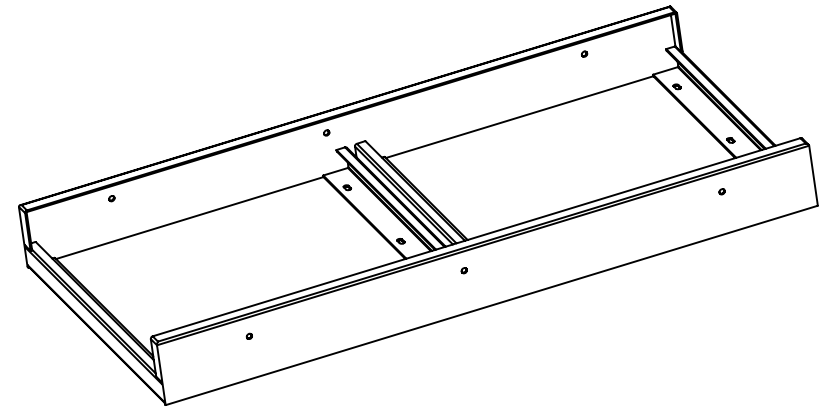
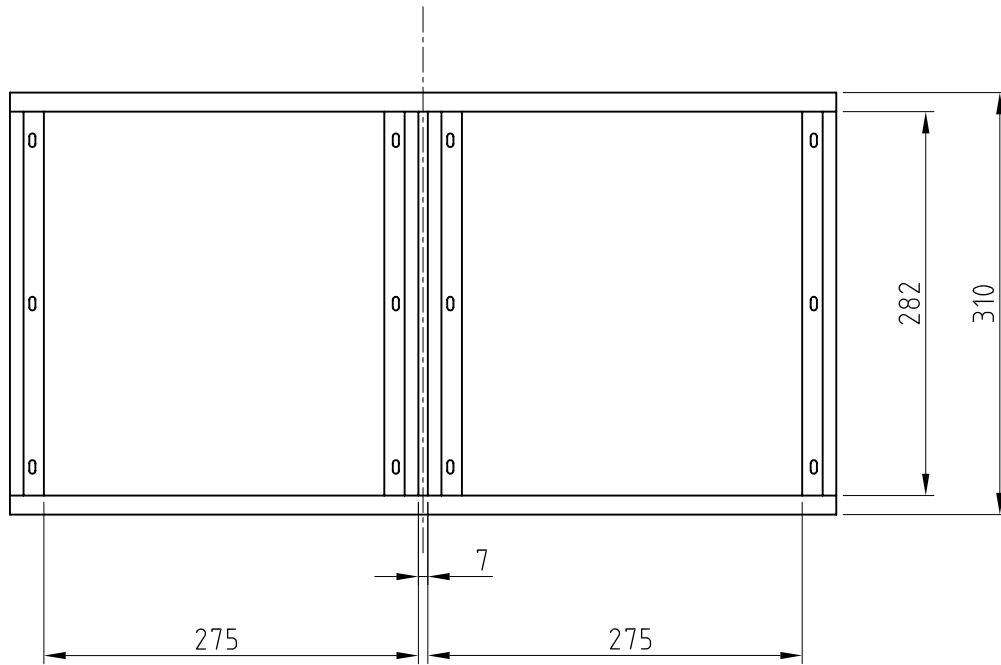
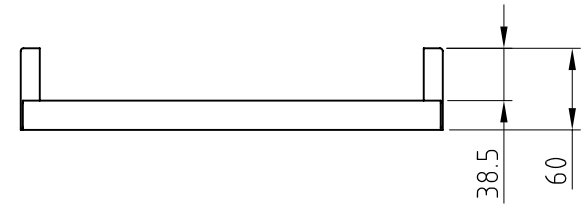
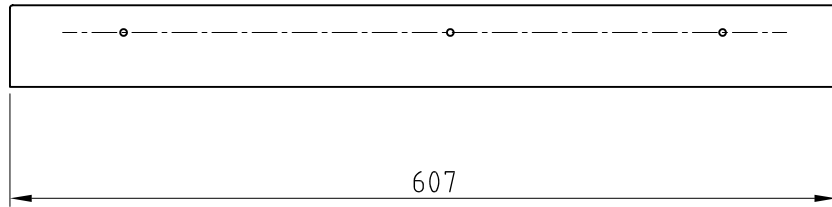
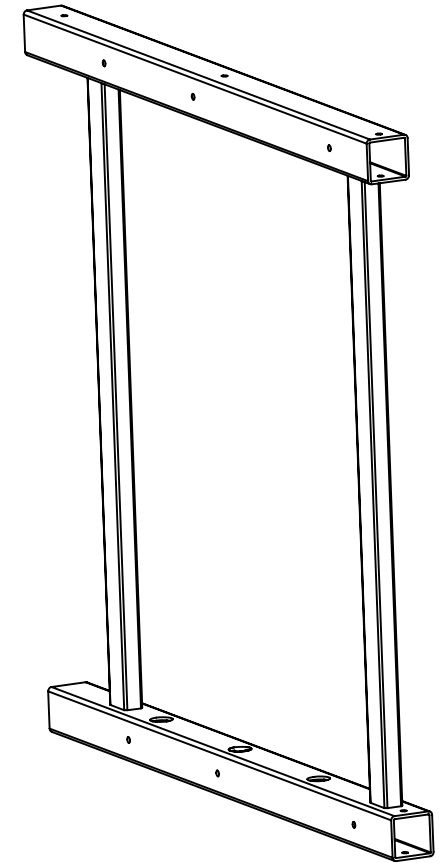
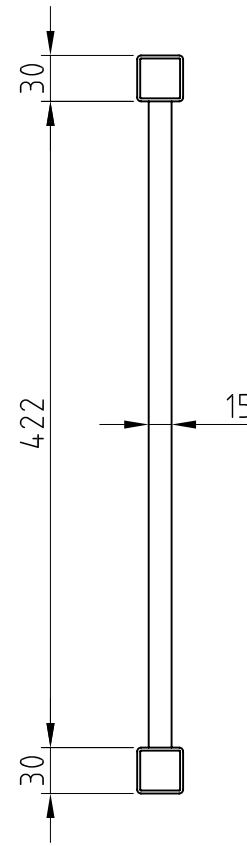
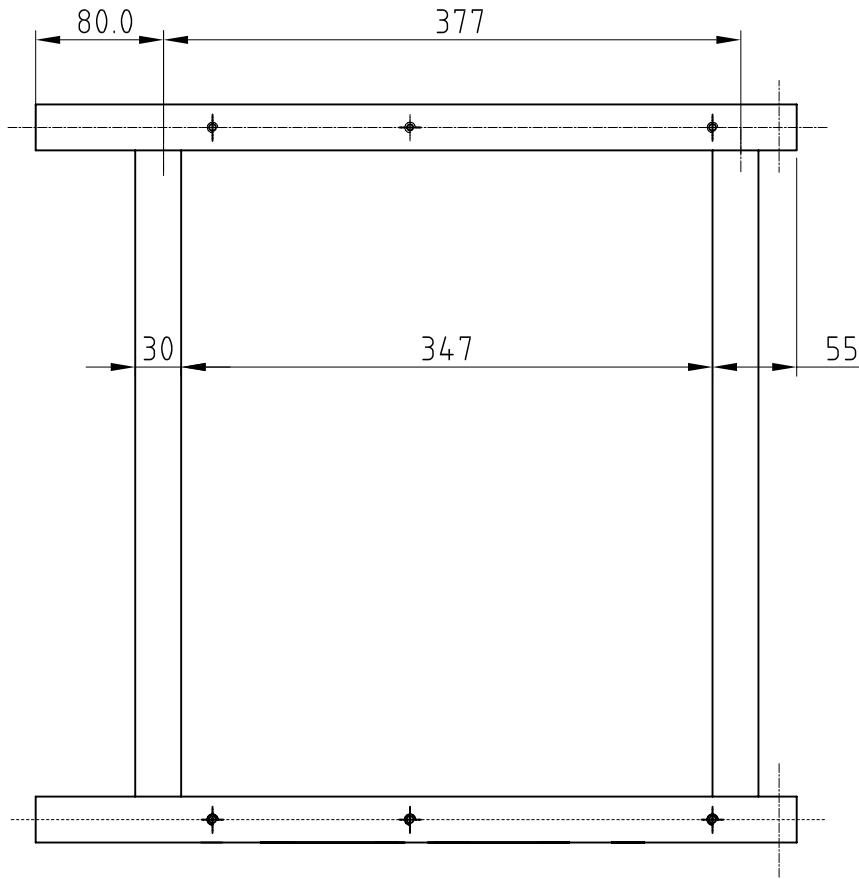


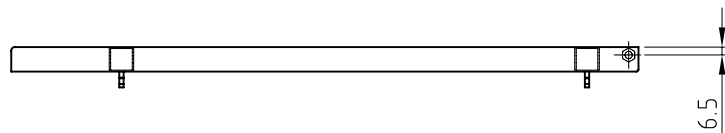
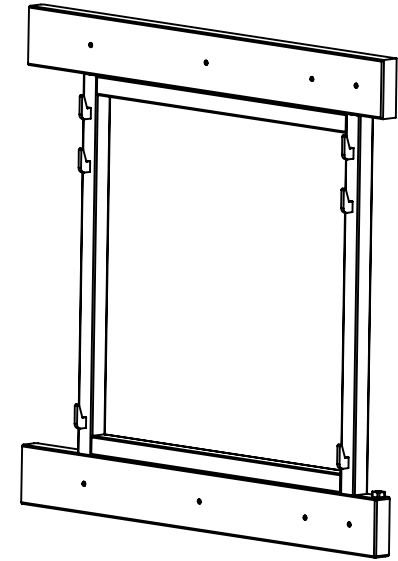
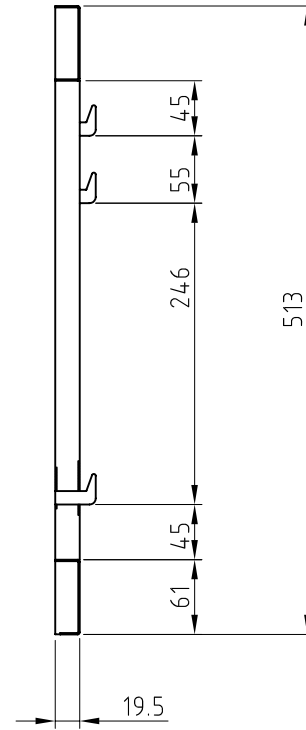
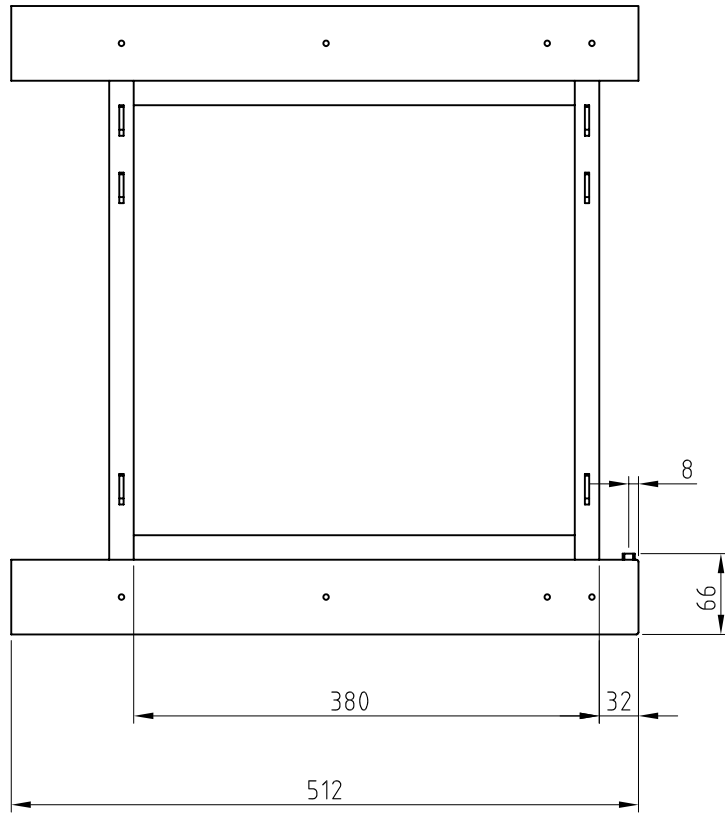
	ITEM#:	CS-SHM		MATERIAL:	
	FINISH:			WEIGHT:	g
<b>PROPRIETARY AND CONFIDENTIAL</b> THE INFORMATION CONTAINED IN THIS DRAWING IS THE SOLE PROPERTY OF HARDWARE RESOURCES INC. ANY REPRODUCTION IN PART OR AS A WHOLE WITHOUT THE WRITTEN PERMISSION OF HARDWARE RESOURCES INC. IS PROHIBITED.	TOLERANCE UNLESS OTHERWISE SPECIFIED:	UNIT:	DRAWN BY:	DATE:	
	X.: MM ±0.20	SIZE:	CHECKED BY:	DATE:	
	X.X: MM ±0.10			DATE:	
	X.XX: MM ±0.05	APPROVED BY:	DATE:		
ANGULAR: ±0.5°	DO NOT SCALE DRAWING				



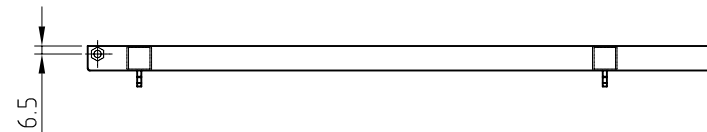
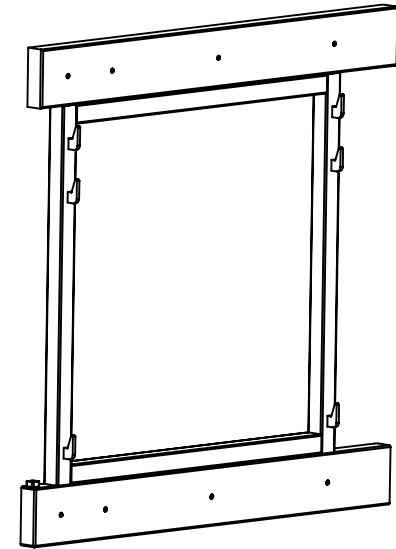
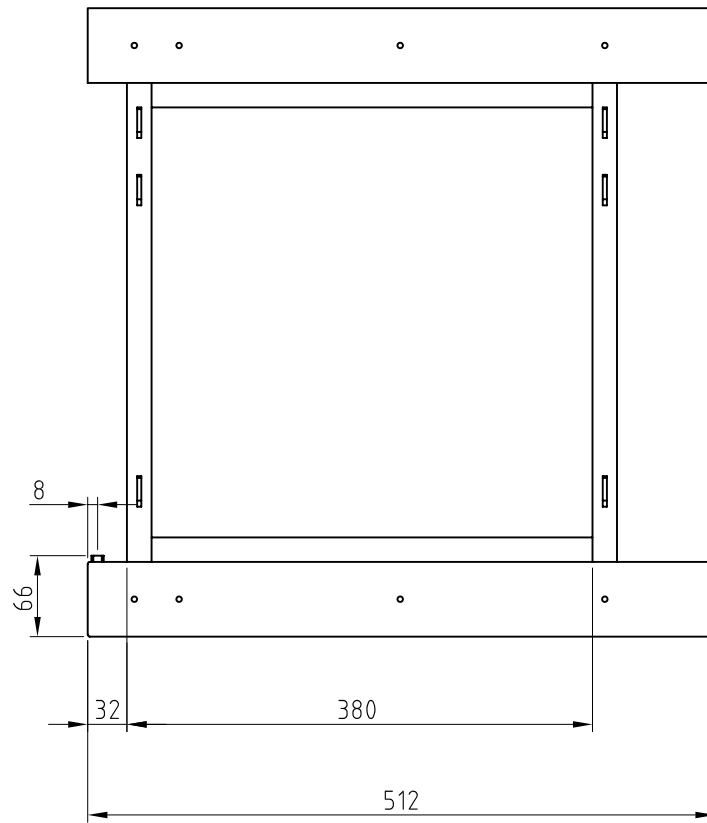
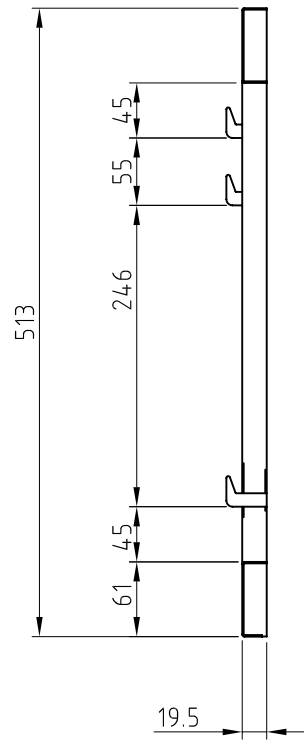
	ITEM#:	CS-SHM FRAME BASE		MATERIAL:
	FINISH:			WEIGHT: g
PROPRIETARY AND CONFIDENTIAL THE INFORMATION CONTAINED IN THIS DRAWING IS THE SOLE PROPERTY OF HARDWARE RESOURCES INC. ANY REPRODUCTION IN PART OR AS A WHOLE WITHOUT THE WRITTEN PERMISSION OF HARDWARE RESOURCES INC. IS PROHIBITED.	TOLERANCE UNLESS OTHERWISE SPECIFIED:	UNIT:	DRAWN BY:	DATE:
	X.: MM ±0.20	SIZE:	<i>alan. bu</i>	
	X.X: MM ±0.10		CHECKED BY:	DATE:
	X.XX: MM ±0.05		APPROVED BY:	DATE:
	ANGULAR: ±0.5°			
	DO NOT SCALE DRAWING			



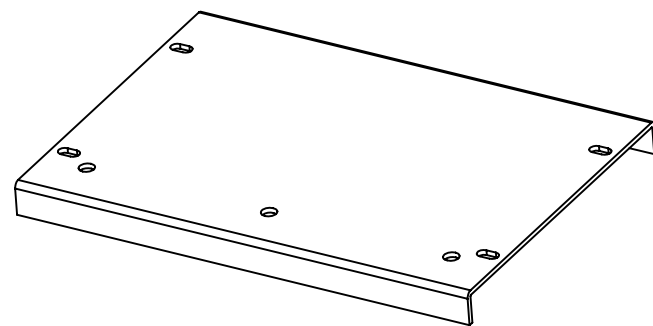
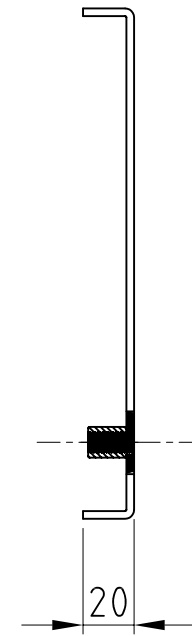
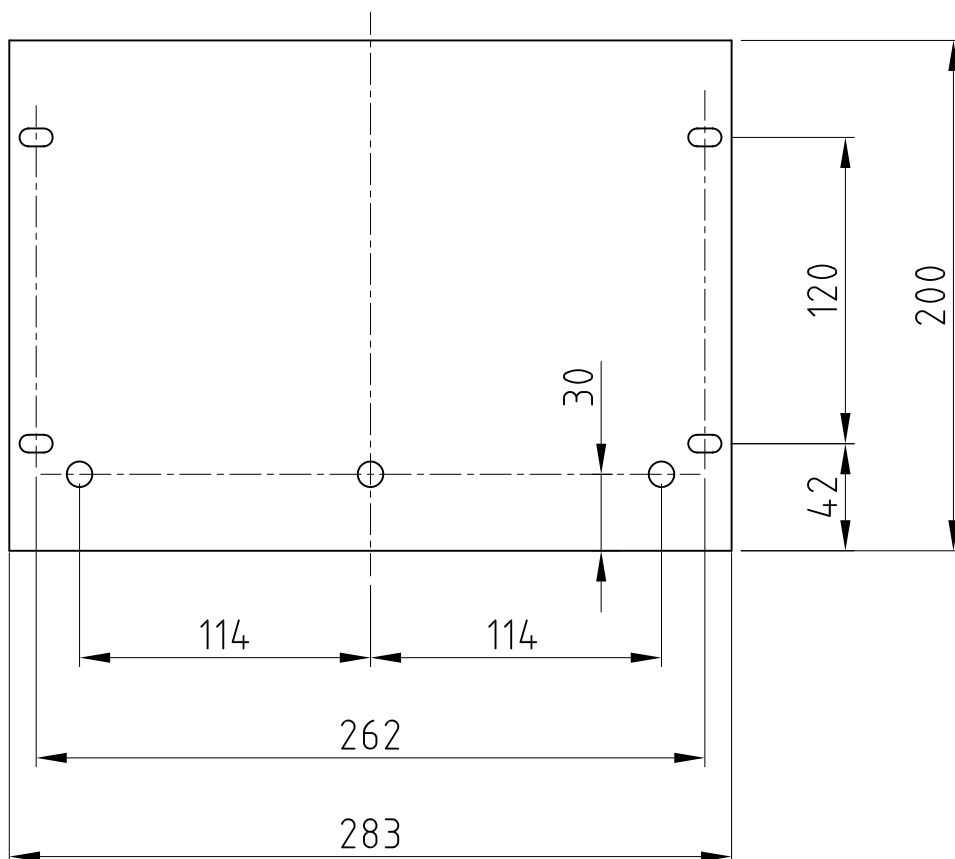
	ITEM#: CS-SHM FRAME MID	MATERIAL:
	FINISH:	WEIGHT: g
PROPRIETARY AND CONFIDENTIAL THE INFORMATION CONTAINED IN THIS DRAWING IS THE SOLE PROPERTY OF HARDWARE RESOURCES INC. ANY REPRODUCTION IN PART OR AS A WHOLE WITHOUT THE WRITTEN PERMISSION OF HARDWARE RESOURCES INC. IS PROHIBITED.	TOLERANCE UNLESS OTHERWISE SPECIFIED: X.: MM ±0.20 X.X: MM ±0.10 X.XX: MM ±0.05 ANGULAR: ±0.5° DO NOT SCALE DRAWING	PROJECTION:
UNIT: SIZE:	DRAWN BY: <i>alan. liew</i> CHECKED BY: APPROVED BY:	DATE: DATE: DATE:



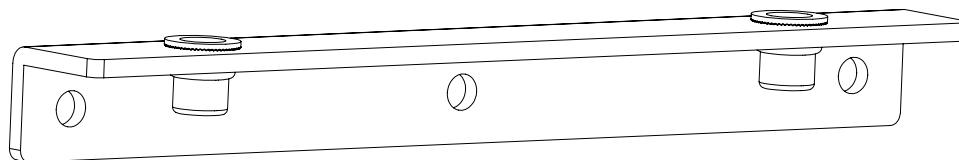
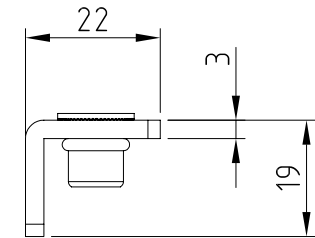
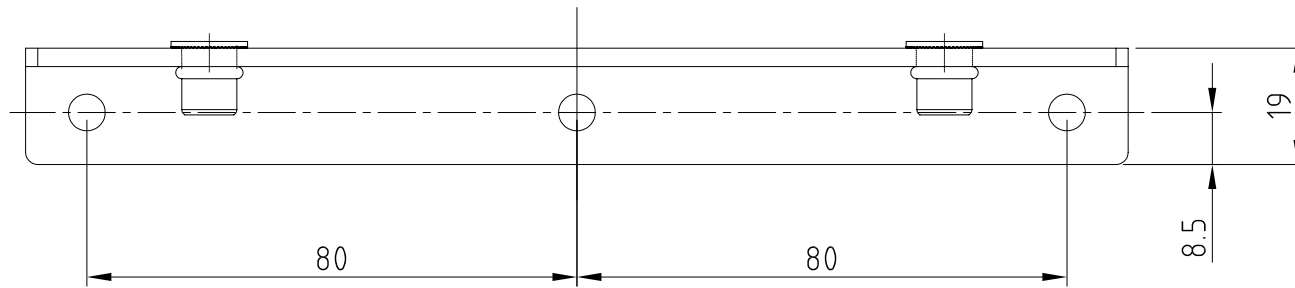
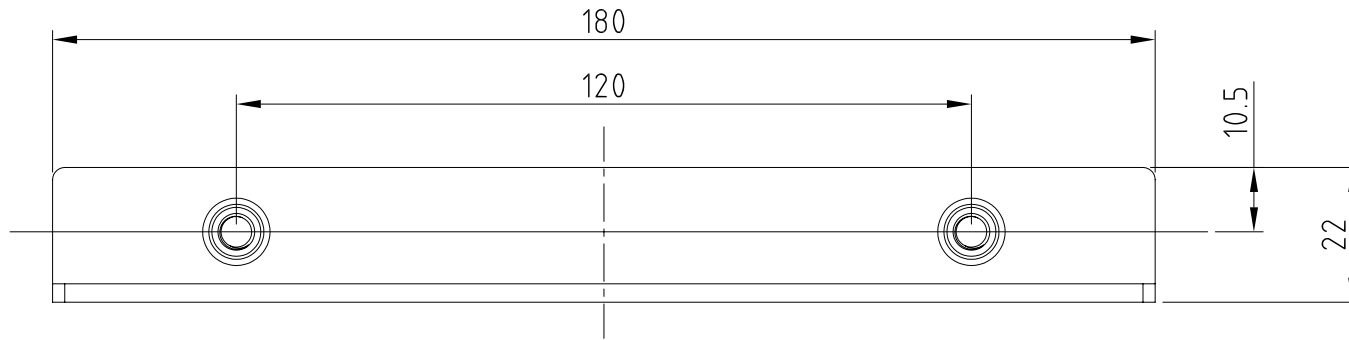
	ITEM#:	CS-SHM FRAME LEFT		MATERIAL:	
	FINISH:			WEIGHT: g	
<b>PROPRIETARY AND CONFIDENTIAL</b> THE INFORMATION CONTAINED IN THIS DRAWING IS THE SOLE PROPERTY OF HARDWARE RESOURCES INC. ANY REPRODUCTION IN PART OR AS A WHOLE WITHOUT THE WRITTEN PERMISSION OF HARDWARE RESOURCES INC. IS PROHIBITED.	TOLERANCE UNLESS OTHERWISE SPECIFIED:		UNIT:	DRAWN BY:	DATE:
	X.: MM ±0.20		SIZE:	CHECKED BY:	DATE:
	X.X: MM ±0.10				
	X.XX: MM ±0.05		APPROVED BY:		DATE:
ANGULAR: ±0.5°		DO NOT SCALE DRAWING			



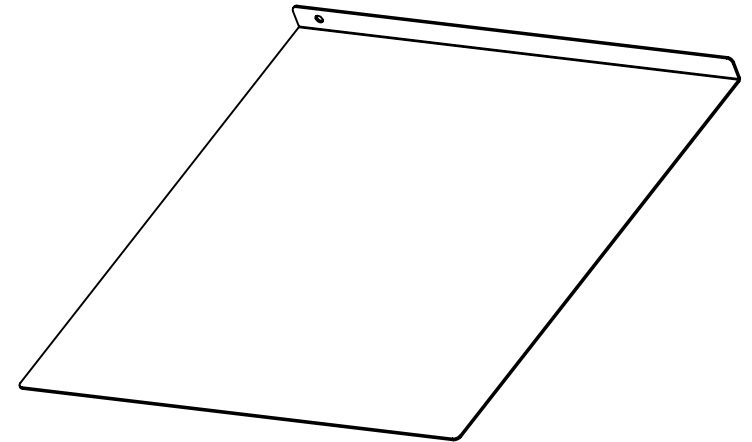
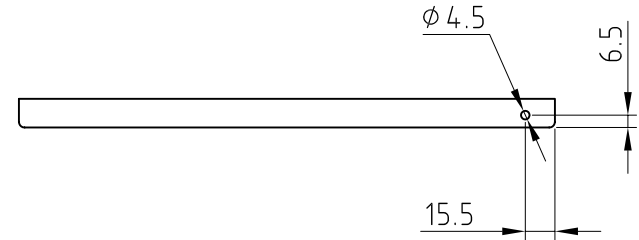
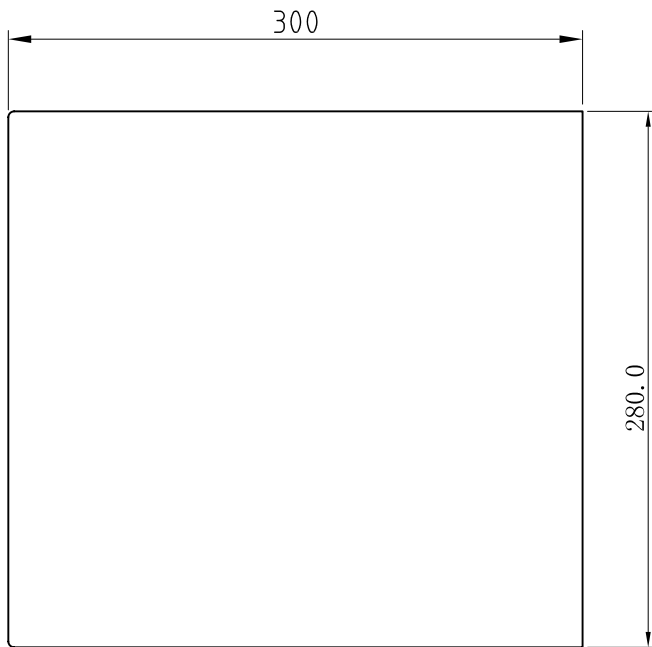
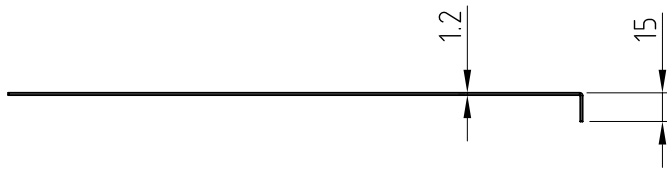
	ITEM#:	CS-SHM FRAME RIGHT		MATERIAL:
	FINISH:			WEIGHT: g
<b>PROPRIETARY AND CONFIDENTIAL</b> THE INFORMATION CONTAINED IN THIS DRAWING IS THE SOLE PROPERTY OF HARDWARE RESOURCES INC. ANY REPRODUCTION IN PART OR AS A WHOLE WITHOUT THE WRITTEN PERMISSION OF HARDWARE RESOURCES INC. IS PROHIBITED.	PROJECTION:			
	TOLERANCE UNLESS OTHERWISE SPECIFIED:	UNIT:	DRAWN BY:	DATE:
	X.: MM ±0.20	SIZE:	CHECKED BY:	DATE:
	X.X: MM ±0.10			
X.XX: MM ±0.05	APPROVED BY:		DATE:	
ANGULAR: ±0.5°	DO NOT SCALE DRAWING			



	ITEM#: CS-SHM SLIDE BOARD	MATERIAL:		
	FINISH:	WEIGHT: g		
<b>PROPRIETARY AND CONFIDENTIAL</b> THE INFORMATION CONTAINED IN THIS DRAWING IS THE SOLE PROPERTY OF HARDWARE RESOURCES INC. ANY REPRODUCTION IN PART OR AS A WHOLE WITHOUT THE WRITTEN PERMISSION OF HARDWARE RESOURCES INC. IS PROHIBITED.	TOLERANCE UNLESS OTHERWISE SPECIFIED:	UNIT:	DRAWN BY: <i>alan. bu</i>	DATE:
	X.: MM ±0.20	SIZE:	CHECKED BY:	DATE:
	X.X: MM ±0.10		APPROVED BY:	DATE:
	X.XX: MM ±0.05			
ANGULAR: ±0.5°	DO NOT SCALE DRAWING			

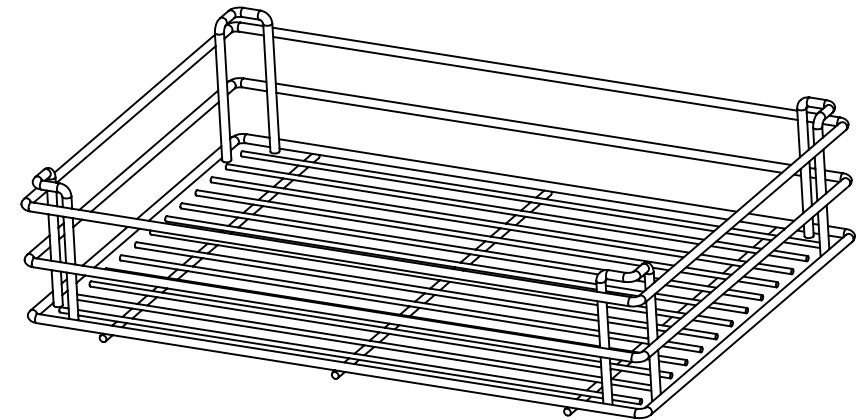
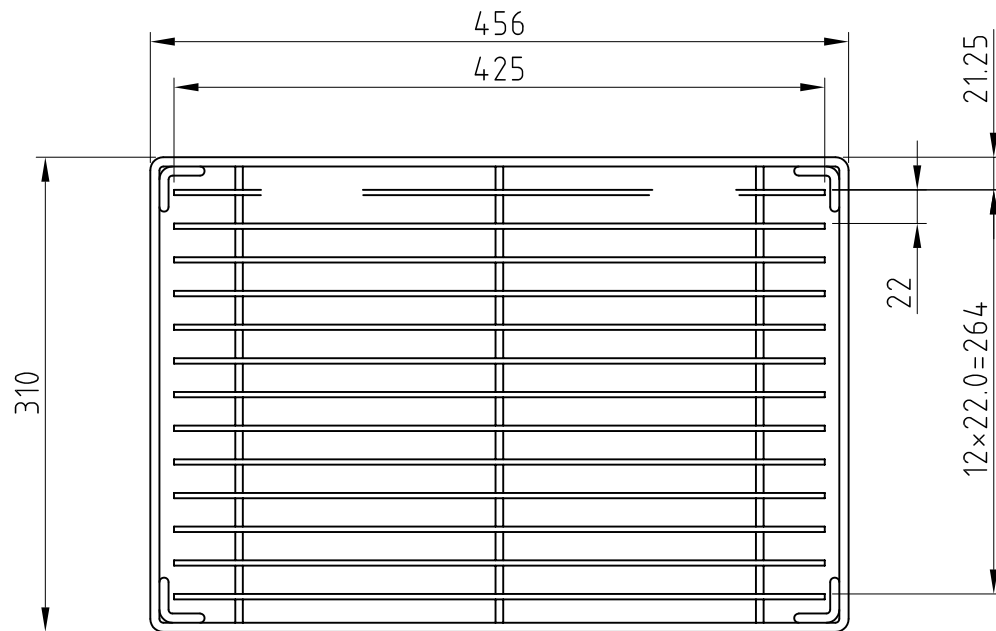
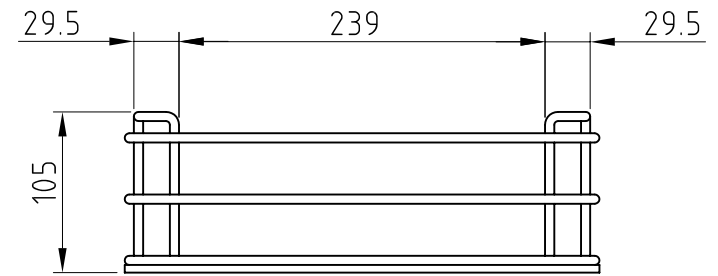
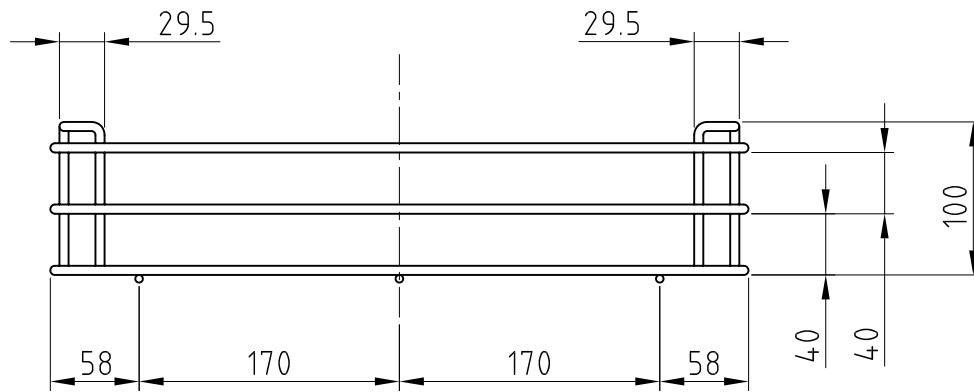


	ITEM#:	CS-SHM SLIDE BAR		MATERIAL:	
	FINISH:			WEIGHT: <span style="float: right;">g</span>	
<b>PROPRIETARY AND CONFIDENTIAL</b> THE INFORMATION CONTAINED IN THIS DRAWING IS THE SOLE PROPERTY OF HARDWARE RESOURCES INC. ANY REPRODUCTION IN PART OR AS A WHOLE WITHOUT THE WRITTEN PERMISSION OF HARDWARE RESOURCES INC. IS PROHIBITED.	TOLERANCE UNLESS OTHERWISE SPECIFIED:		UNIT:	DRAWN BY:	DATE:
	X.: MM ±0.20		SIZE:	<i>alan. bu</i>	
	X.X: MM ±0.10				
	X.XX: MM ±0.05		CHECKED BY:	DATE:	
ANGULAR: ±0.5°		APPROVED BY:	DATE:		
DO NOT SCALE DRAWING					

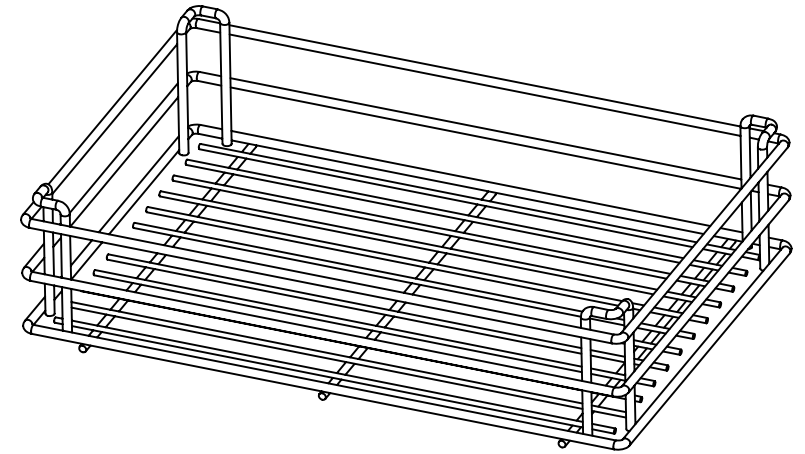
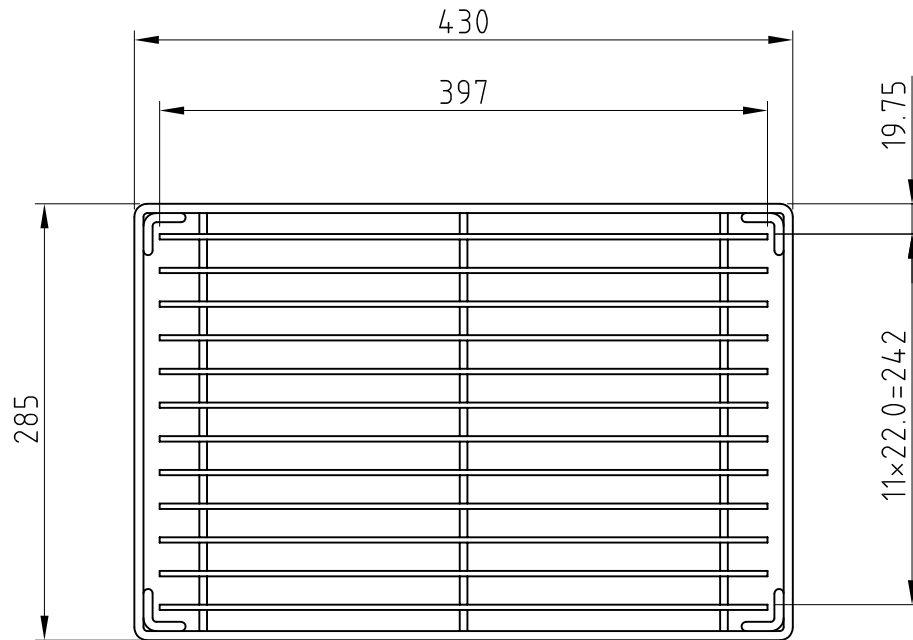
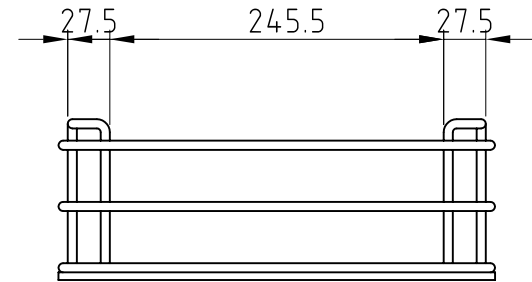
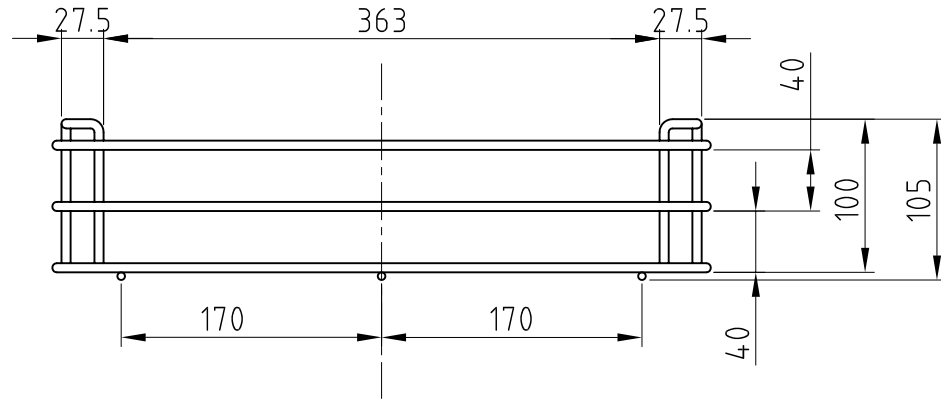


	ITEM#: CS-SHM BASE COVER		MATERIAL:		
	FINISH:		WEIGHT: g		
<b>PROPRIETARY AND CONFIDENTIAL</b> THE INFORMATION CONTAINED IN THIS DRAWING IS THE SOLE PROPERTY OF HARDWARE RESOURCES INC. ANY REPRODUCTION IN PART OR AS A WHOLE WITHOUT THE WRITTEN PERMISSION OF HARDWARE RESOURCES INC. IS PROHIBITED.	TOLERANCE UNLESS OTHERWISE SPECIFIED:		UNIT:	DRAWN BY: <i>alan. liu</i>	DATE:
	X.: MM $\pm 0.20$		SIZE:	CHECKED BY:	DATE:
	X.X: MM $\pm 0.10$			APPROVED BY:	DATE:
	X.XX: MM $\pm 0.05$				
ANGULAR: $\pm 0.5^\circ$		DO NOT SCALE DRAWING			





	ITEM#:	CS-SHM BASKET LARGE		MATERIAL:
	FINISH:			WEIGHT: g
<b>PROPRIETARY AND CONFIDENTIAL</b> THE INFORMATION CONTAINED IN THIS DRAWING IS THE SOLE PROPERTY OF HARDWARE RESOURCES INC. ANY REPRODUCTION IN PART OR AS A WHOLE WITHOUT THE WRITTEN PERMISSION OF HARDWARE RESOURCES INC. IS PROHIBITED.	TOLERANCE UNLESS OTHERWISE SPECIFIED:	UNIT:	DRAWN BY:	DATE:
	X: MM ±0.20	SIZE:	<i>alan. bu</i>	DATE:
	X.X: MM ±0.10			
	X.XX: MM ±0.05	CHECKED BY:	DATE:	
ANGULAR: ±0.5°	APPROVED BY:	DATE:		
DO NOT SCALE DRAWING				



	ITEM#: CS-SHM BASKET SMALL	MATERIAL:
	FINISH:	WEIGHT: g
<b>PROPRIETARY AND CONFIDENTIAL</b> THE INFORMATION CONTAINED IN THIS DRAWING IS THE SOLE PROPERTY OF HARDWARE RESOURCES INC. ANY REPRODUCTION IN PART OR AS A WHOLE WITHOUT THE WRITTEN PERMISSION OF HARDWARE RESOURCES INC. IS PROHIBITED.	TOLERANCE UNLESS OTHERWISE SPECIFIED: X.: MM ±0.20 X.X: MM ±0.10 X.XX: MM ±0.05 ANGULAR: ±0.5° DO NOT SCALE DRAWING	PROJECTION:
	UNIT:	DRAWN BY: <i>alan.biu</i>
	SIZE:	CHECKED BY:
		APPROVED BY:
		DATE: