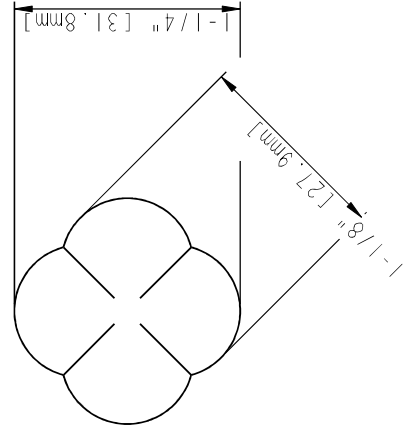
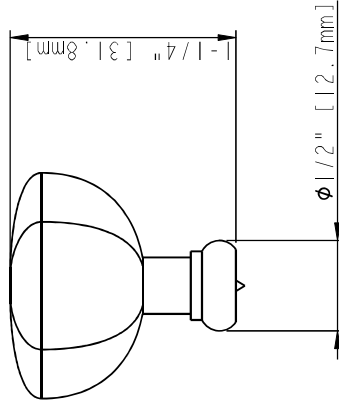
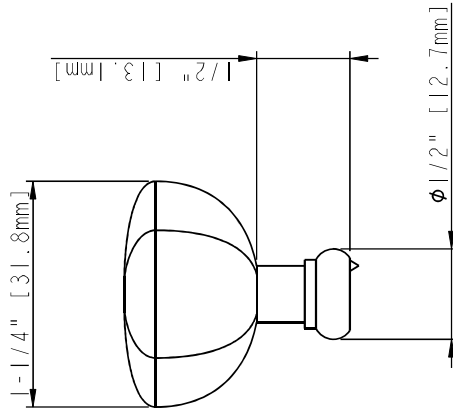
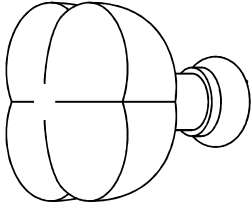
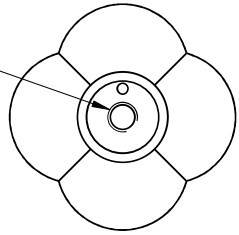


8-32 UNC - ∇ 1/2" [12.7mm]



ACCESSORY:
 SCREW: 8-32X1" 1 PCS
 BREAK AWAY SCREW: 8-32x45 1 PCS
 ALL SCREW MATERIAL: STEEL-SAE1006

hardware resources		ITEM:	686	MATERIAL:	Zamak 3
SUBJECT AND CONFIDENTIAL		WEIGHT:	65.8 GRAM/0.145 LBS	PROJECTION:	
THE INFORMATION CONTAINED IN THIS DRAWING IS THE SOLE PROPERTY OF HARDWARE RESOURCES INC. ANY REPRODUCTION IN PART OR AS A WHOLE WITHOUT THE WRITTEN PERMISSION OF HARDWARE RESOURCES INC. IS PROHIBITED.		UNITS:		DATE:	
		TOLERANCE UNLESS OTHERWISE SPECIFIED:		DATE:	
		± .0020		RELEASE LEVEL:	
		± .0015		REVISION:	
		± .0010			
		ANGULAR: ±0.5°			
		DO NOT SCALE DRAWING			