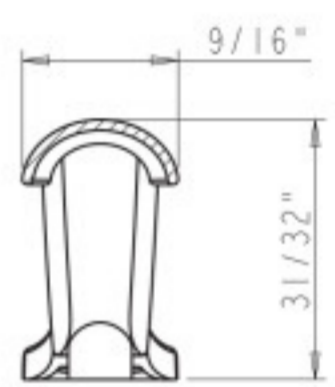
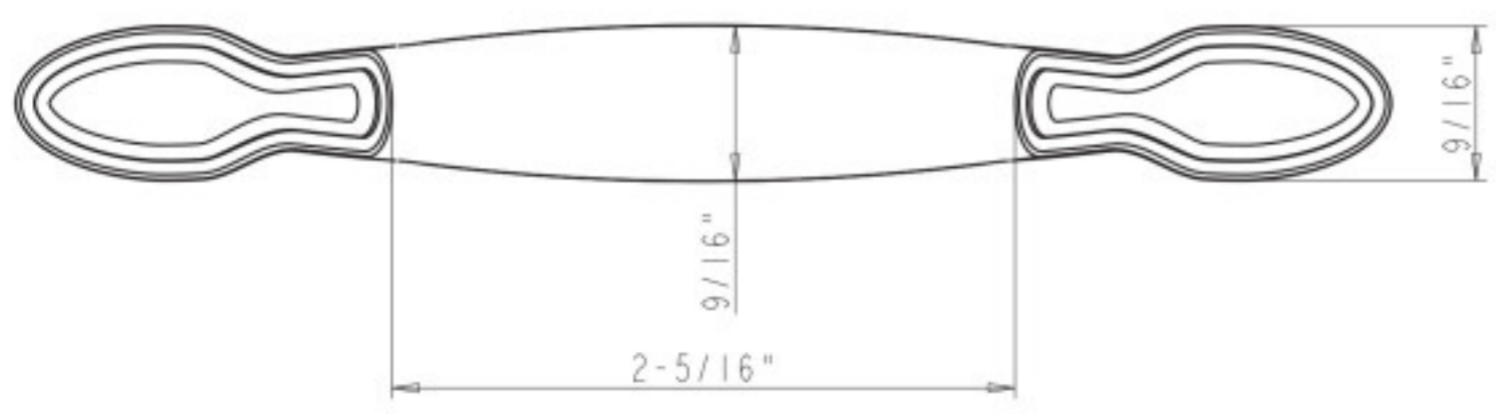


SECTION A-A



SECTION B-B



NOTES:

1. ACCESSORY:
  - SCREW: 8-32X1" 2 PCS
  - 8-32X7/8" 2 PCS
  - BREAK AWAY SCREW: 8-32X45mm 2 PCS
2. FINISH: DBAC\PBM\PCM\SB\SN