

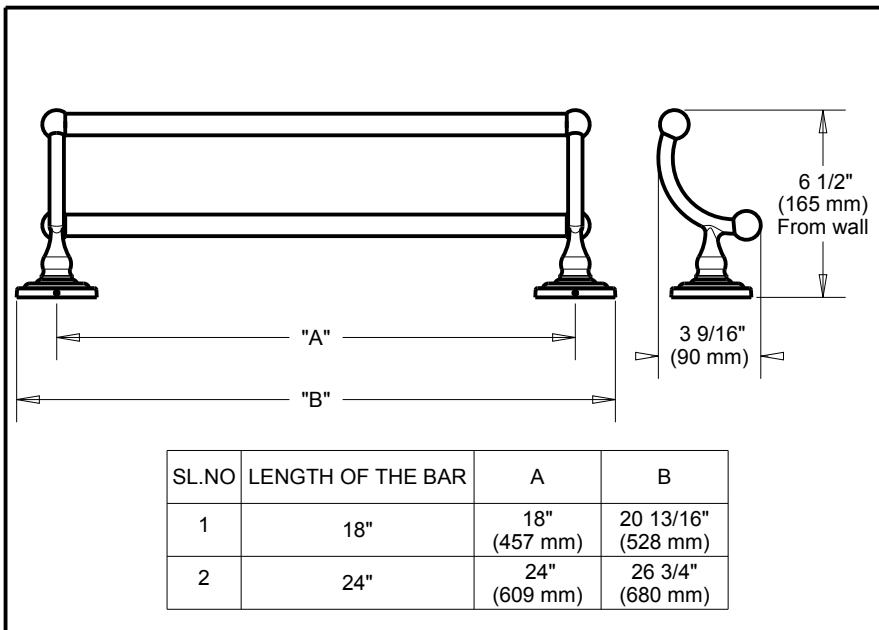
DELTA[®]

ACCESSORIES

- Greenwich™ Bath Collection
- Double Towel bar

Submitted Model No.: _____

Specific Features: _____



STANDARD SPECIFICATIONS:

- Mounting hardware and mounting template included with product.

WARRANTY

- If you have any questions or concerns regarding technical support, installation or our warranty, please contact us at 1-800-635-2731 or visit our website at www.libertyhardware.com.