

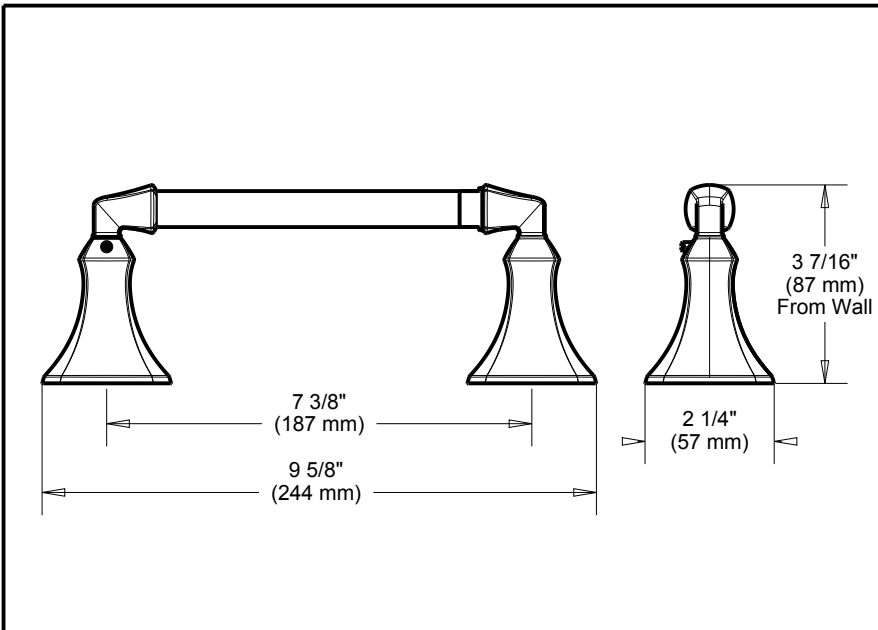
# DELTA<sup>®</sup>

## ACCESSORIES

- Mandara™ Bath Collection
- Pivoting Tissue Paper Holder

Submitted Model No.: \_\_\_\_\_

Specific Features: \_\_\_\_\_



### STANDARD SPECIFICATIONS:

- Mounting hardware and mounting template included with product.

### WARRANTY

- If you have any questions or concerns regarding technical support, installation or our warranty, please contact us at 1-800-635-2731 or visit our website at [www.libertyhardware.com](http://www.libertyhardware.com).