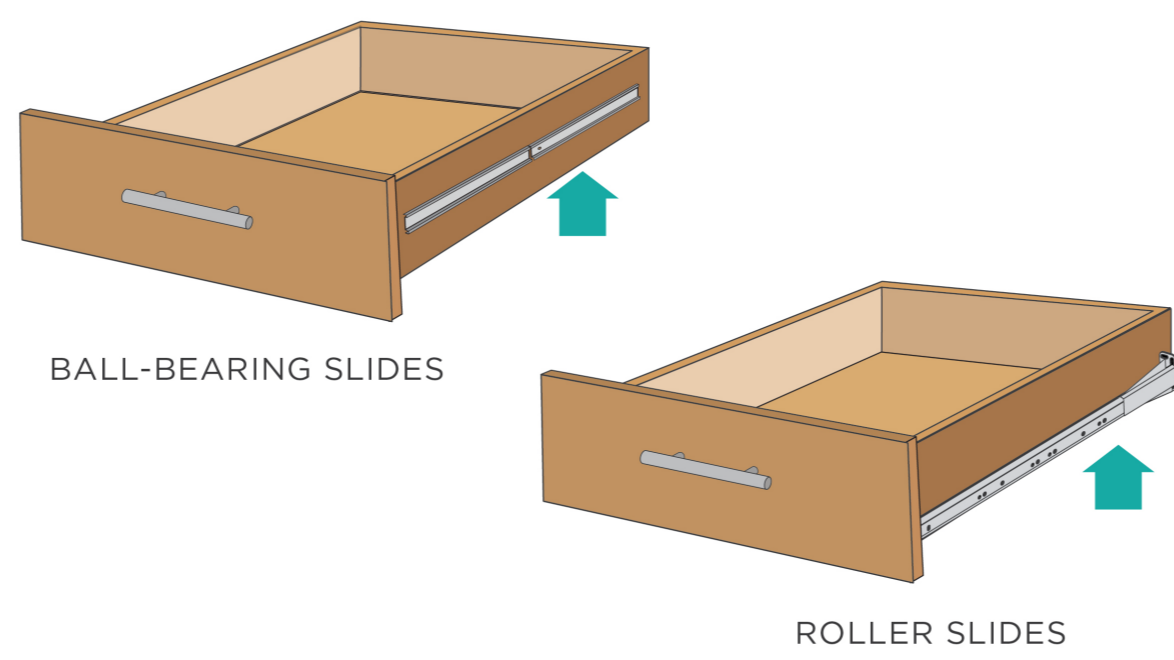


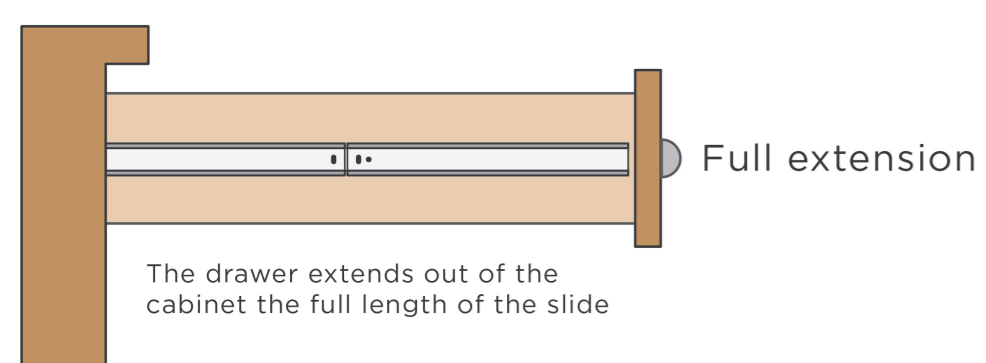
STEP

1

DETERMINE YOUR TYPE OF **DRAWER SLIDE****BALL-BEARING**

Mounted on the side of the drawer. Mounting Accessory (item #D688SEE-W-CP) required for mounting slides in face-frame cabinets.

Professional-grade construction with a smooth glide.



▶ self-close & standard close available

**SOFT-CLOSE vs SELF-CLOSE**▶ **SOFT-CLOSE** //

Engages to slowly pull the drawer closed & help prevent slamming. Also helps prevent the drawer from opening again due to bumps or jostling once closed.

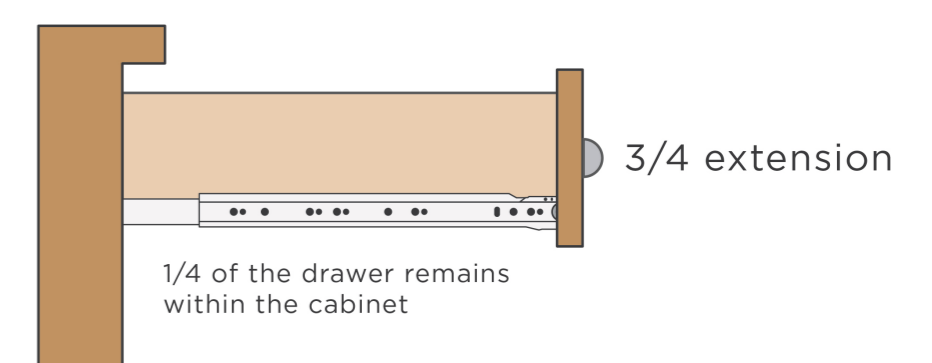
▶ **SELF-CLOSE** //

Helps prevent the drawer from opening again due to bumps or jostling once closed.

**ROLLER SLIDES**

Mounted on the bottom corner of the drawer. Mounting Accessory (item #D688SEE-W-CP) required for mounting slides in face-frame cabinets.

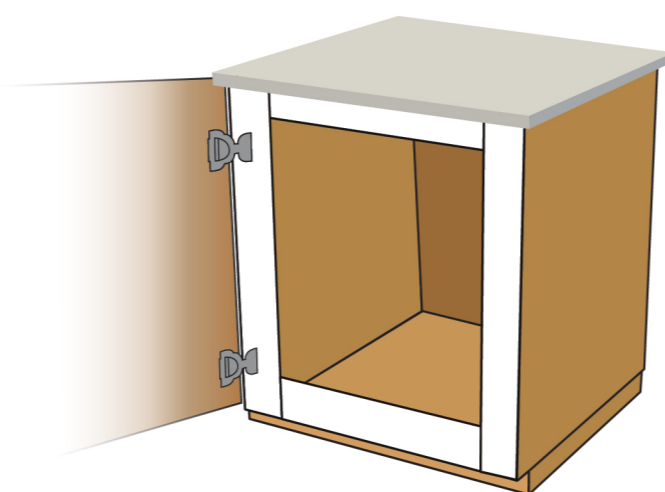
Painted, metal frame with a roller wheel that moves the drawer when pushed.



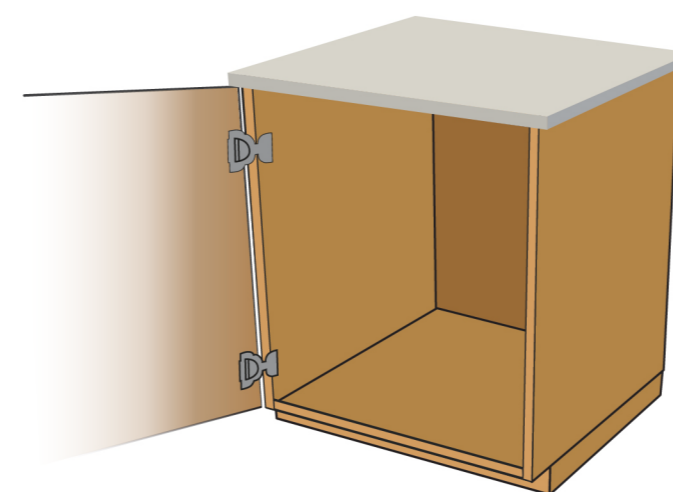
▶ self-close only

STEP

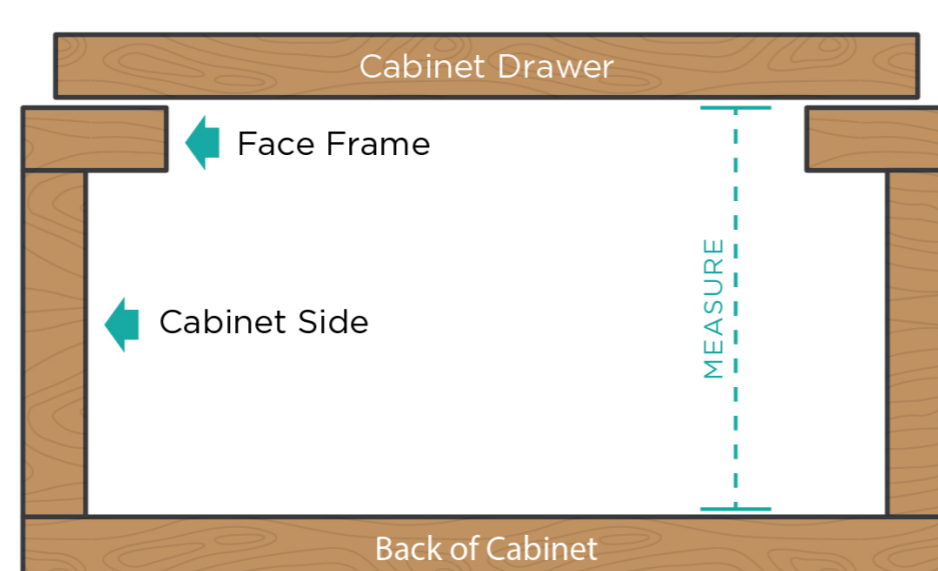
2

WHAT TYPE OF **CABINET** DO YOU HAVE?**FACE FRAME**

Cabinet box has a frame around the opening to which hinges are attached. Most common in USA.

**FRAMELESS**

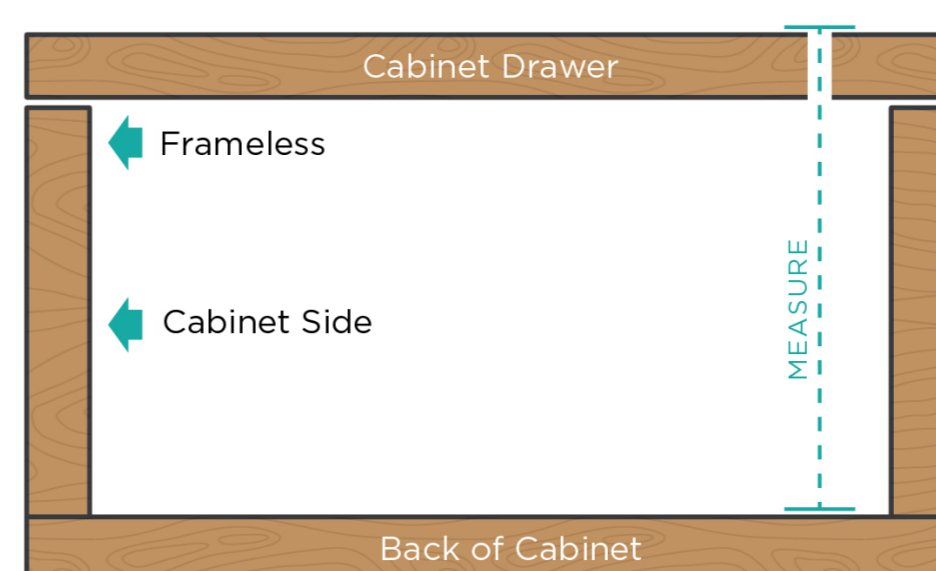
Cabinet box doesn't have a frame and hinges are attached to inside of cabinet box.

**MEASURING YOUR SLIDE LENGTH**

Top view of cabinet

**FACE FRAME CABINET DRAWERS**

Measure the depth of the entire cabinet, from the exterior face frame edge to the very back of the cabinet wall. This measurement is the length of the drawer slide you need.



Top view of cabinet

**FRAMELESS CABINET DRAWERS**

Measure the length of your cabinet drawer from front to back. This measurement is the drawer slide length you will need

If there is not a slide length that exactly matches your cabinet depth, round down to the nearest inch available (21" would round down to 20")