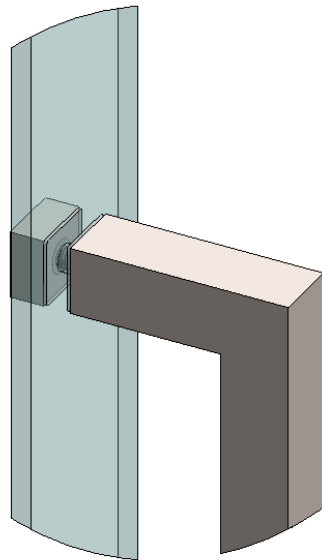
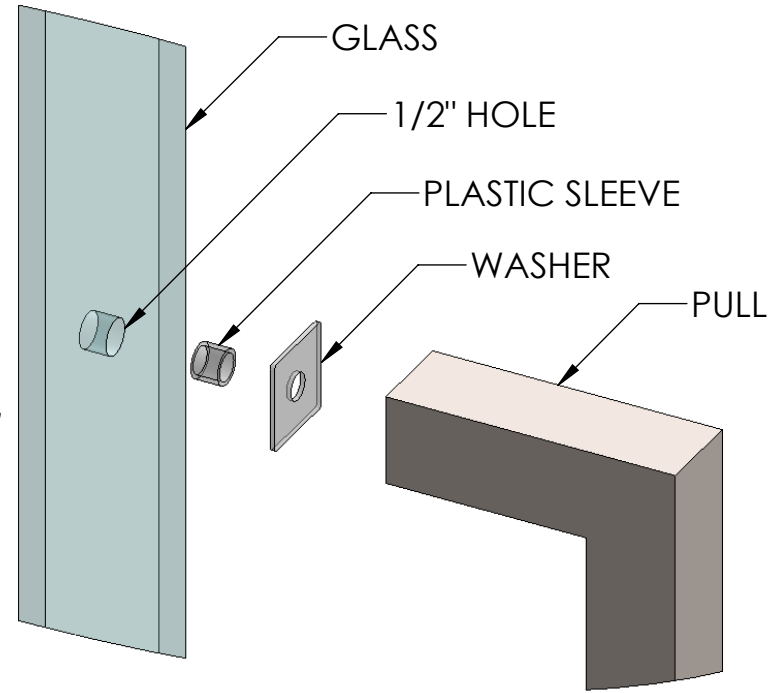
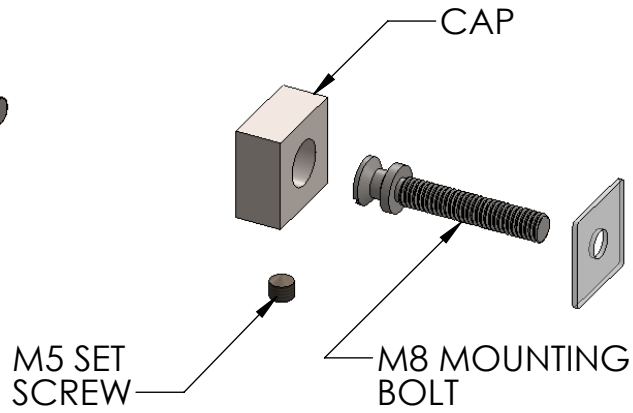
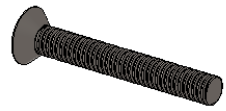


ALTERNATE MOUNTING  
OPTION WITHOUT CAP



SolidWorks Student Edition.  
For Academic Use Only.

THROUGH BOLT GLASS MTG

Linnea®