



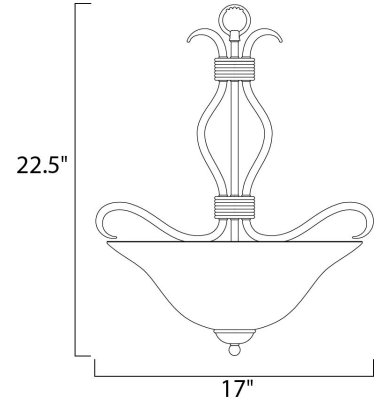
Lighting Your Life Since 1970

Product Specifications - 10121ICOI

Job Name:	Job Type:
Quantity:	Comments:



**10121ICOI**  
Basix 3-Light Invert Bowl Pendant



**Finish**

Oil Rubbed Bronze

**Glass/Shade**

Ice

**Product Category**

Invert Bowl Pendant

**Lamping**

<b>Number of Bulbs</b>	3
<b>Light Type</b>	Incandescent
<b>Bulb Type</b>	MB
<b>Max Bulb Wattage</b>	100
<b>Max Fixture Wattage</b>	300
<b>Rated Life</b>	±2,500 Hours
<b>Rated Lumens</b>	±3,450
<b>Color Temp</b>	±2,700 K
<b>Bulb(s)</b>	Not Included
<b>Light Up/Down</b>	N/A
<b>Beam Spread</b>	N/A
<b>CRI</b>	N/A
<b>Photo Cell Included</b>	N/A
<b>Ballast/Driver/Transformer</b>	No
<b>Dimmable</b>	Standard Dimmer

**Measurements**

<b>Width</b>	17.00"
<b>Height</b>	22.50"
<b>Length</b>	N/A
<b>Extension</b>	N/A
<b>Back Plate Width</b>	N/A
<b>Back Plate Height</b>	N/A
<b>HCO</b>	N/A
<b>Min Overall Height</b>	0.00"
<b>Max Overall Height</b>	22.55"
<b>Hanging Weight</b>	7.06 lbs
<b>Height Adjustable</b>	N/A
<b>Slope</b>	N/A
<b>Chain Length</b>	36"
<b>Wire Length</b>	180"
<b>Canopy Width</b>	N/A
<b>Canopy Height</b>	N/A
<b>Canopy Length</b>	N/A

**Shipping**

<b>Carton Weight</b>	9.48 lbs
<b>Carton Width</b>	19"
<b>Carton Height</b>	12"
<b>Carton Length</b>	19"
<b>Carton Cubic Feet</b>	2.53
<b>Master Pack</b>	1
<b>Master Pack Weight</b>	N/A
<b>Master Pack Width</b>	N/A
<b>Master Pack Height</b>	N/A
<b>Master Pack Length</b>	N/A
<b>Master Cubic Feet</b>	N/A
<b>UPS Shippable</b>	Yes

**Certification**

<b>Safety Rating</b>	Dry
<b>Energy Star</b>	No
<b>CA Title 24</b>	No
<b>CA Title 20</b>	No
<b>ADA</b>	No
<b>Dark Sky</b>	N/A

**Other**

<b>UPC Code</b>	783209085985
<b>Shades Included</b>	N/A
<b>Crystals Included</b>	N/A
<b>Diffuser Included</b>	N/A
<b>Conversion Kit</b>	N/A
<b>Material</b>	Iron

**Equivalents**

<b>Incandescent Watts</b>	N/A
<b>Fluorescent Watts</b>	N/A

Maxim Lighting International and all designs, logos and images © 2015 Maxim Lighting International. All Rights Reserved. Maxim Lighting International reserves the right, at any time, to make changes in the design and/or construction of the product including the discontinuation of product without prior notice. Color may vary from what is pictured above due to limitations inherent to photographic processes.

Always consult a qualified, licensed electrician before installation of any product weighing 35 pounds or more. We recommend that a qualified, licensed electrician do the installation. Always install to a mechanically sound structure.