



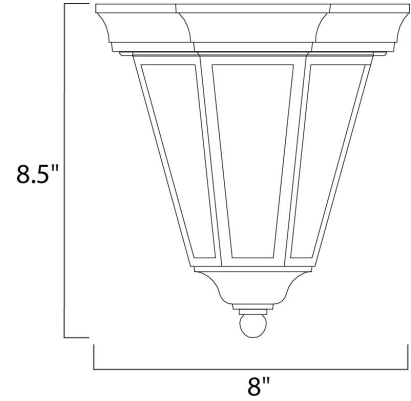
Lighting Your Life Since 1970

Product Specifications - 1027EB

Job Name:	Job Type:
Quantity:	Comments:



**1027EB**  
Westlake Cast 1-Light Outdoor Ceiling Mount



**Finish**  
Empire Bronze

**Glass/Shade**  
Clear

**Product Category**  
Outdoor Ceiling Mount

**Lamping**

Number of Bulbs	1
Light Type	Incandescent
Bulb Type	MB
Max Bulb Wattage	100
Max Fixture Wattage	100
Rated Life	±2,500 Hours
Rated Lumens	±1,150
Color Temp	±2,700 K
Bulb(s)	Not Included
Light Up/Down	N/A
Beam Spread	N/A
CRI	N/A
Photo Cell Included	N/A
Ballast/Driver/Transformer	No
Dimmable	Standard

**Measurements**

Width	8.00"
Height	8.50"
Length	N/A
Extension	N/A
Back Plate Width	N/A
Back Plate Height	N/A
HCO	N/A
Min Overall Height	0.00"
Max Overall Height	N/A
Hanging Weight	2.42 lbs
Height Adjustable	N/A
Slope	N/A
Chain Length	N/A
Wire Length	N/A
Canopy Width	9.00"
Canopy Height	1.18"
Canopy Length	1.18"

**Shipping**

Carton Weight	2.86 lbs
Carton Width	11"
Carton Height	9"
Carton Length	11"
Carton Cubic Feet	0.62
Master Pack	8
Master Pack Weight	22.88 lbs
Master Pack Width	11.02"
Master Pack Height	20.07"
Master Pack Length	22.04"
Master Cubic Feet	2.82
UPS Shippable	Yes

**Certification**

Safety Rating	Damp
Energy Star	No
CA Title 24	No
CA Title 20	No
ADA	No
Dark Sky	N/A

**Other**

UPC Code	783209102767
Shades Included	N/A
Crystals Included	N/A
Diffuser Included	N/A
Conversion Kit	N/A
Material	Die Cast Aluminum

**Equivalents**

Incandescent Watts	N/A
Fluorescent Watts	N/A

Maxim Lighting International and all designs, logos and images © 2015 Maxim Lighting International. All Rights Reserved. Maxim Lighting International reserves the right, at any time, to make changes in the design and/or construction of the product including the discontinuation of product without prior notice. Color may vary from what is pictured above due to limitations inherent to photographic processes.

Always consult a qualified, licensed electrician before installation of any product weighing 35 pounds or more. We recommend that a qualified, licensed electrician do the installation. Always install to a mechanically sound structure.