



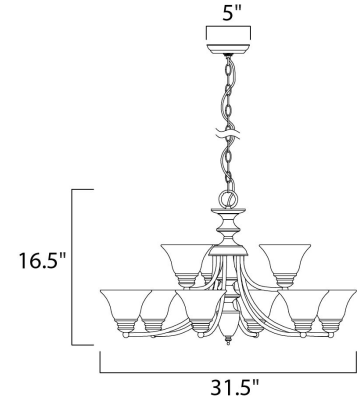
Lighting Your Life Since 1970

Product Specifications - 2685FTSN

Job Name:	Job Type:
Quantity:	Comments:



**2685FTSN**  
Malaga 9-Light Chandelier



**Finish**  
Satin Nickel

**Glass/Shade**  
Frosted

**Product Category**  
Multi-Tier Chandelier

**Lamping**

Number of Bulbs	9
Light Type	Incandescent
Bulb Type	MB
Max Bulb Wattage	60
Max Fixture Wattage	540
Rated Life	±2,500 Hours
Rated Lumens	±6,048
Color Temp	±2,700 K
Bulb(s)	Not Included
Light Up/Down	N/A
Beam Spread	N/A
CRI	N/A
Photo Cell Included	N/A
Ballast/Driver/Transformer	No
Dimmable	Standard

**Measurements**

Width	31.50"
Height	16.50"
Length	N/A
Extension	N/A
Back Plate Width	N/A
Back Plate Height	N/A
HCO	N/A
Min Overall Height	0.00"
Max Overall Height	N/A
Hanging Weight	16.56 lbs
Height Adjustable	N/A
Slope	N/A
Chain Length	72"
Wire Length	180"
Canopy Width	N/A
Canopy Height	N/A
Canopy Length	N/A

**Shipping**

Carton Weight	19.44 lbs
Carton Width	15"
Carton Height	11"
Carton Length	32"
Carton Cubic Feet	2.82
Master Pack	1
Master Pack Weight	N/A
Master Pack Width	N/A
Master Pack Height	N/A
Master Pack Length	N/A
Master Cubic Feet	N/A
UPS Shippable	Yes

**Certification**

Safety Rating	Dry
Energy Star	No
CA Title 24	No
CA Title 20	No
ADA	No
Dark Sky	N/A

**Other**

UPC Code	783209108691
Shades Included	N/A
Crystals Included	N/A
Diffuser Included	N/A
Conversion Kit	N/A
Material	Iron

**Equivalents**

Incandescent Watts	N/A
Fluorescent Watts	N/A

Maxim Lighting International and all designs, logos and images © 2015 Maxim Lighting International. All Rights Reserved. Maxim Lighting International reserves the right, at any time, to make changes in the design and/or construction of the product including the discontinuation of product without prior notice. Color may vary from what is pictured above due to limitations inherent to photographic processes.

Always consult a qualified, licensed electrician before installation of any product weighing 35 pounds or more. We recommend that a qualified, licensed electrician do the installation. Always install to a mechanically sound structure.