



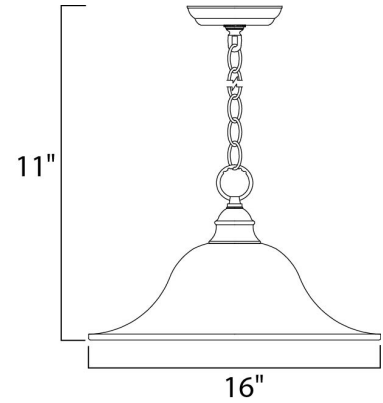
Lighting Your Life Since 1970

Product Specifications - 91076WSOI

| | |
|-----------|-----------|
| Job Name: | Job Type: |
| Quantity: | Comments: |



91076WSOI
Essentials 1-Light Pendant



Finish

Oil Rubbed Bronze

Glass/Shade

Wilshire

Product Category

Single Pendant

Lamping

| | |
|-----------------------------------|--------------|
| Number of Bulbs | 1 |
| Light Type | Incandescent |
| Bulb Type | MB |
| Max Bulb Wattage | 100 |
| Max Fixture Wattage | 100 |
| Rated Life | ±2,500 Hours |
| Rated Lumens | ±1,150 |
| Color Temp | ±2,700 K |
| Bulb(s) | Not Included |
| Light Up/Down | N/A |
| Beam Spread | N/A |
| CRI | N/A |
| Photo Cell Included | N/A |
| Ballast/Driver/Transformer | No |
| Dimmable | Standard |

Measurements

| | |
|---------------------------|----------|
| Width | 16.00" |
| Height | 11.00" |
| Length | N/A |
| Extension | N/A |
| Back Plate Width | N/A |
| Back Plate Height | N/A |
| HCO | N/A |
| Min Overall Height | 0.00" |
| Max Overall Height | N/A |
| Hanging Weight | 5.39 lbs |
| Height Adjustable | N/A |
| Slope | N/A |
| Chain Length | 36" |
| Wire Length | 180" |
| Canopy Width | N/A |
| Canopy Height | N/A |
| Canopy Length | N/A |

Shipping

| | |
|---------------------------|----------|
| Carton Weight | 8.25 lbs |
| Carton Width | 17" |
| Carton Height | 7" |
| Carton Length | 17" |
| Carton Cubic Feet | 1.25 |
| Master Pack | 1 |
| Master Pack Weight | N/A |
| Master Pack Width | N/A |
| Master Pack Height | N/A |
| Master Pack Length | N/A |
| Master Cubic Feet | N/A |
| UPS Shippable | Yes |

Certification

| | |
|----------------------|-----|
| Safety Rating | Dry |
| Energy Star | No |
| CA Title 24 | No |
| CA Title 20 | No |
| ADA | No |
| Dark Sky | N/A |

Other

| | |
|--------------------------|--------------|
| UPC Code | 783209020023 |
| Shades Included | N/A |
| Crystals Included | N/A |
| Diffuser Included | N/A |
| Conversion Kit | N/A |
| Material | Iron |

Equivalents

| | |
|---------------------------|-----|
| Incandescent Watts | N/A |
| Fluorescent Watts | N/A |

Maxim Lighting International and all designs, logos and images © 2015 Maxim Lighting International. All Rights Reserved. Maxim Lighting International reserves the right, at any time, to make changes in the design and/or construction of the product including the discontinuation of product without prior notice. Color may vary from what is pictured above due to limitations inherent to photographic processes.

Always consult a qualified, licensed electrician before installation of any product weighing 35 pounds or more. We recommend that a qualified, licensed electrician do the installation. Always install to a mechanically sound structure.