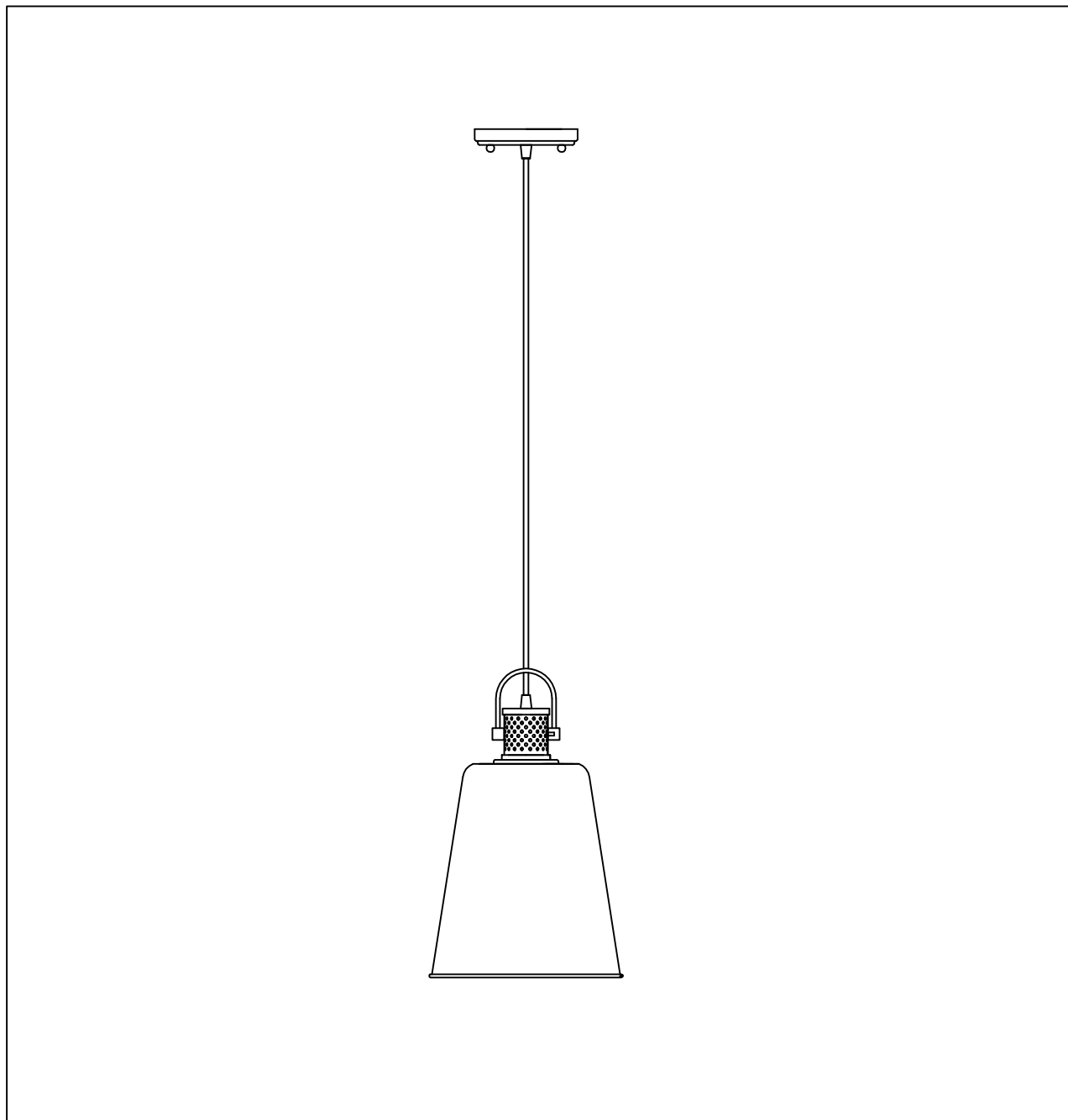




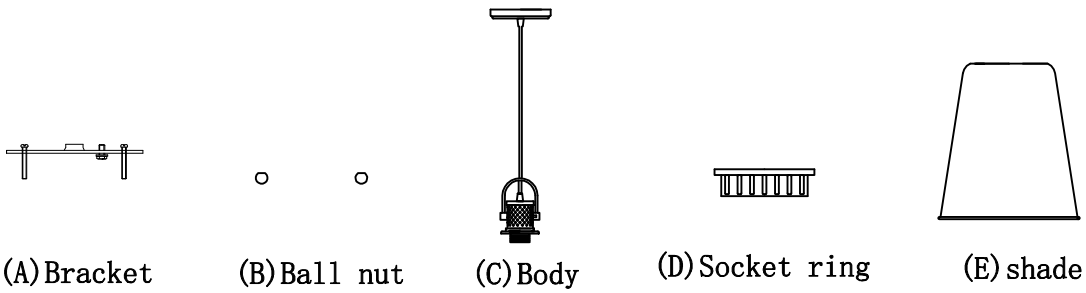
PRODUCT NAME: Sedona 1-Light Pendant
NUMBER: 10085

Please consult your electrician for Hang fixture and wiring.

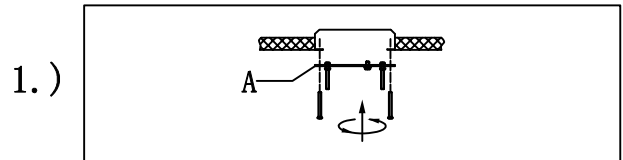
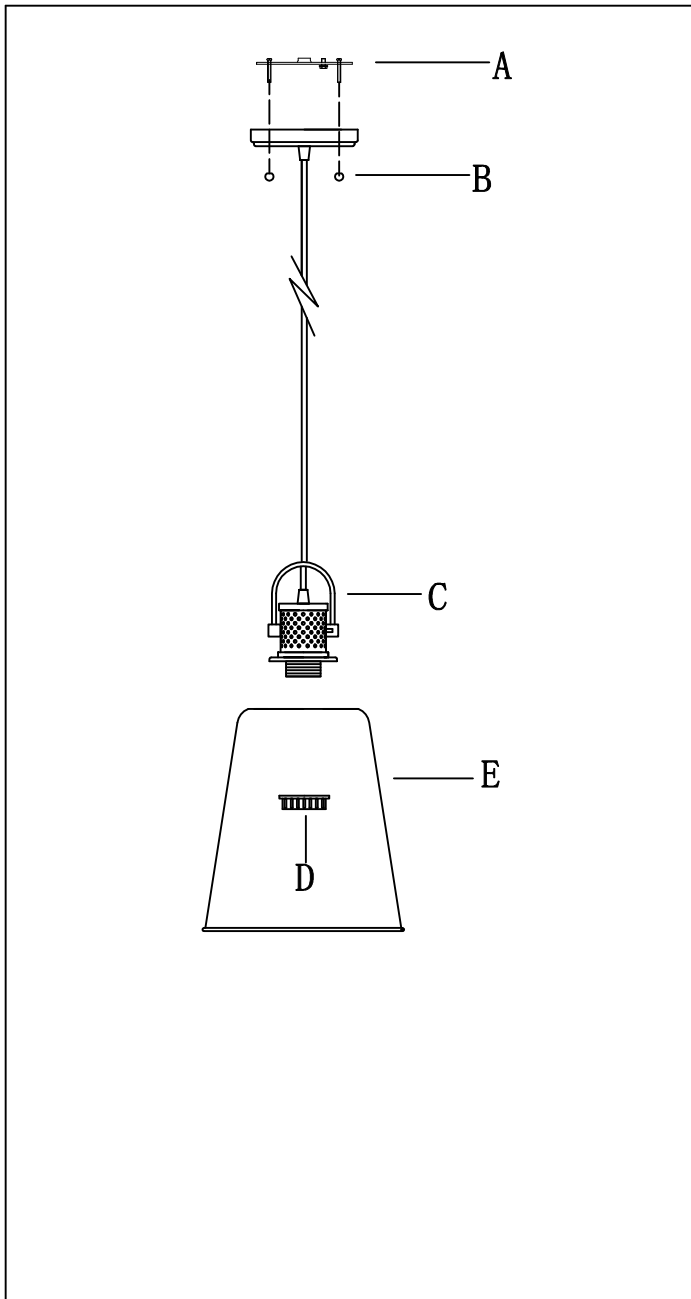


Bulb (Not included) : 1*MB 60W

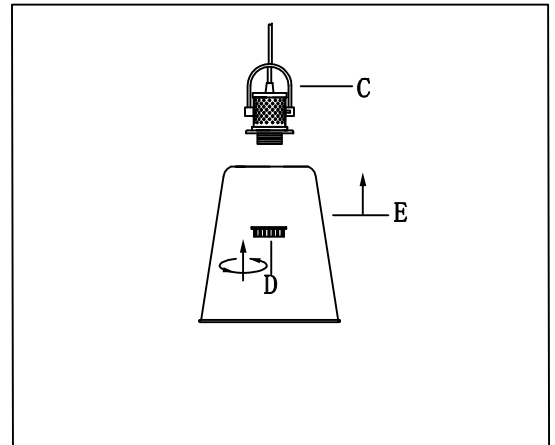
IMPORTANT: Turn off power at the main fuse or circuit breaker box before starting installation



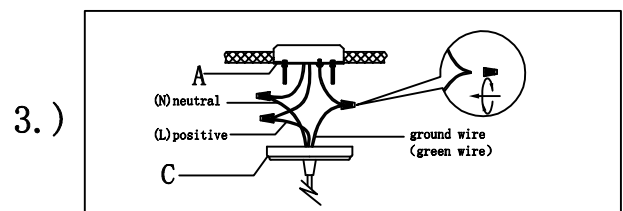
Locate all hardware & components before discarding packaging



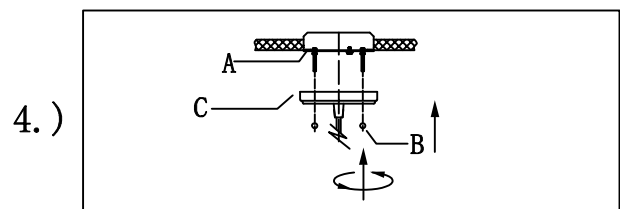
Step. 1: Remove mounting bracket (A) from fixture and install to electrical box.



Step. 2: Use socket ring (D) to secure shade (E) on body.



Step. 3: Wire fixture to wires in outlet box. Copper/Green wire is for Ground.



Step. 4: Install fixture to bracket and tighten ball nuts (B) on the canopy to secure.

Cleaning & Care:

Clean with soft cloth and a mild detergent.
Do not use abrasive cleaner.