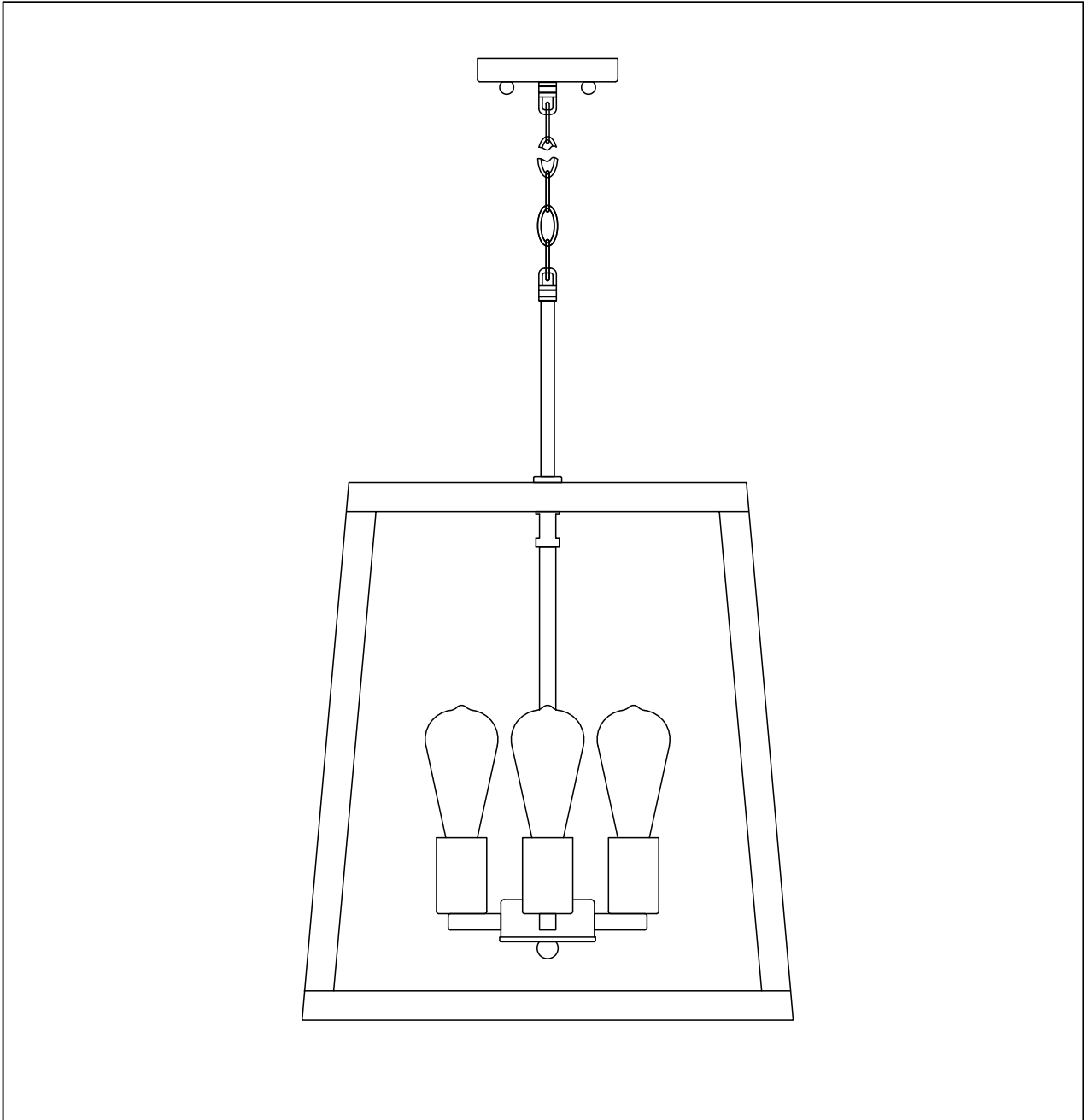




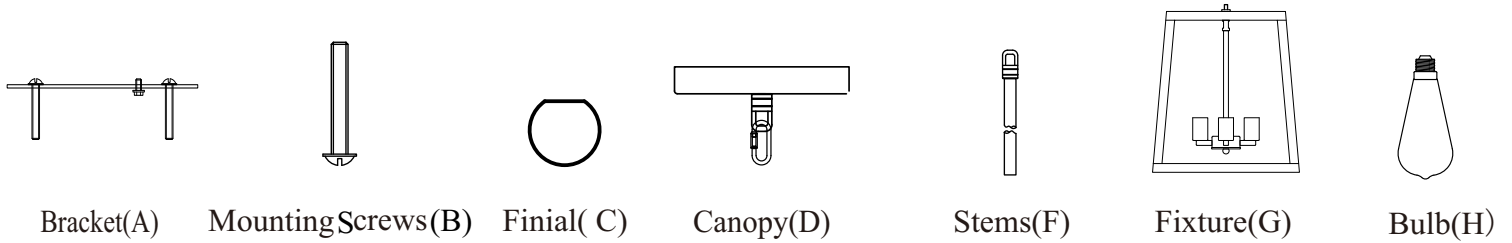
PRODUCT NAME: Black Forest 4 Light Chandelier  
ITEM NUMBER: 10306

Please consult your electrician for hanging fixture and wiring.

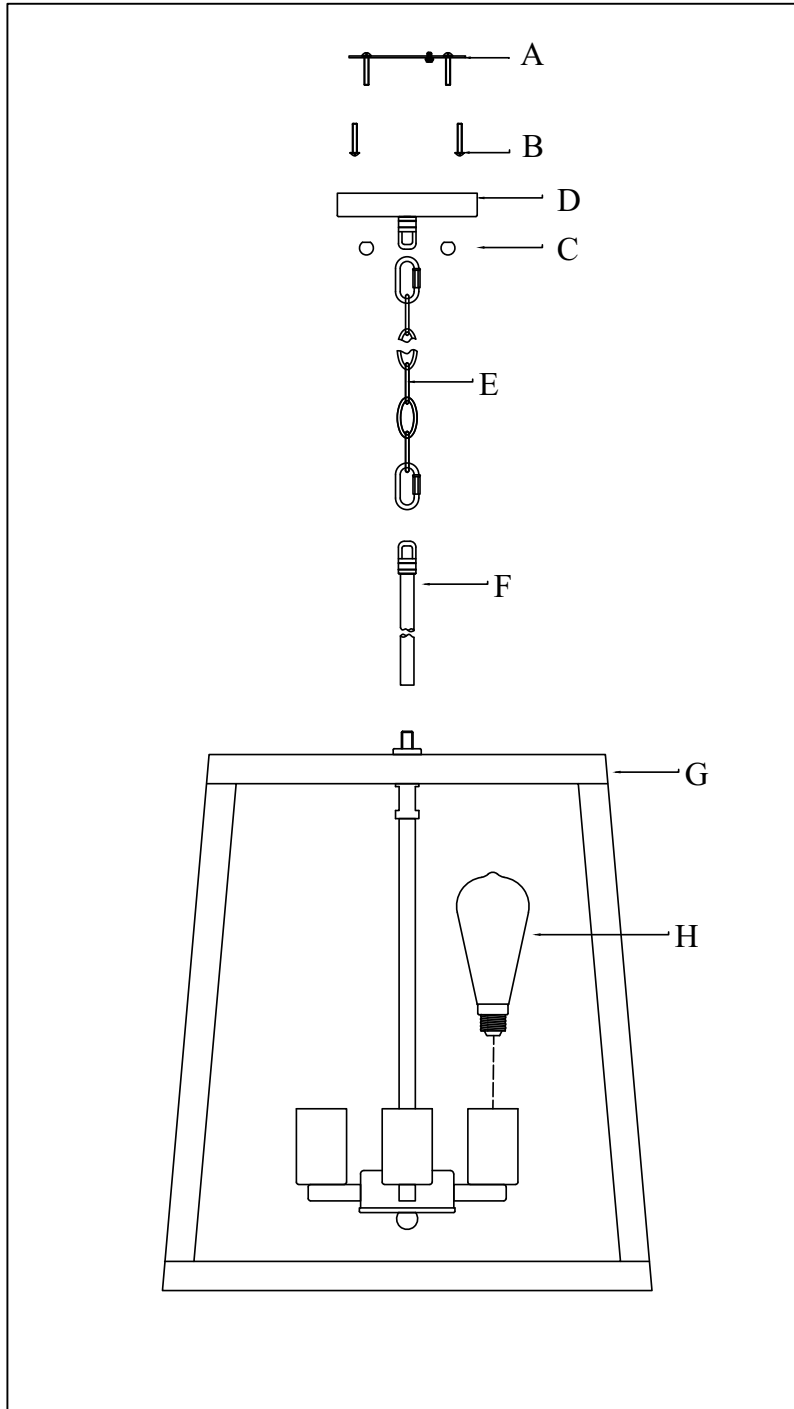


Bulbs (Not Included) : E26 4\*60W ST64

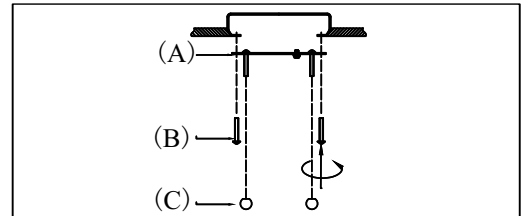
**IMPORTANT:** Turn off the power at the main fuse or circuit breaker box before starting installation



Locate all hardware & components before discarding packaging

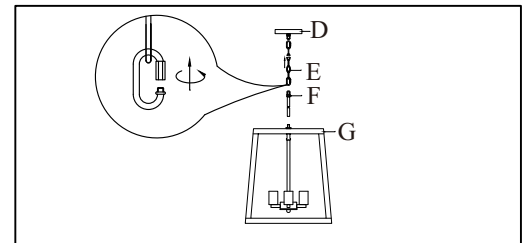


**Cleaning & Care:**  
Clean with soft cloth and a mild detergent.  
Do not use abrasive cleaner.



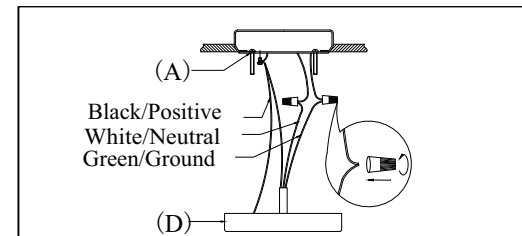
1.)

**Step1 :** Remove mounting bracket from fixture and install to electrical box.



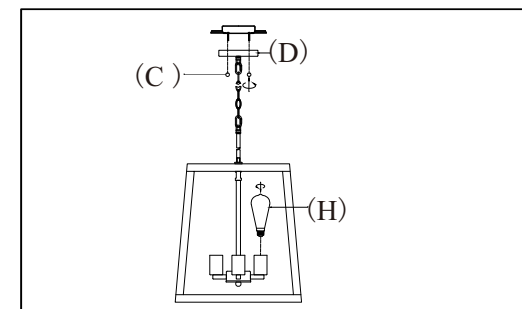
2.)

**Step.2:** Install top loop E to center stem and attach appropriate amount of chain to loop to achieve desired mounting height.



3.)

**Step3 :** Wire fixture to wires in outlet box. Green wire is for Ground.



4.)

**Step4 :** Install fixture to bracket and tighten screws at the ends of the canopy to secure. then install the bulb(H)