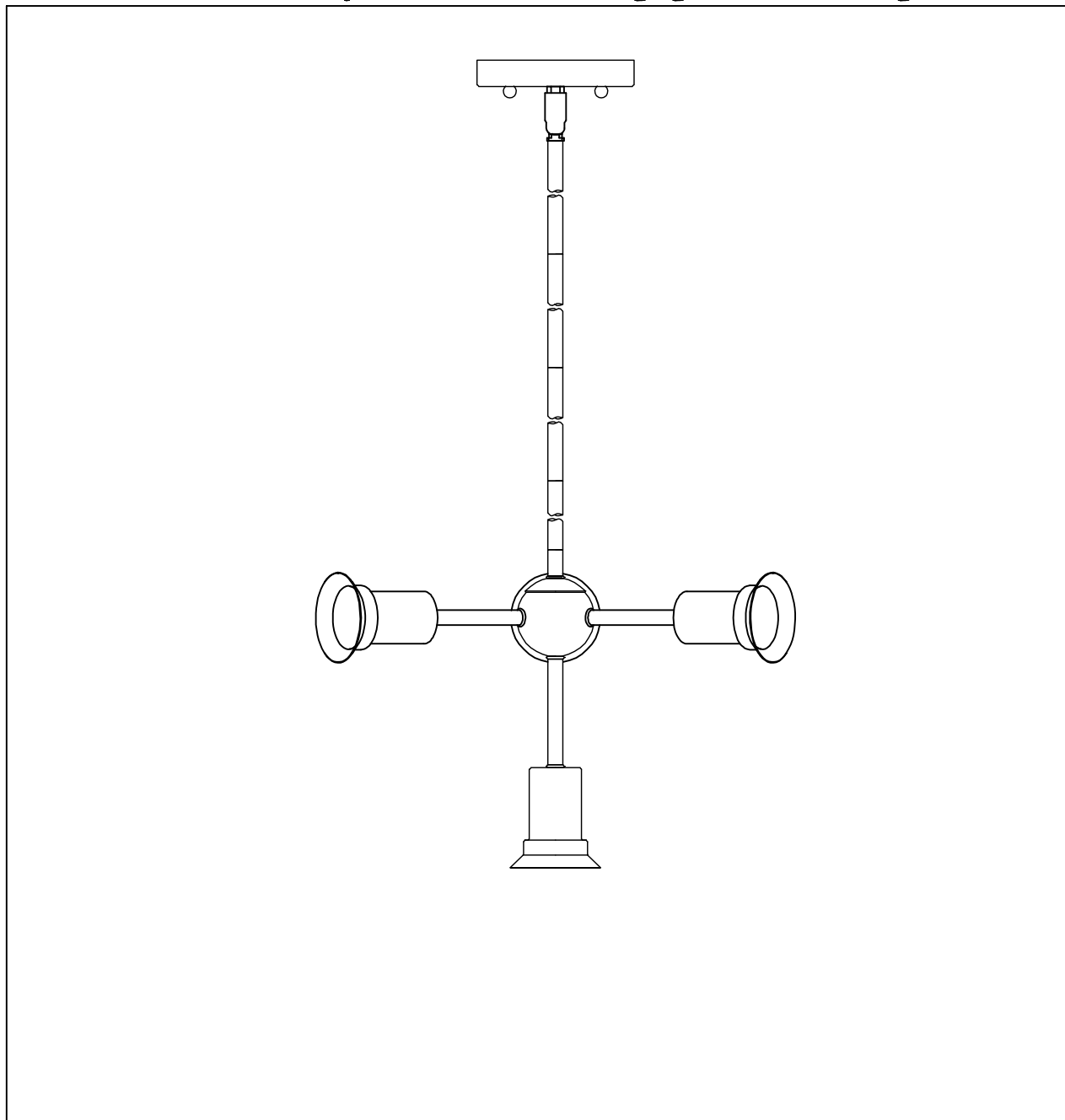




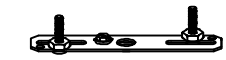
PRODUCT NAME: Molecule 4-Light Pendant
ITEM NUMBER: 11344

Please consult your electrician for hanging fixture and wiring.



Bulb(not included): 4-60 Watt G40 Bulbs

IMPORTANT: Turn off the power at the main fuse or circuit breaker box before starting installation



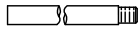
A
Crossbar x1pc



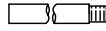
B
Screw x2pcs



C
Ball nut x2pcs

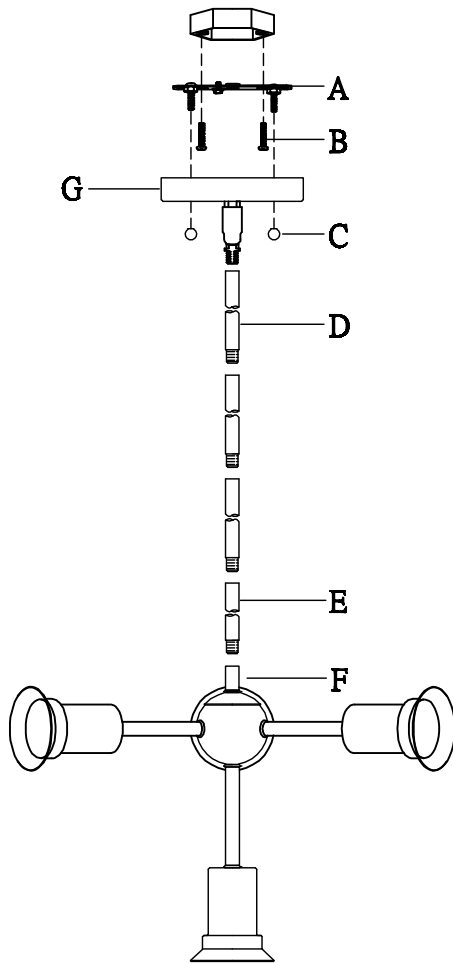


D
12" Rod x3pcs

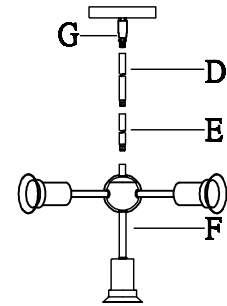


E
6" Rod x1pc

Locate all hardware & components before discarding packaging

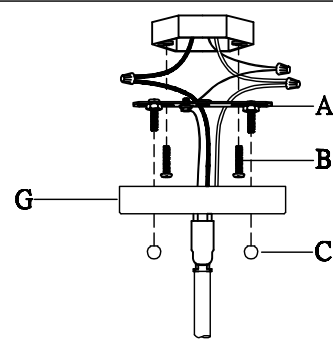


1.)



Step 1. Run wire through stems and combine stem lengths to meet desired mounting height.

2.)



Step2.

Remove mounting bracket from fixture and install to electrical box.

Wire fixture to wires in outlet box.

Green wire is for Ground.

Install fixture to bracket and tighten Ball nut(C) on the bottom of the canopy to secure.

Cleaning & Care:

**Clean with soft cloth and a mild detergent.
Do not use abrasive cleaner.**