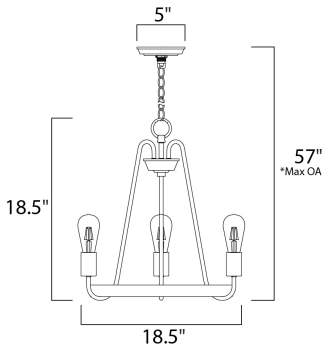




PRODUCT DESCRIPTION

Arms that gracefully descend from a collector cradle a round metal band that can be removed for a minimalistic look. Available in two finish combinations: Black with Satin Nickel Accents and Oil Rubbed Bronze with Antique Brass accents.



*max overall height

MEASUREMENTS

- DIMENSION : 18.5" L x 18.5" W x 18.5" H
- MAX OAH : 57" OAH
- CANOPY : 5" W x 0.75" H
- HANGING WEIGHT : 5.6 lb
- WIRE LENGTH : 120"

LAMPING

- INPUT VOLTAGE : 120V
- BULB : 3 x 60W Incandescent E26 Medium , 180W Total
- BULB INCLUDED : (Not Included)
- DIMMABLE : Yes

FINISHES OPTION

- Black / Satin Nickel
- Oil Rubbed Bronze / Antique Brass

MATERIAL

Steel

RATINGS

cETLus
Dry Location



ADDITIONAL

OPERATING TEMPERATURE:
-20°C (-4°F), 40°C (104°F)

Always consult a qualified electrician before installing any lighting product.

