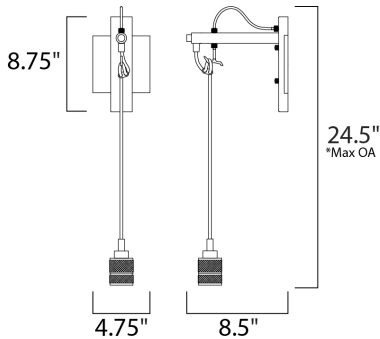




PRODUCT DESCRIPTION

As basic as it gets. A cast socket finished in Polished Chrome is mounted at the end of a black fabric cord. All but the single pendant is supplied with connectors to attach to the ceiling wick allows for customer configuration. Choose from our assortment of decorative bulbs or add the optional metal shade to complete the look.



*max overall height

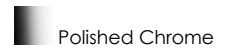
MEASUREMENTS

- DIMENSION : 4.75" W x 8.75" H x 8.5" Ext
- MAX OAH : 24.5" OAH 4.75" W x 0.25" H
- HANGING WEIGHT : 1.5 lb
- WIRE LENGTH : 17"

LAMPING

- INPUT VOLTAGE : 120V
- BULB : 1 x 60W Incandescent E26 Medium , 60W Total
- BULB INCLUDED : (Not Included)
- DIMMABLE : Yes
- LIGHTING_DIRECTION : Down

FINISHES OPTION



MATERIAL

Steel, Aluminum

RATINGS

cETLus
Dry Location



ADDITIONAL

INSTALL UP/DOWN: Down
SLOPE: 120
OPERATING TEMPERATURE:
-20°C (-4°F), 40°C (104°F)

Always consult a qualified electrician before installing any lighting product.

