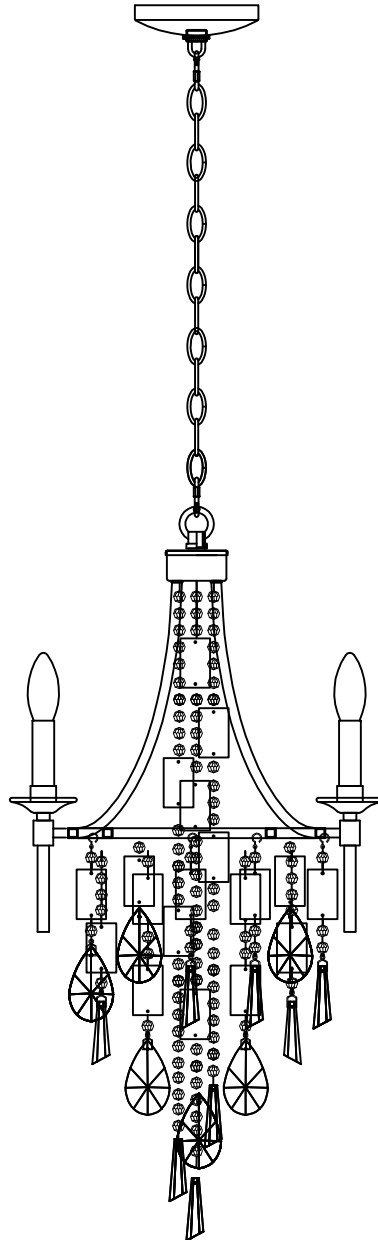


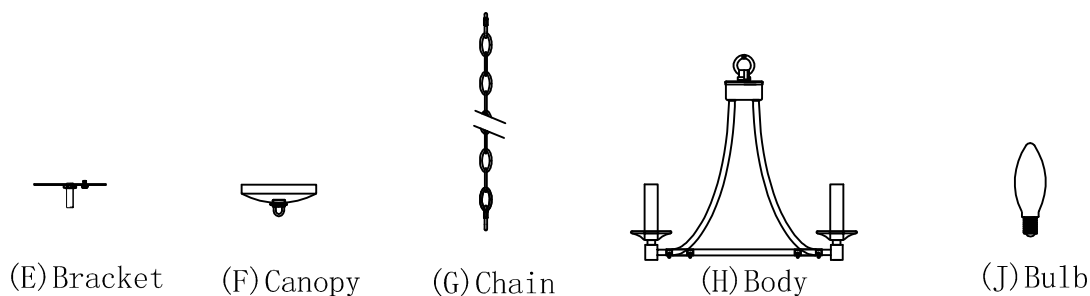
PRODUCT NAME: Cebu 3LT Chandelier
NUMBER: 14423

Please consult your electrician for Hang fixture and wiring.

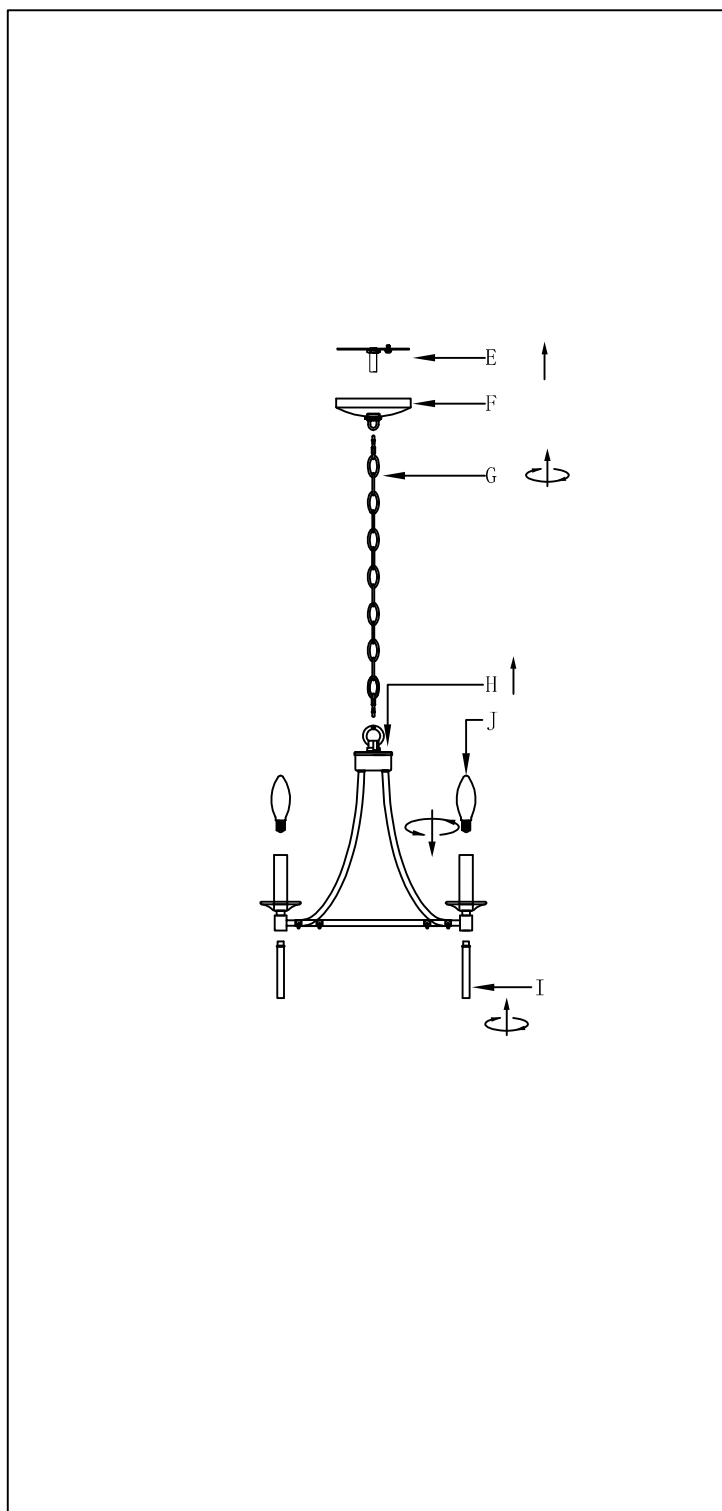


Bulb(Not included) : 3*CA 60W

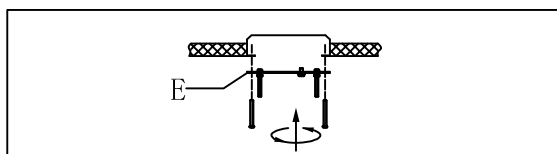
IMPORTANT: Turn off power at the main fuse or circuit breaker box before starting installation



Locate all hardware & components before discarding packaging

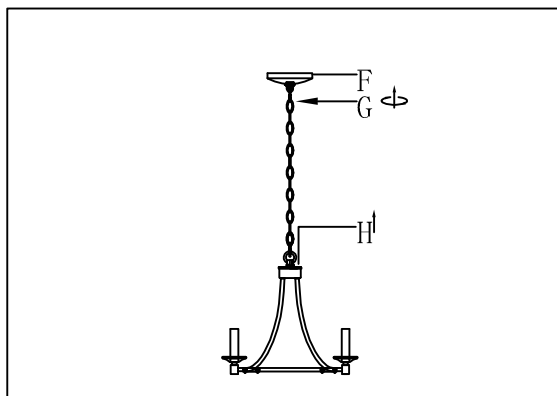


1.)



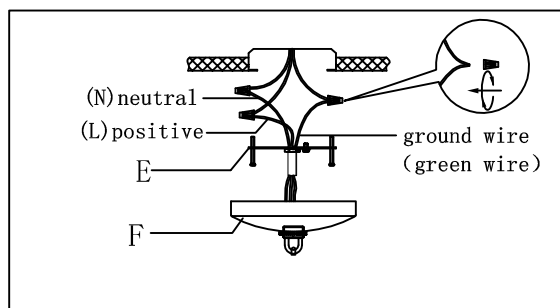
Step. 1: Remove mounting bracket (E) from fixture and install to electrical box.

2.)



Step. 2: Attach appropriate amount of chain to loop to achieve desired mounting height. Thread wire through every 3rd loop of chain.

3.)

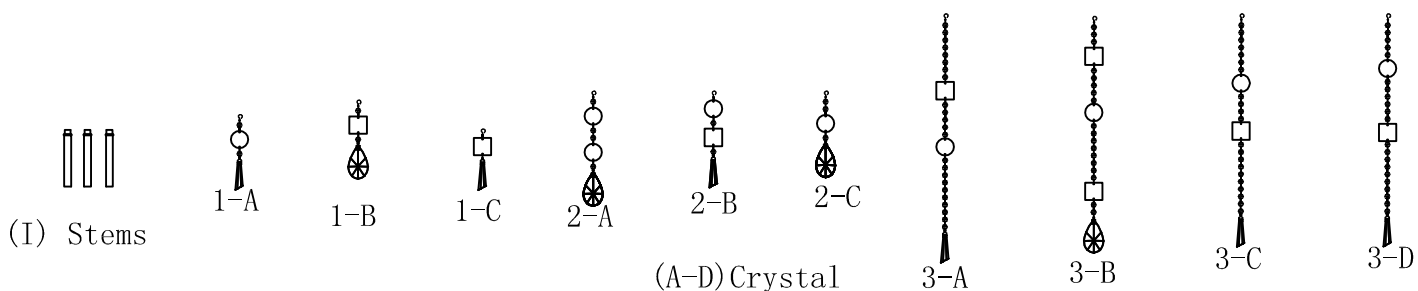


Step. 3: Wire fixture to wires in outlet box. Copper/Green wire is for Ground.

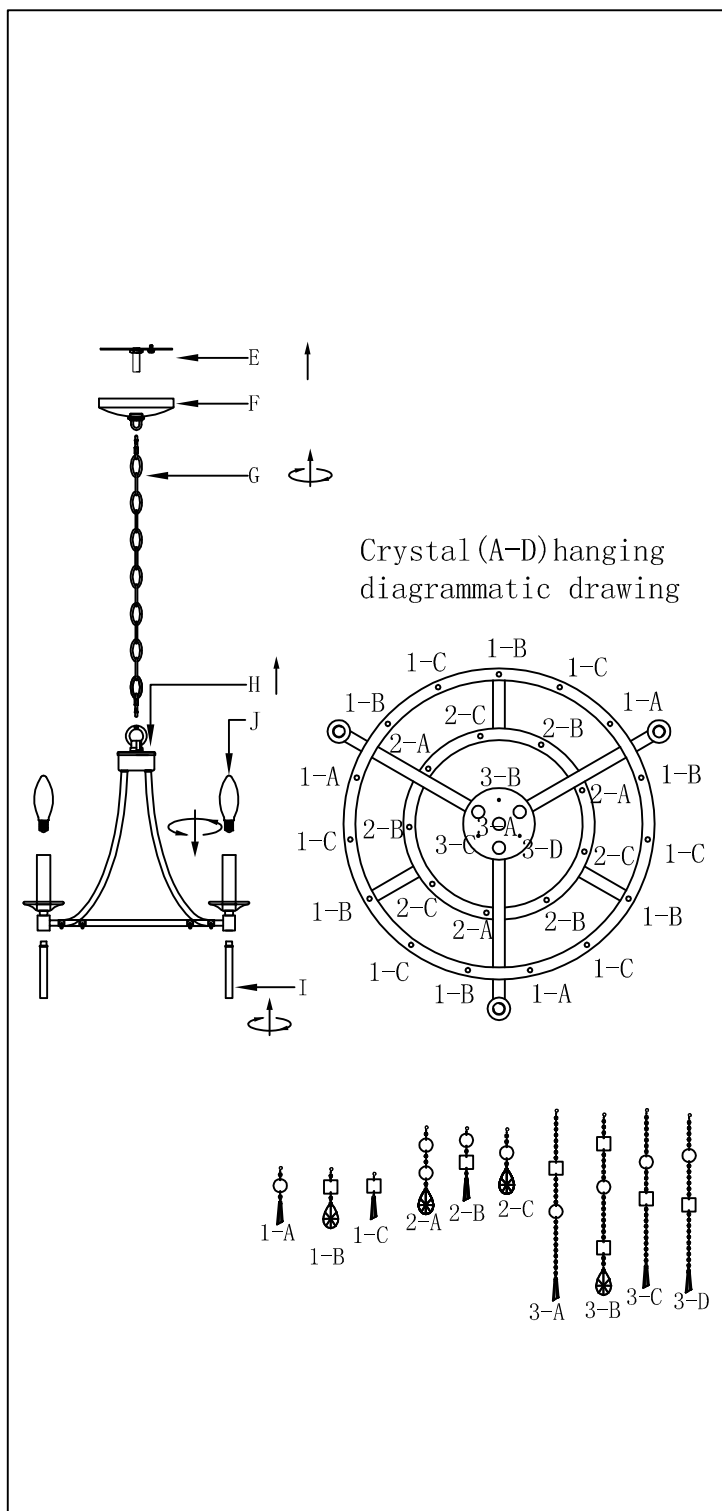
Cleaning & Care:

Clean with soft cloth and a mild detergent.
Do not use abrasive cleaner.

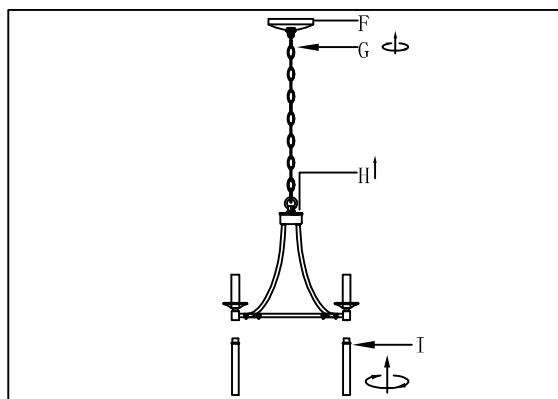
IMPORTANT: Turn off power at the main fuse or circuit breaker box before starting installation



Locate all hardware & components before discarding packaging

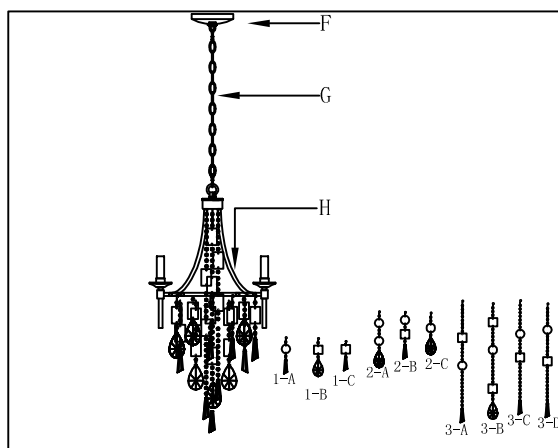


4.)



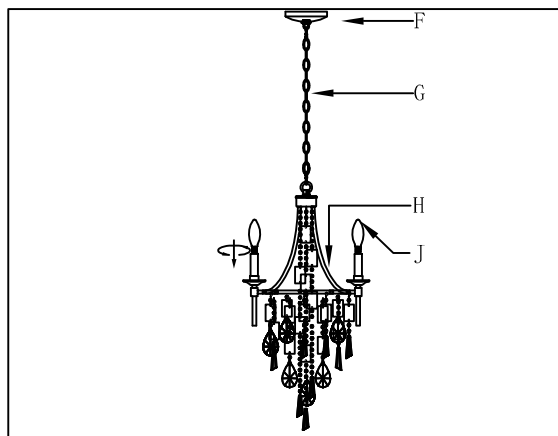
Step. 4: Screw up stems (I) on the bottom of each socket.

5.)



Step. 5: Hang the crystal (A-D) follow the left side drawing. Or DIY your own style.

6.)



Step. 6: Install the bulb.

Cleaning & Care:

Clean with soft cloth and a mild detergent.
Do not use abrasive cleaner.