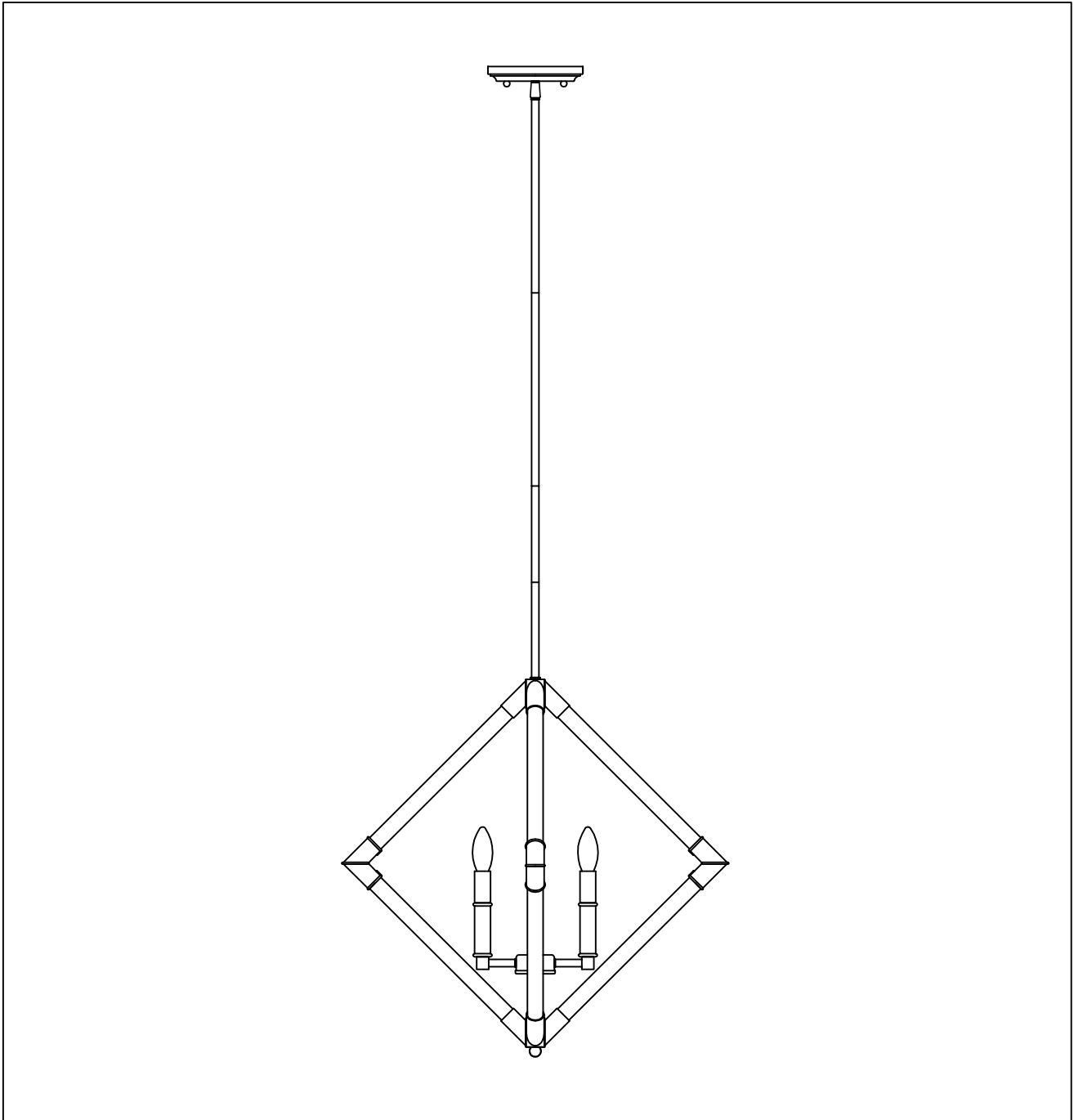


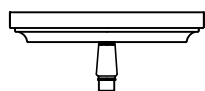
PRODUCT NAME: Lucent 4LT Pendant
NUMBER: 16104

Please consult your electrician for Hang fixture and wiring.

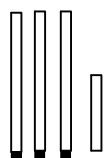


Bulb (Not included) : 4*CA 60W

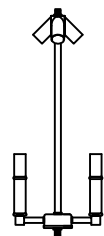
IMPORTANT: Turn off power at the main fuse or circuit breaker box before starting installation



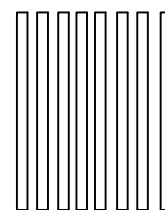
(A) Canopy



(B) Stems

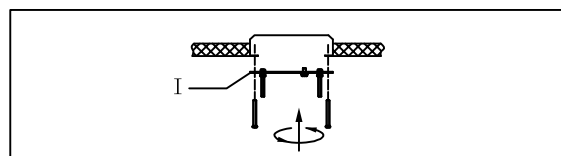
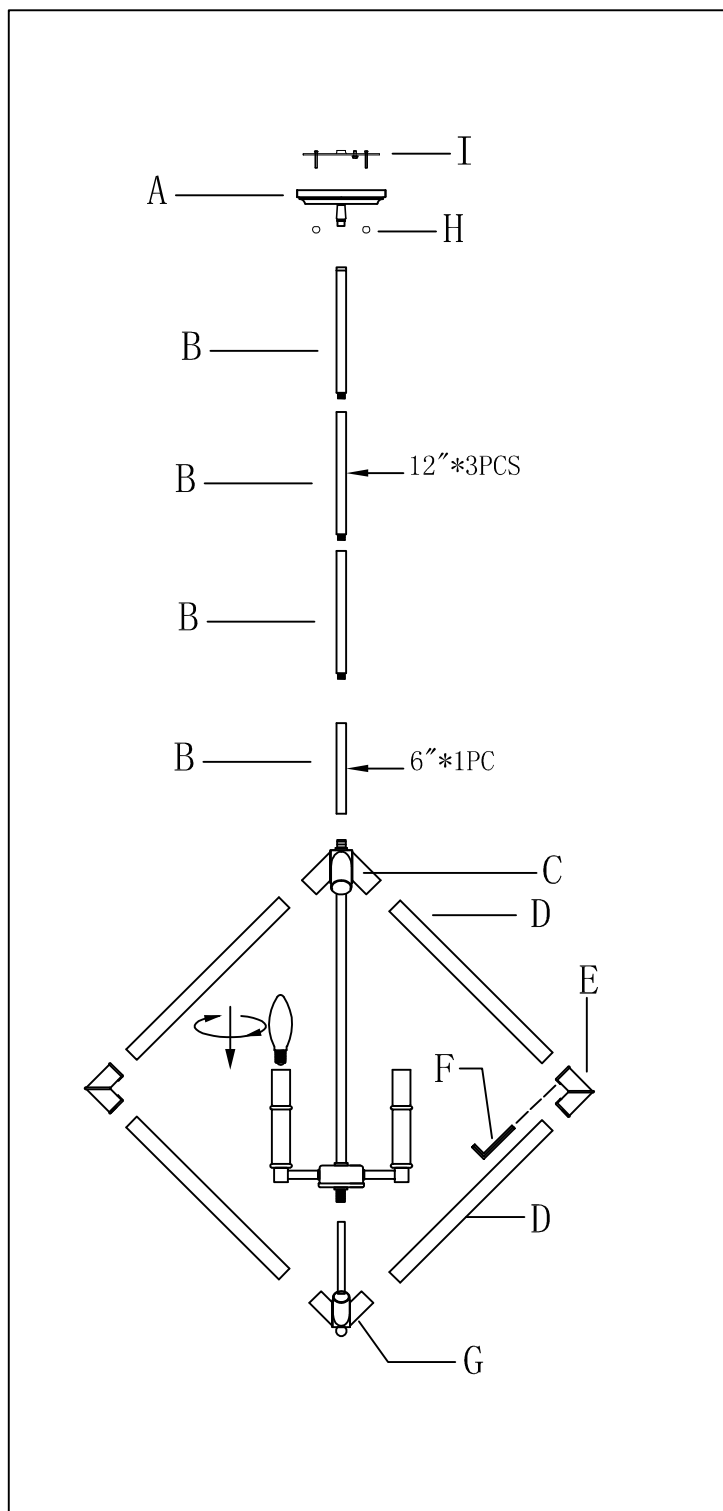


(C) Body



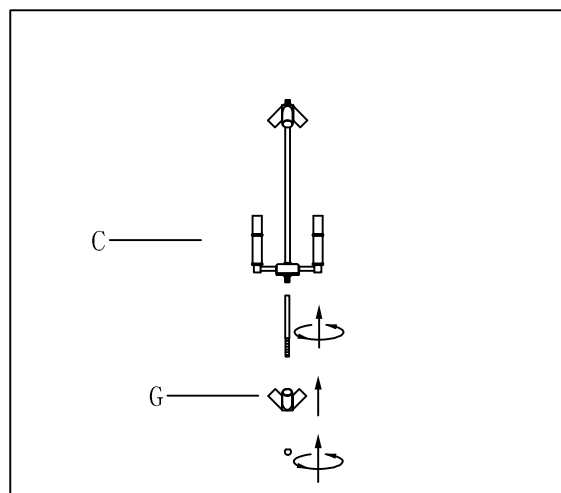
(D) Glass tube

Locate all hardware & components before discarding packaging



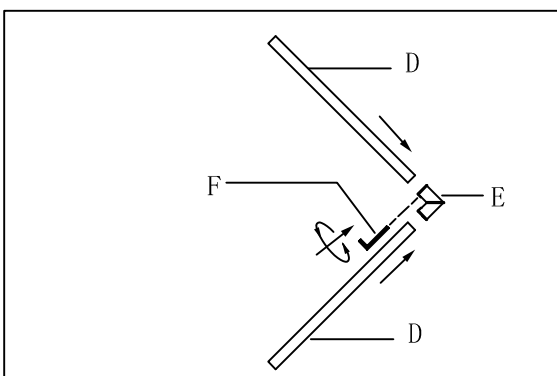
1.)

Step. 1: Remove mounting bracket (I) from fixture and install to electrical box.



2.)

Step. 2: Install the part (G) on the bottom of fixture, follow above drawing.



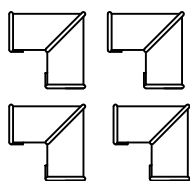
3.)

Step. 3: Put the glass tube (D) into the part (E) about 0.75". And use wrench (F) to lock the screw which on the side of part (E).

Cleaning & Care:

Clean with soft cloth and a mild detergent.
Do not use abrasive cleaner.

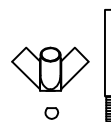
IMPORTANT: Turn off power at the main fuse or circuit breaker box before starting installation



(E) Part

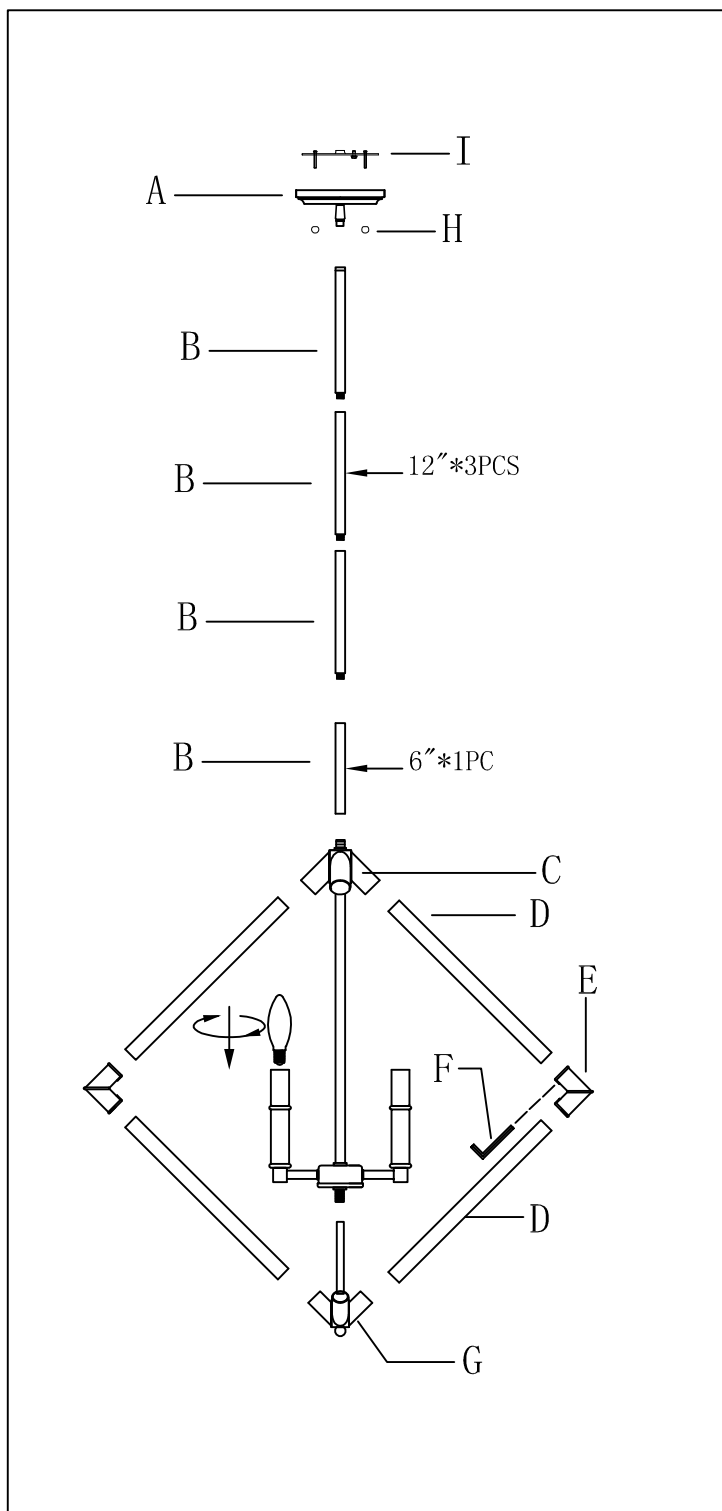


(F) Stems



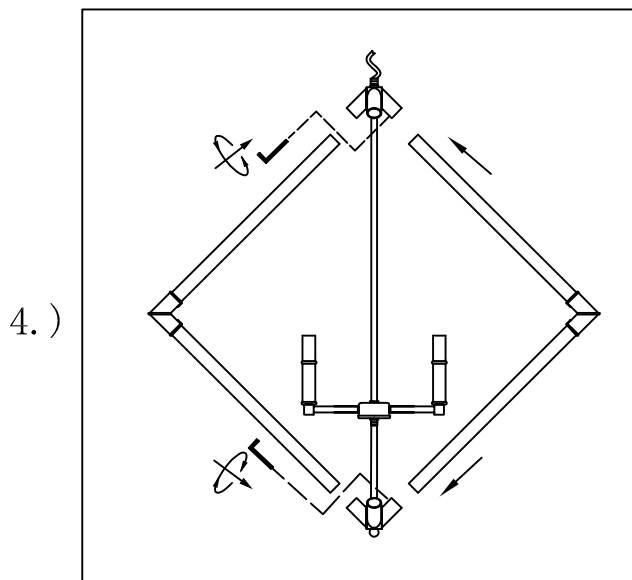
(G) Part

Locate all hardware & components before discarding packaging

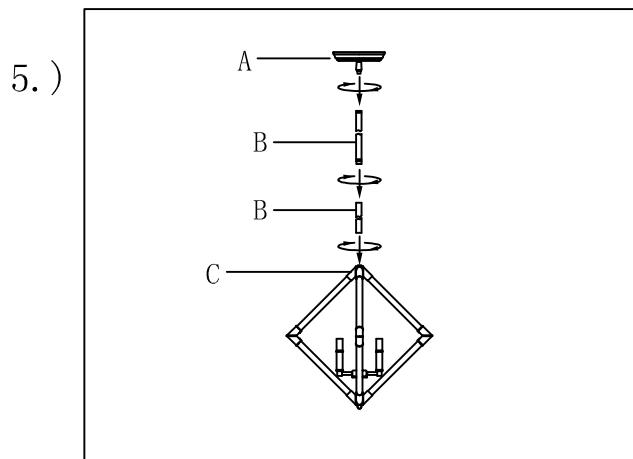


Cleaning & Care:

Clean with soft cloth and a mild detergent.
Do not use abrasive cleaner.



Step. 4: After put the glass tube (D) into the part (E), put another side of the glass into part (G) which on top and bottom of the fixture. And use wrench (F) to lock the screw which on the side of part (G).



Step. 5: Run wire through stems (B) and combine stem lengths to meet desired mounting height.

IMPORTANT: Turn off power at the main fuse or circuit breaker box before starting installation

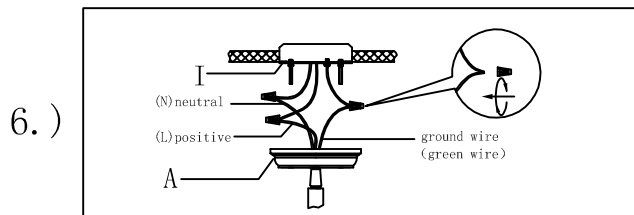
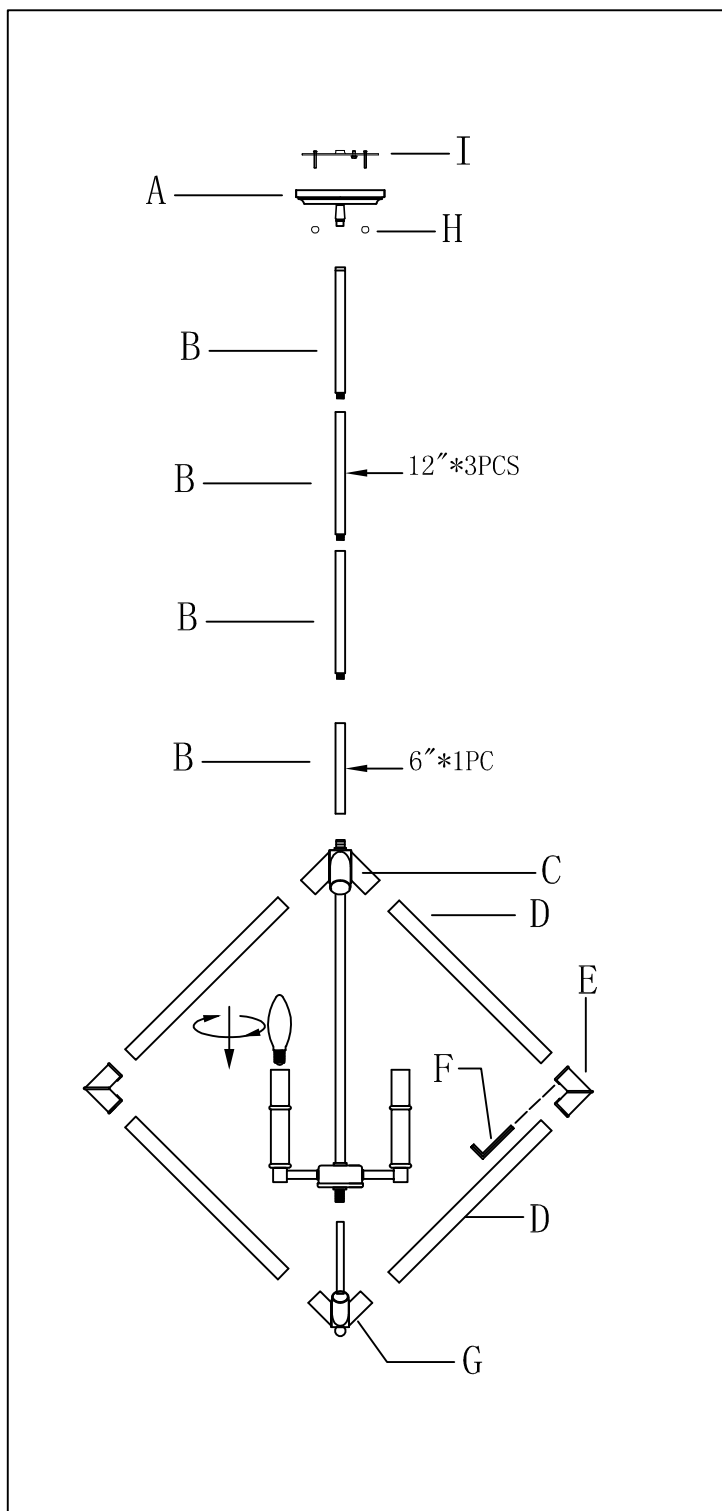


(H) Ball nut

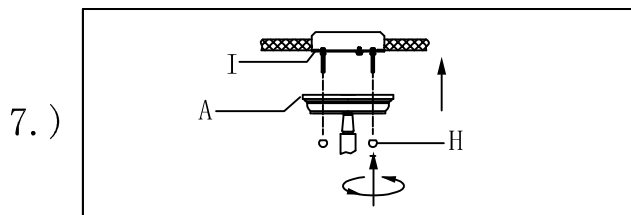


(I) Bracket

Locate all hardware & components before discarding packaging



Step. 6: Wire fixture to wires in outlet box. Copper/Green wire is for Ground.



Step. 7: Install fixture to bracket and tighten ball nuts (H) on the canopy to secure.

Cleaning & Care:

Clean with soft cloth and a mild detergent.
Do not use abrasive cleaner.