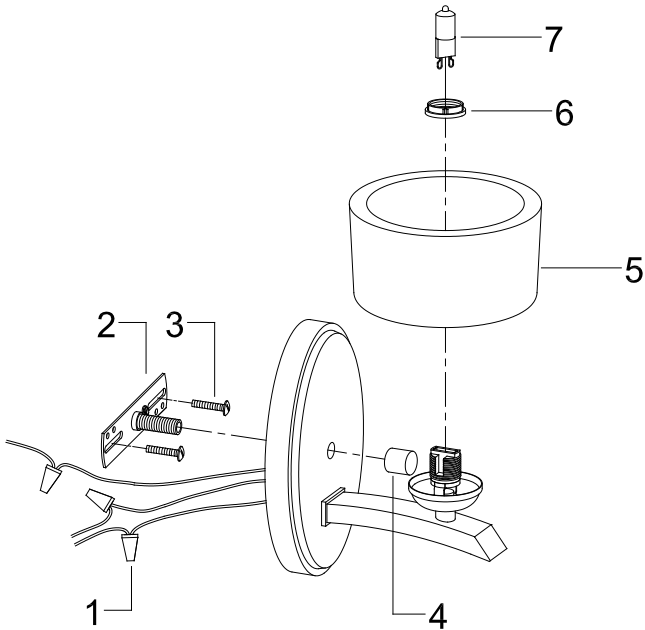


INSTALLATION & OPERATION INSTRUCTIONS

TOOLS & MATERIALS REQUIRED

1, Blade Screwdriver 2, Adjustable Wrench 3, Step Ladder 4, Wire Cutters 5, Wiring supplies as required by electrical code

CAUTION: Before assembling your lighting fixture, refer to the section titled ELECTRICAL CONNECTIONS. If you feel you do not have electrical wiring experience refer to a do-it yourself wiring handbook or have your fixture installed by a licensed electrician.



GENERAL

1. To ensure the success of the installation, be sure to read these instructions and review the diagram thoroughly before beginning.
2. All electrical connections must be in accordance with local codes, ordinances, or the National Electrical Code. If you are unfamiliar With methods of installing electrical wiring, secure the services of a qualified licensed electrician.
3. These fixtures are intended to me mounted to a 4 " X2-1/8 " deep metal octagon outlet box. These boxes must be directly supported by the building structure.
4. Before starting the installation, disconnect the power by turning off the circuit breaker or by removing the fuse at the fuse box. Turning the power off using the light switch is not sufficient to prevent electrical shock. **NOTE:** The important safeguards and instructions appearing in this manual are not meant to cover all possible conditions and situations that may occur. It must be understood that common sense, caution and care are factors which cannot by built into any product. These factors must be supply by person(s) caring for and operating the fixture.

UNPACK THE FIXTURE

Check the contents of the box. You should received:

1. Mounting hardware package 2. Mounting Bracket or mounting plate 3. Bathbar.

PREPARE THE FIXTURE

NOTE: FIRST TURN OFF ALL ELECTRICITY AND REMOVE SOCKET COVER OF THE FIXTURE

1. If you replacing an existing fixture, disconnect and remove the old fixture. Expose the supply wiring from the outlet box.
2. Separate and remove the backplate from the front plate of the bath bar.
3. Mount the backplate to the outlet box using the 2 screws provided with the outlet box. (Please note that the backplate may be mounted with the screw hole for the front panel either on the top or the bottom determines the installation required)
4. Make Electrical Connections-SEE BELOW.
5. Place front of the bath bar on backplate and secure with the one (1) screw provided.
6. Secure the Glass Shade with the screws provided.

ELELTRICAL CONNECTIONS

To make electrical connections:

Connect the white wire(s) from the fixture to the white wire of the supply circuit. Connect the black wire(s) from the fixture to the black wire of the supply circuit. Connect the green (or bare copper) colored wire of the supply circuit in the backplate using the green (ground) screw provided. Use UL Listed wire connectors suitable for the size, type and number of conductors. No loose strands or loose wires should be present. Secure wore connectors with UL Listed electrical type.

FINAL ASSEMBLY

1. Spread the electrical splices so that the black wires are on one side of the outlet box and the white wires are on the other side
CAUTION: Refer to the relamping label located near lampholder for the recommended maximum wattage, do not exceed recommended wattage.
2. Restore electrical and check the operation of your new lighting fixture.