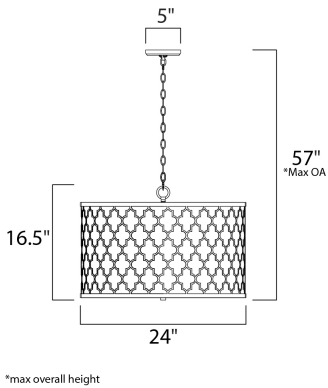




PRODUCT DESCRIPTION

Stately lanterns finished in Oil Rubbed Bronze with contrasting Antique Brass clusters provide a classic yet modern approach to lighting. Cast socket covers add an upscale element to this competitive collection.




MEASUREMENTS

- DIMENSION : 24" L x 24" W x 16.5" H
- MAX OAH : 57" OAH
- CANOPY : 5" W x 0.75" H x 5" L
- HANGING WEIGHT : 21.34 lb
- WIRE LENGTH : 120"

LAMPING

- INPUT VOLTAGE : 110-130V
- BULB : 4 x 60W Incandescent E26 Medium , 240W Total
- BULB INCLUDED : (Not Included)
- DIMMABLE : Yes

FINISHES OPTION

-  Oil Rubbed Bronze / Antique Brass

MATERIAL

Steel, Glass, Fabric

RATINGS

cETLus
Dry Location



ADDITIONAL

OPERATING TEMPERATURE:
-20°C (-4°F), 40°C (104°F)

Always consult a qualified electrician before installing any lighting product.

