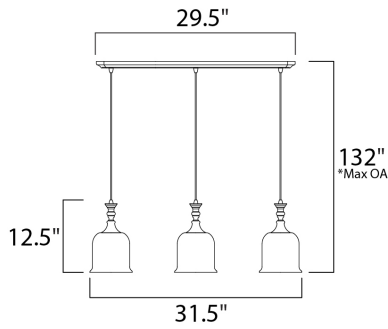




PRODUCT DESCRIPTION

Traditional fonts of Polished Nickel support Clear glass shades reminiscent of Colonial times. This ageless design has upscale appeal at an attractive price.



*max overall height

MEASUREMENTS

- DIMENSION : 31.5" L x 6.25" W x 10.75" H
- MAX OAH : 132" OAH
- CANOPY : 4.53" W x 0.98" H x 29.92" L
- HANGING WEIGHT : 8.89 lb

LAMPING

- INPUT VOLTAGE : 120V
- BULB : 3 x 60W Incandescent E26 Medium , 180W Total
- BULB INCLUDED : (Not Included)
- DIMMABLE : Yes

FINISHES OPTION



GLASS

Clear CL

MATERIAL

Steel, Glass

RATINGS

cETLus
Dry Location



ADDITIONAL

SLOPE: 120
OPERATING TEMPERATURE:
-20°C (-4°F), 40°C (104°F)

Always consult a qualified electrician before installing any lighting product.

