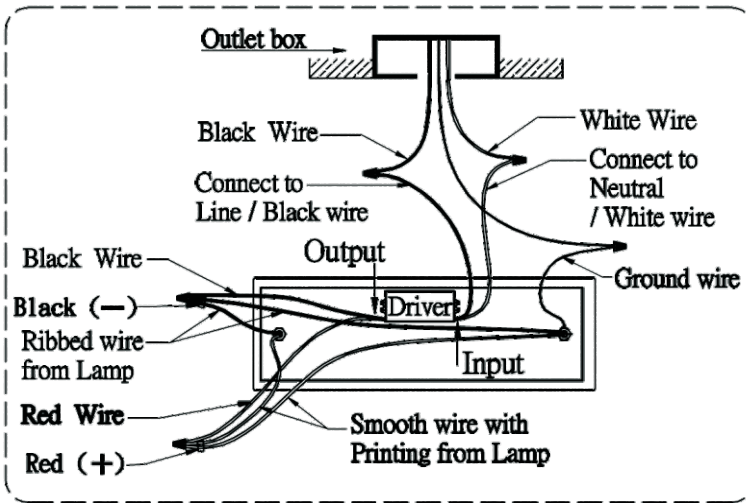


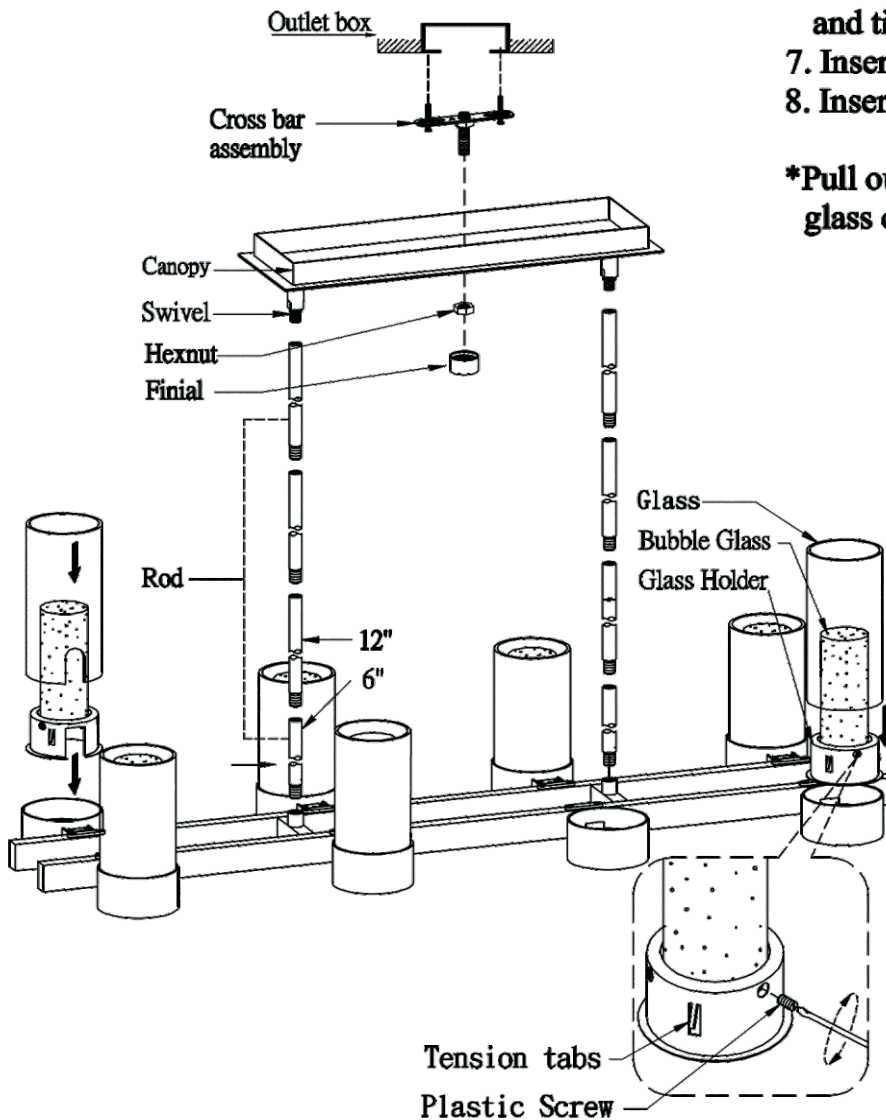
Diagram A



Turn off power at breaker for outlet fixtures is being installed to.

1. Install Crossbar Assembly to outlet box using Machine screw
2. Assemble the fixture per Diagram B.
3. Add 6" and 12" rod to the fixture to your desire height
4. Wire fixture assembly per Diagram A
5. Install fixture assembly to Crossbar assembly and secure with Hex Nut and finial per Diagram B
6. Install bubble glass into glass holder and tighten plastic screw to secure
7. Insert glass holder into fixture casting
8. Insert glass cylinder into fixture casting*

Diagram B



*Pull out tension tabs to increase stability of glass cylinder if necessary

The fixture is designed to dim with a standard Triac forward phase dimmer. Dimming levels will vary by dimmer. Below is a list of recommended dimmers:

Lutron MACL-153M
 Lutron DVL-153P
 Lutron SCL-153P
 Leviton IPL06-10Z
 Leviton 6674-POW

Due to the inrush current wattage should not exceed 150 watts of product for a 600 watt dimmer.

Cleaning & Care:

You May use talcum powder and a soft cloth for cleaning. Do not use abrasive cleaner

If wires are cut in the process of adjusting the hight, please note the pendant wires consist of Black wire(Ground) and Red wire(Live). The two drivers are wired in parallel to the pendant wire, as shown below.

