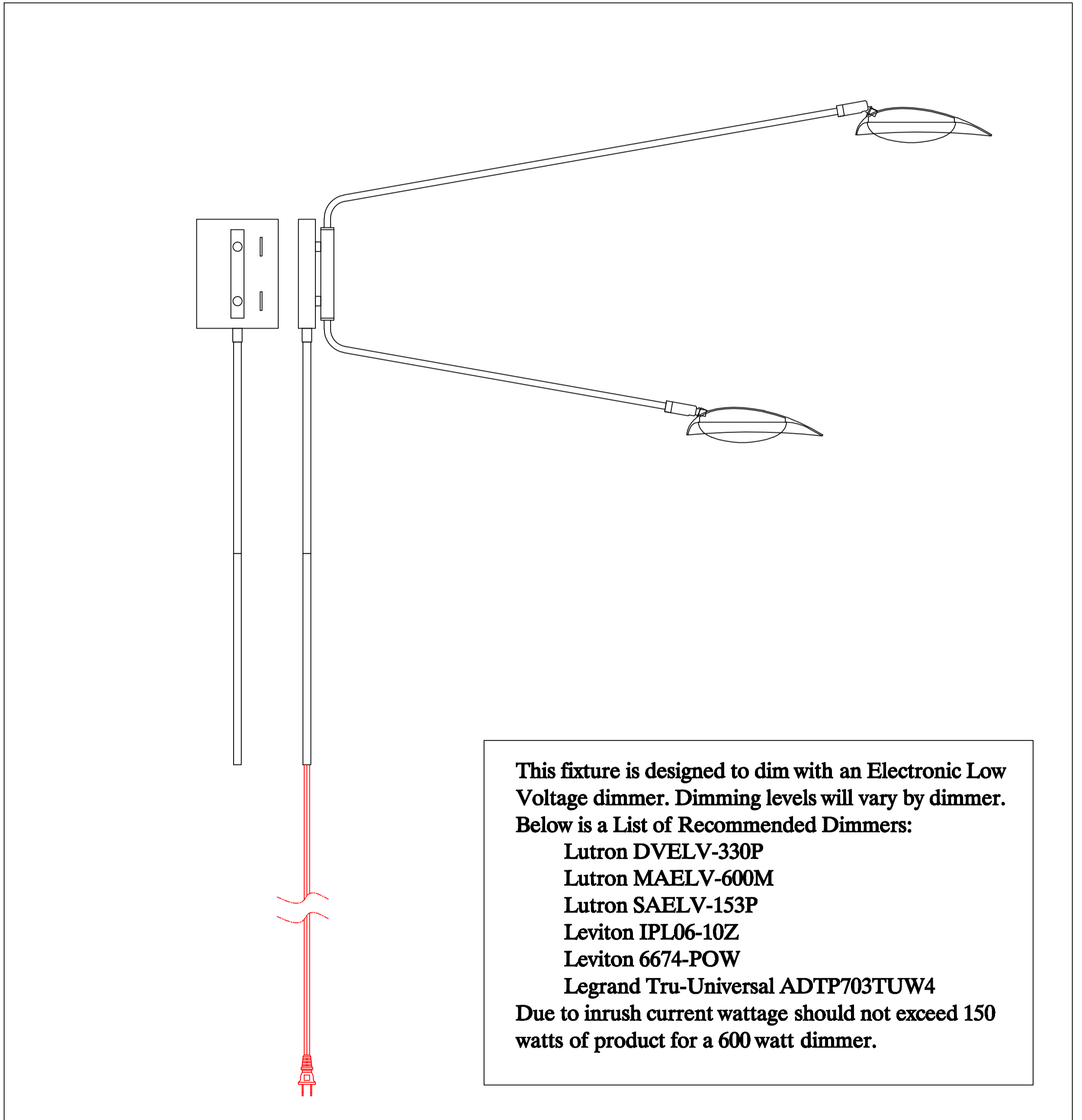




PRODUCT NAME: Scan
ITEM NUMBER: 21692BKSBR

Please consult your electrician for hanging fixture and wiring.



This fixture is designed to dim with an Electronic Low Voltage dimmer. Dimming levels will vary by dimmer. Below is a List of Recommended Dimmers:

- Lutron DVELV-330P
- Lutron MAELV-600M
- Lutron SAELV-153P
- Leviton IPL06-10Z
- Leviton 6674-POW
- Legrand Tru-Universal ADTP703TUW4

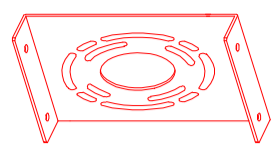
Due to inrush current wattage should not exceed 150 watts of product for a 600 watt dimmer.

Bulbs (Included): 2*6.5Watt AC LED

MADE IN CHINA

Page 1 of (2)

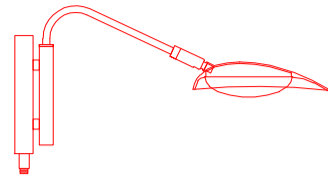
IMPORTANT: Turn off the power at the main fuse or circuit breaker box before starting installation



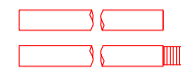
(A)
Bracket



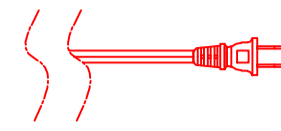
(B)
Mounting Screw



(C)
Fixture

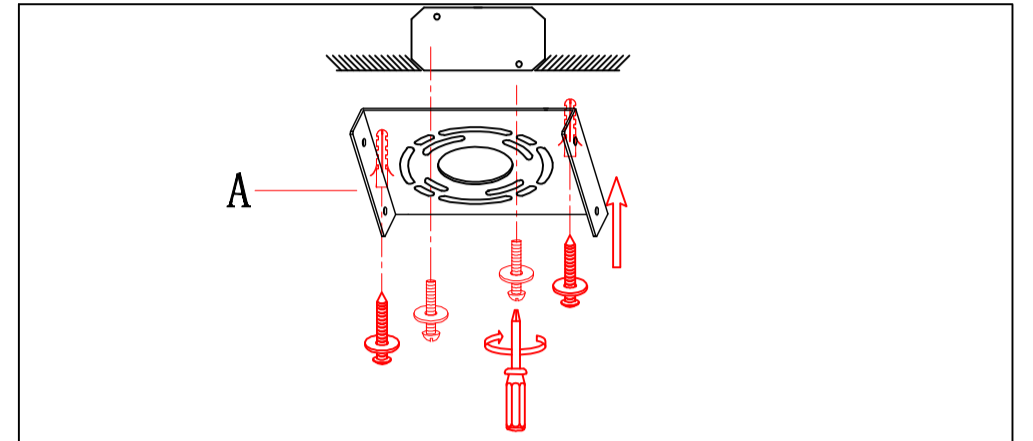
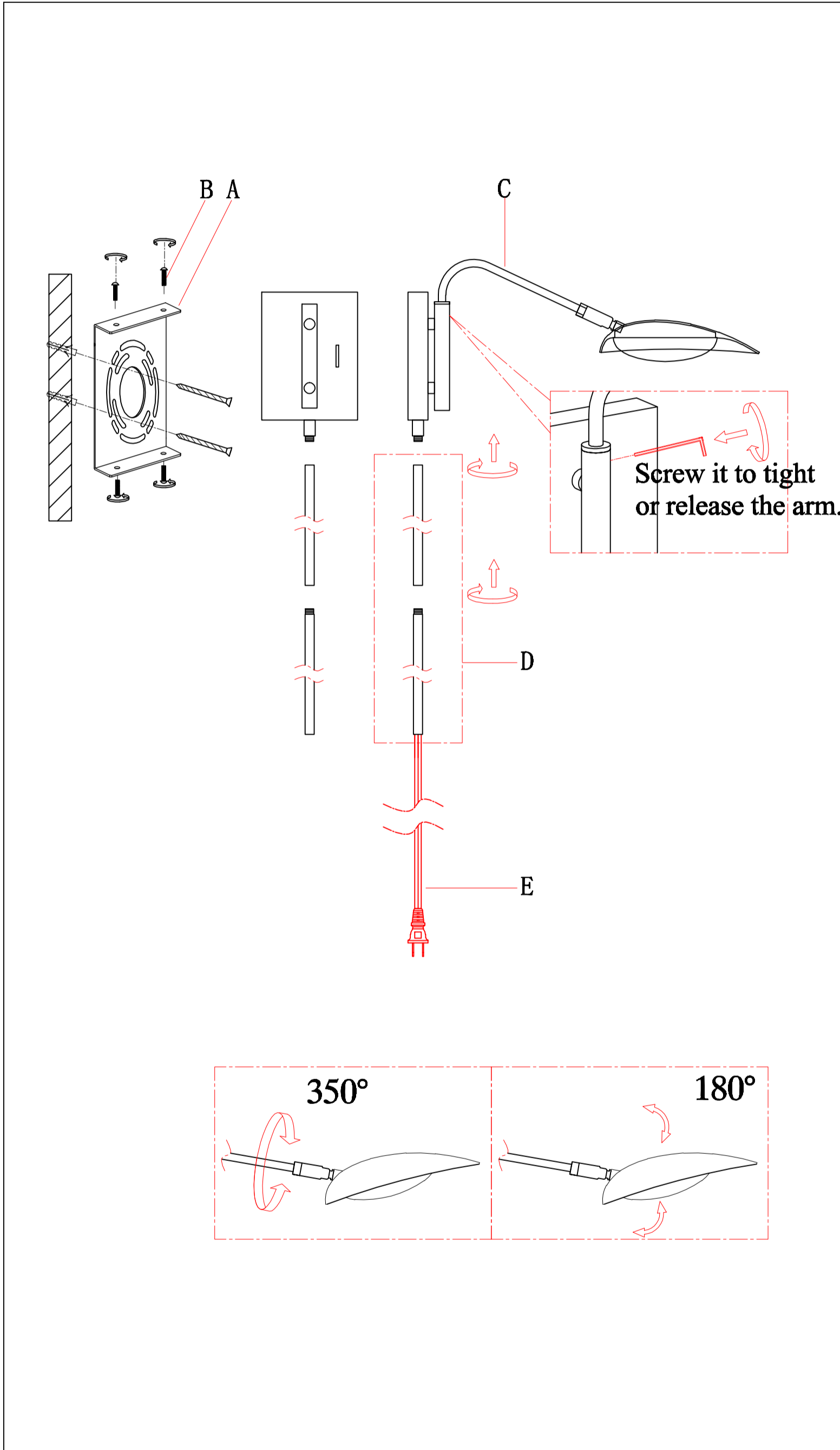


(D)
Stems



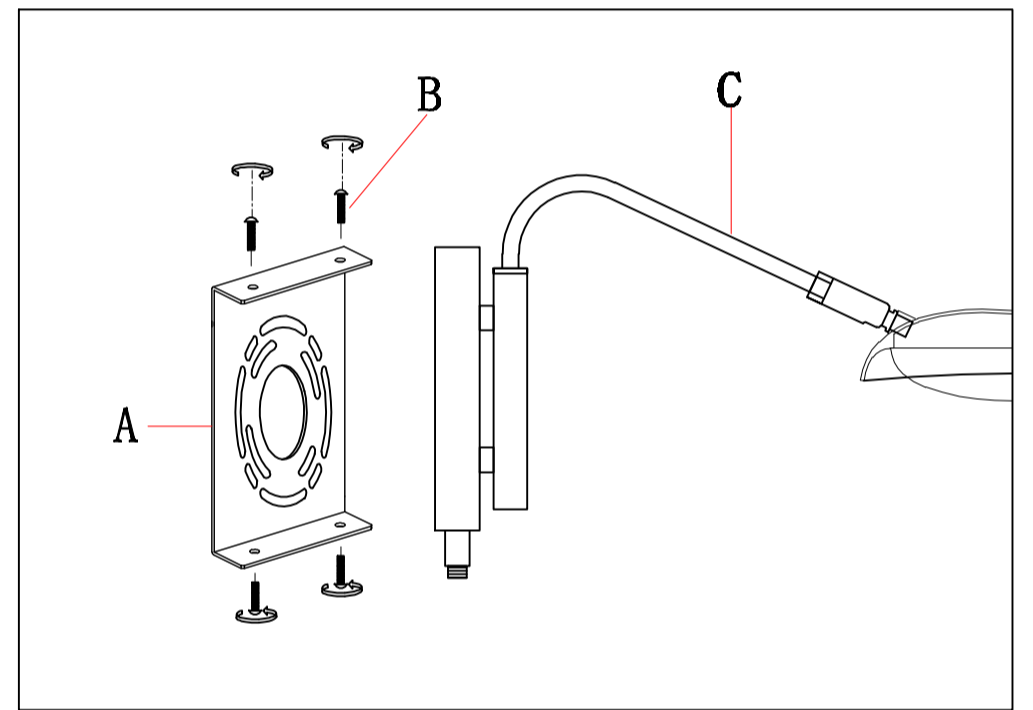
(E)
Plug

Locate all hardware & components before discarding packaging



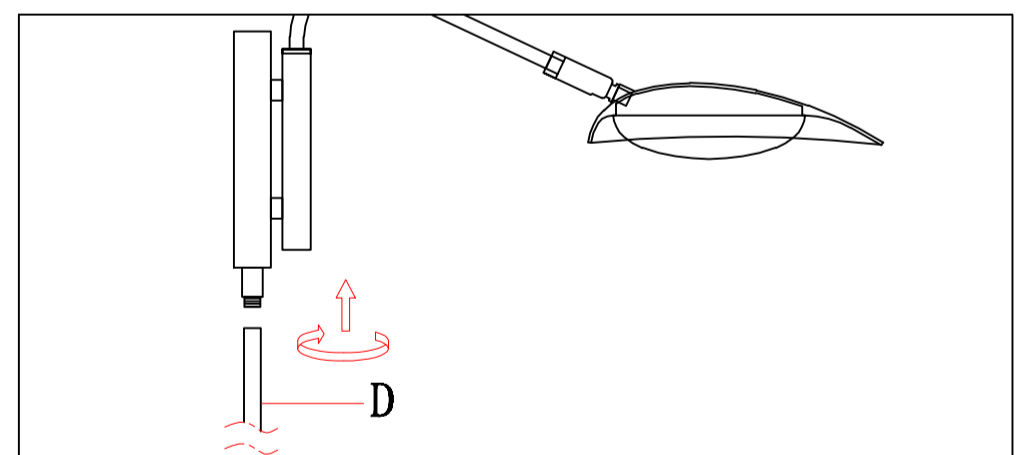
1.)

Step.1: Turn breaker off for circuit on outlet where fixture is to be installed. Remove mounting bracket(A) from the fixture, and install to electrical box.



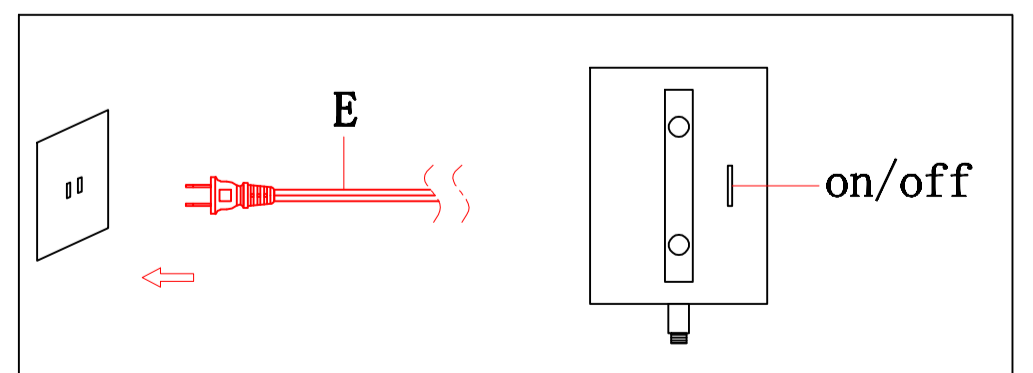
2.)

Step.2: Secure fixture (C) to mounting bracket(A) using mounting screws(B) until the fixture is flush with the wall.



3.)

Step.3: Install the stems(D) at the end of canopy. And adjust(turn to right or left side) lamp arms to the desired position.



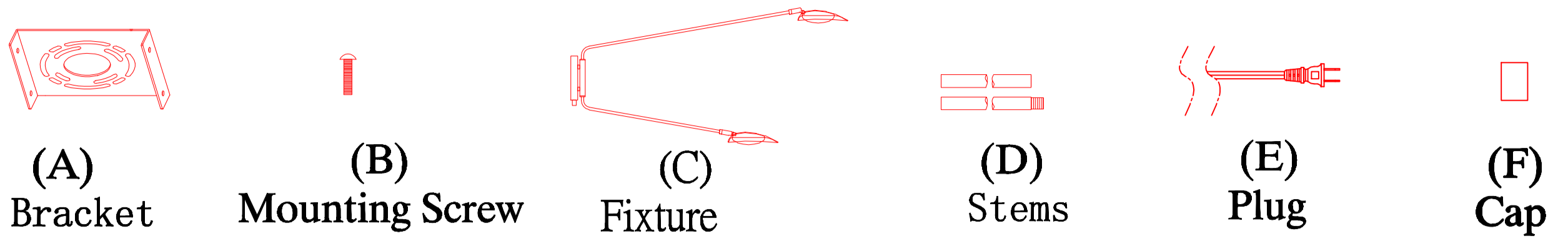
4.)

Step.4: Plug in the fixture(E), and turn on the fixture using the tiny switch on canopy.

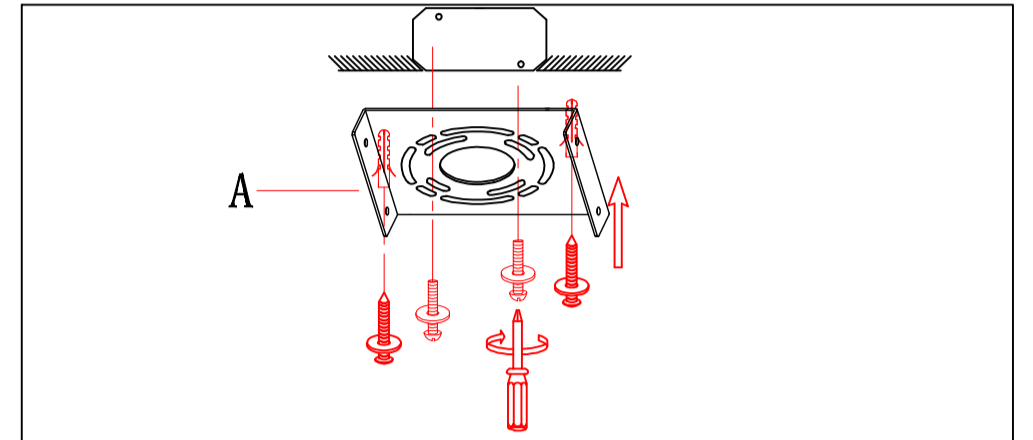
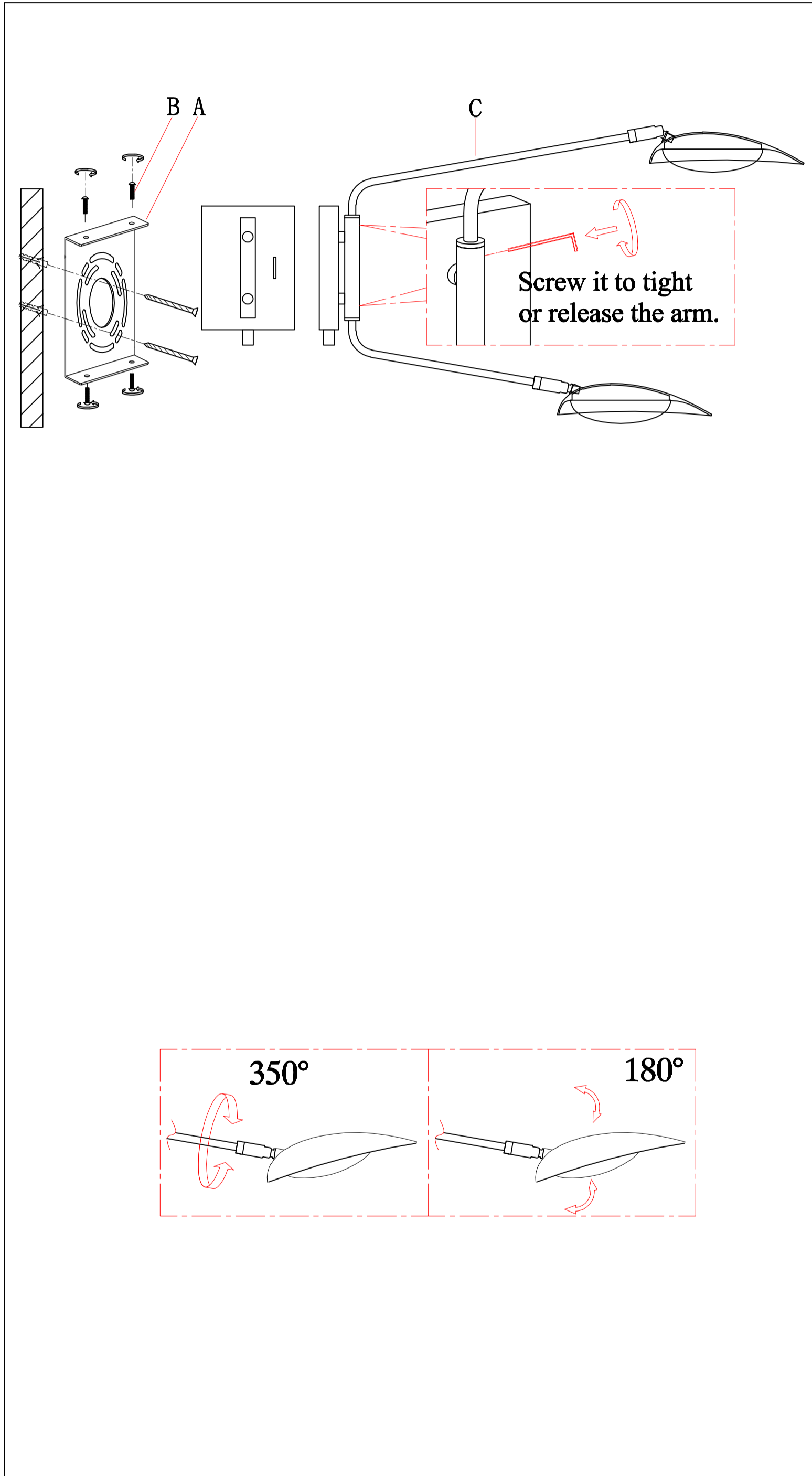
Cleaning & Care:

Clean with soft cloth and a mild detergent.
Do not use abrasive cleaner.

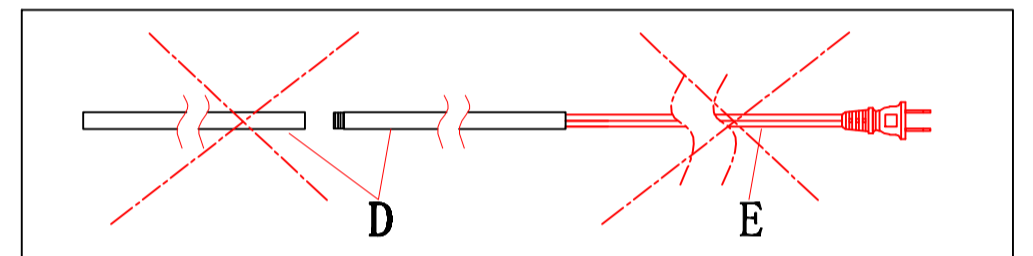
IMPORTANT: Turn off the power at the main fuse or circuit breaker box before starting installation



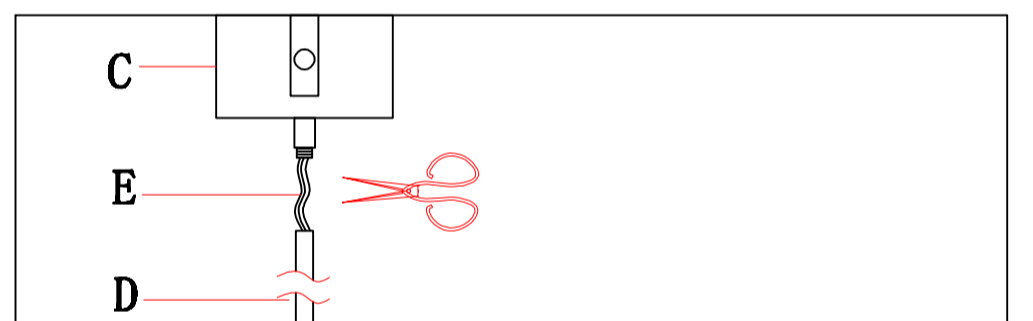
Locate all hardware & components before discarding packaging



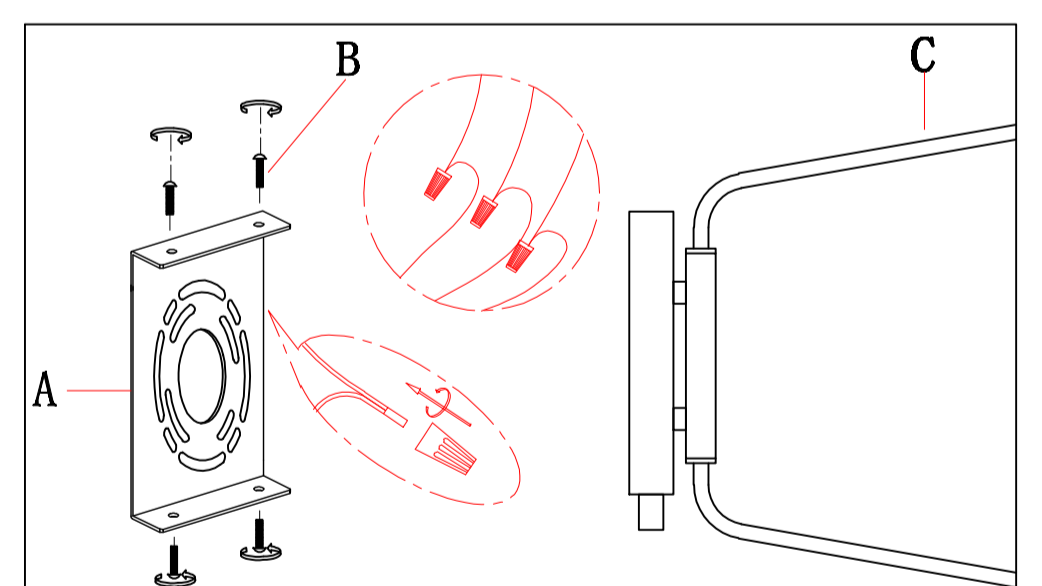
Step.1: Turn breaker off for circuit on outlet where fixture is to be installed. Remove mounting bracket(A) from the fixture, and install to electrical box.



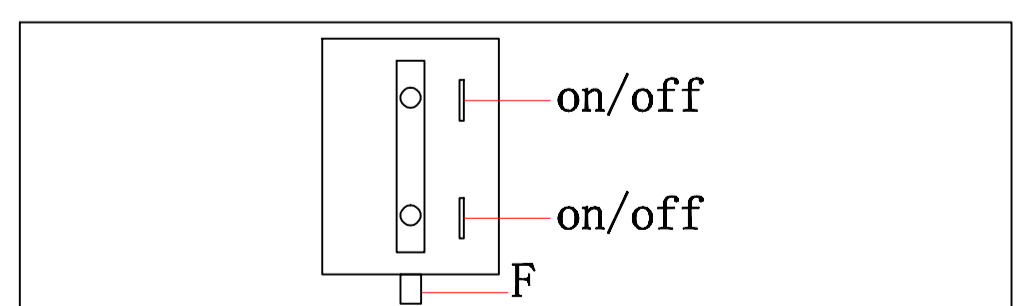
Step.2: If you do not want use the plug(E), please see the below install instruction.



Step.3: Cut the plug wire(E), do not install the stems.(D)



Step.4: Wire fixture wires on outlet box, green wire is for Ground. And secure the fixture(C) with bracket(A) until the canopy is meeting the wall.



Step.5: Install the cap(F) at the end of the canopy. Turn the fixture by the tiny switch on the canopy.

Cleaning & Care:
Clean with soft cloth and a mild detergent.
Do not use abrasive cleaner.