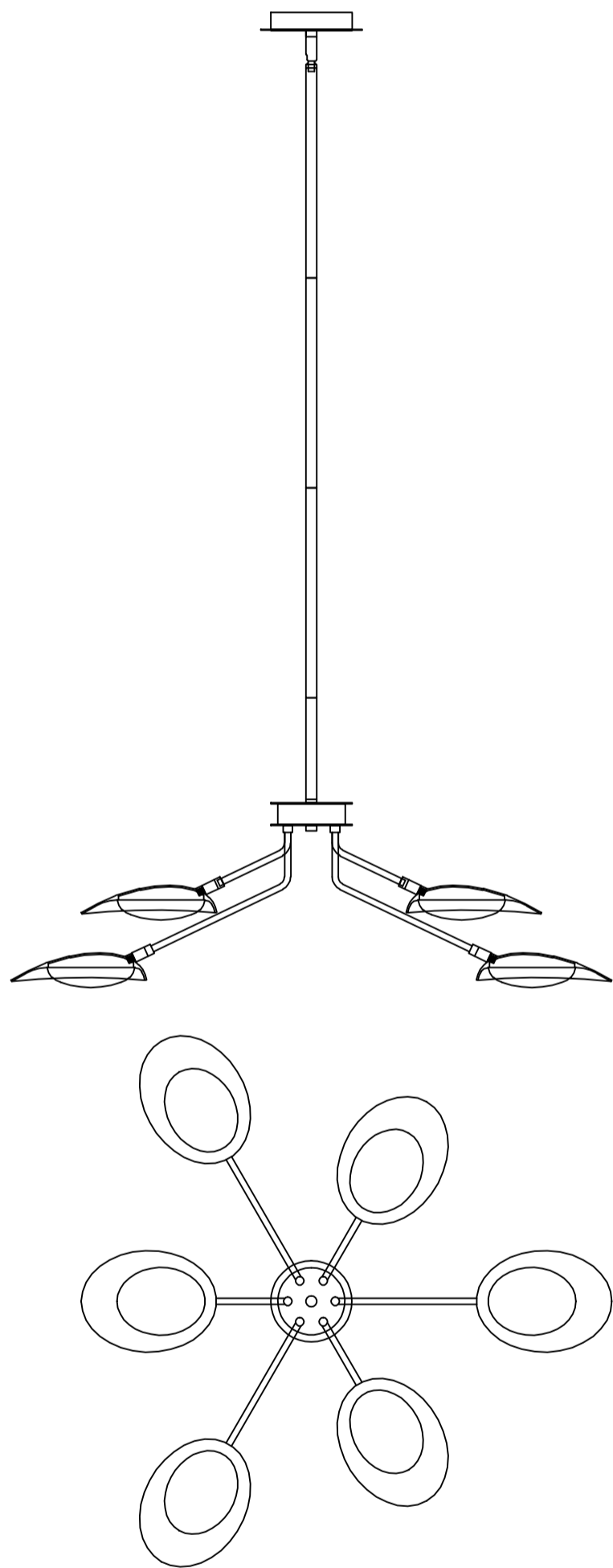




PRODUCT NAME: Scan
ITEM NUMBER: 21696BKSBR

Please consult your electrician for hanging fixture and wiring.



This fixture is designed to dim with an Electronic Low Voltage dimmer. Dimming levels will vary by dimmer. Below is a List of Recommended Dimmers:

- Lutron DVELV-330P**
- Lutron MAELV-600M**
- Lutron SAELV-153P**
- Leviton IPL06-10Z**
- Leviton 6674-POW**
- Legrand Tru-Universal ADTP703TUW4**

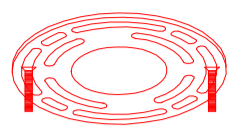
Due to inrush current wattage should not exceed 150 watts of product for a 600 watt dimmer.

Bulbs (Included): 6*6.5Watt AC LED

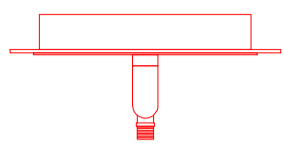
MADE IN CHINA

Page 1 of (2)

IMPORTANT: Turn off the power at the main fuse or circuit breaker box before starting installation



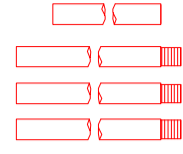
(A)
Bracket



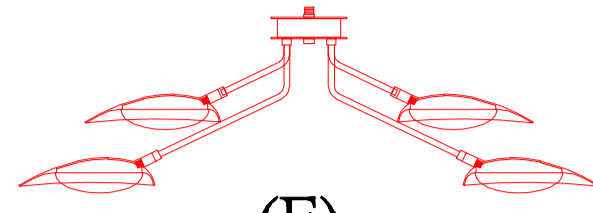
(B)
Canopy



(C)
Finial

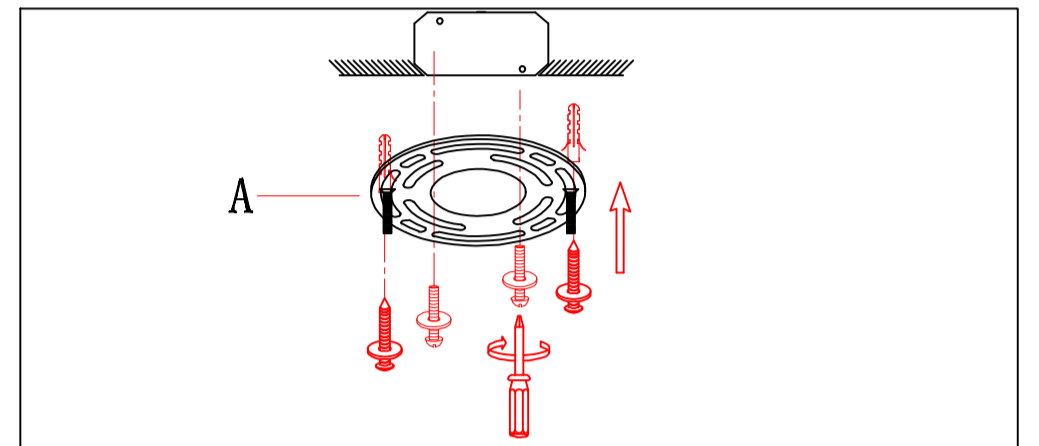
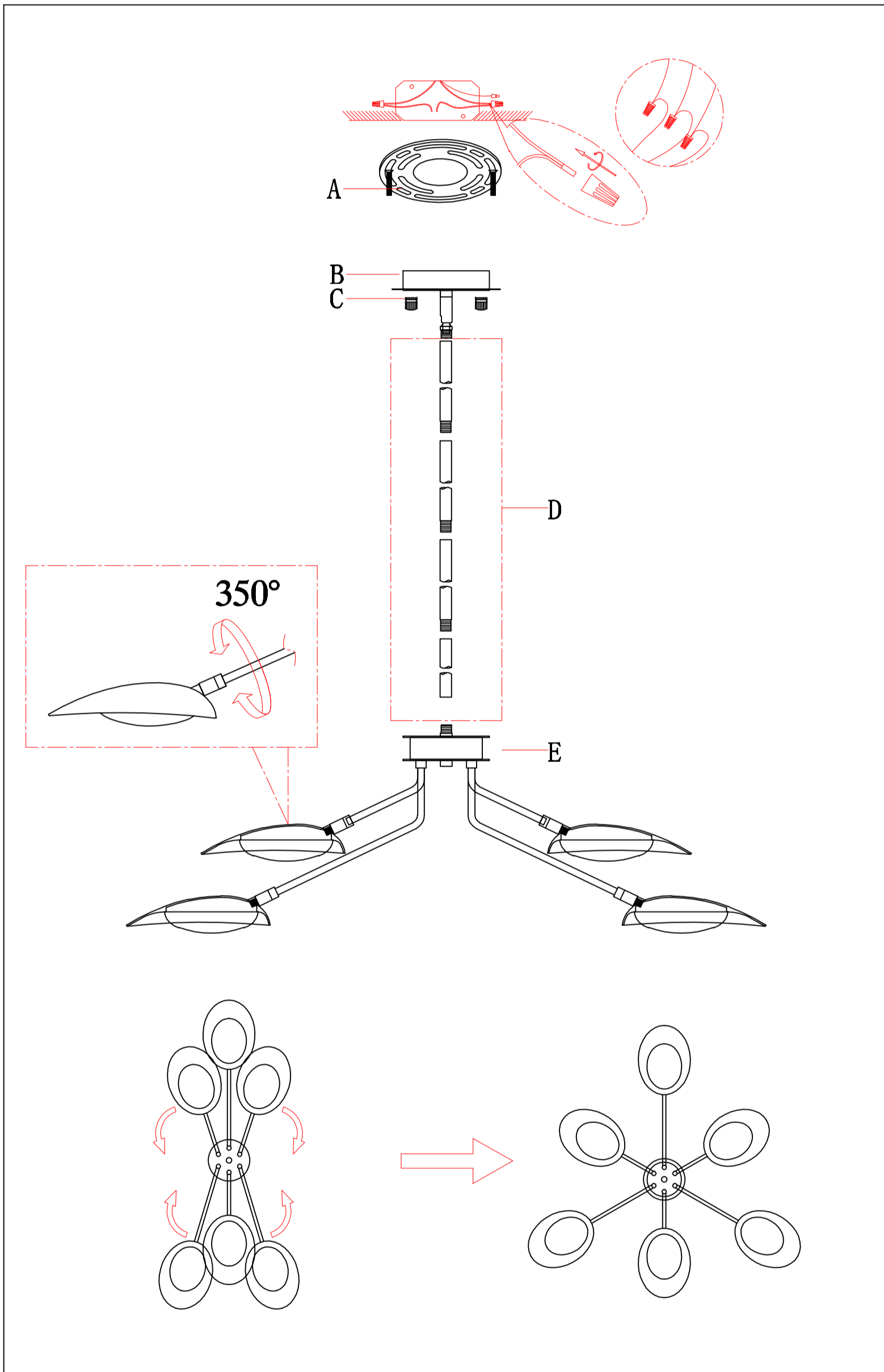


(D)
Stems

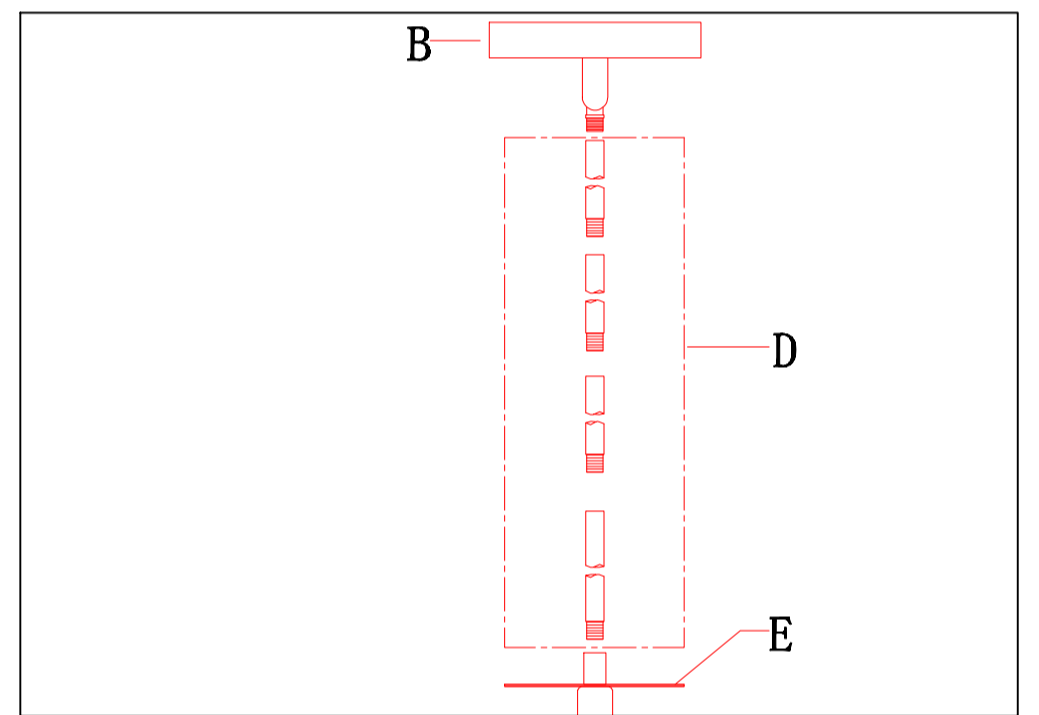


(E)
Fixture

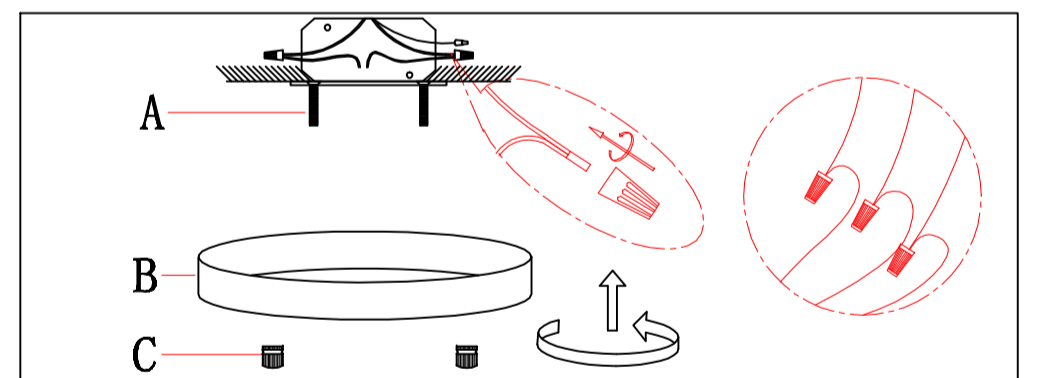
Locate all hardware & components before discarding packaging



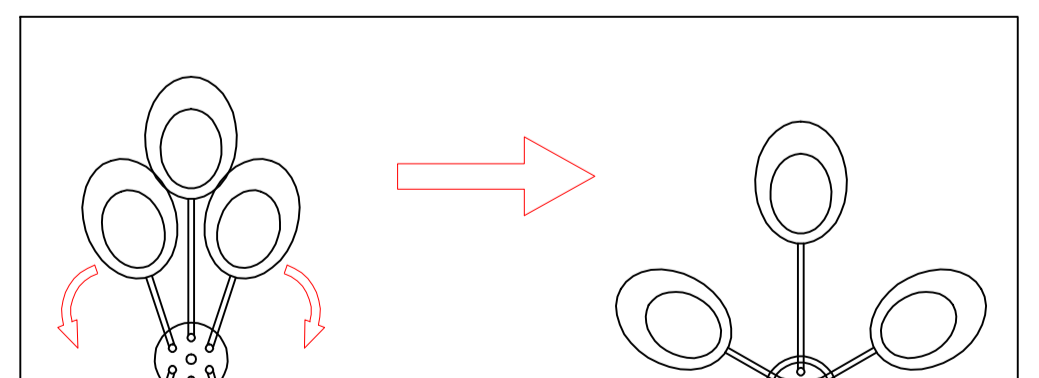
1.)
Step.1: Turn breaker off for circuit on outlet where fixture is to be installed. Remove mounting bracket(A) from the fixture, and install to electrical box.



2.)
Step.2: Install combination of stems(D) with canopy(B) & fixture (E) to achieve desired mounting height.



3.)
Step.3: Wire fixture wires on outlet box, green wire is for ground. Secure the finial(C) onto the mounting bracket(A), until the canopy (B) is flush with ceiling.



4.)
Step.4: Adjust the arms with Shade to the correct position.

Cleaning & Care:

Clean with soft cloth and a mild detergent.
Do not use abrasive cleaner.