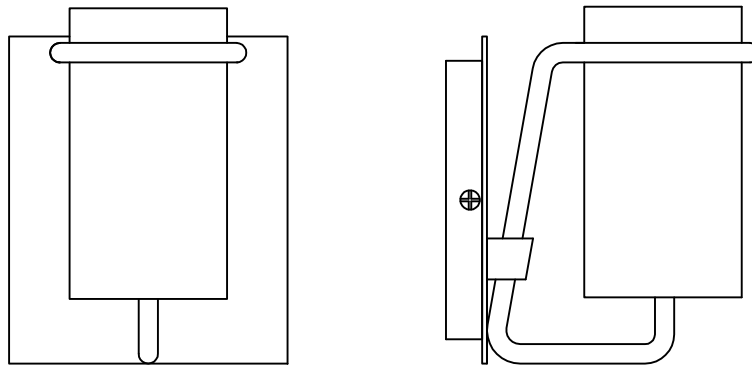




PRODUCT NAME: Avant 1LT Wall Sconce
NUMBER: 22021

Please consult your electrician for Hang fixture and wiring.



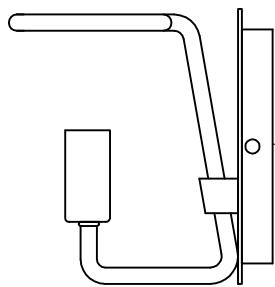
Caution: Xenon Bulbs get very hot and may burn you. Always make sure bulbs are off for a minimum of 10 minutes before handling. Fixture may be dimmed using an electronic low voltage dimmer.

Bulb(included) : 1*G9 Xenon Frost 40W

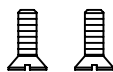
MADE IN CHINA

Page 1 of (3)

IMPORTANT: Turn off power at the main fuse or circuit breaker box before starting installation



(A) Body

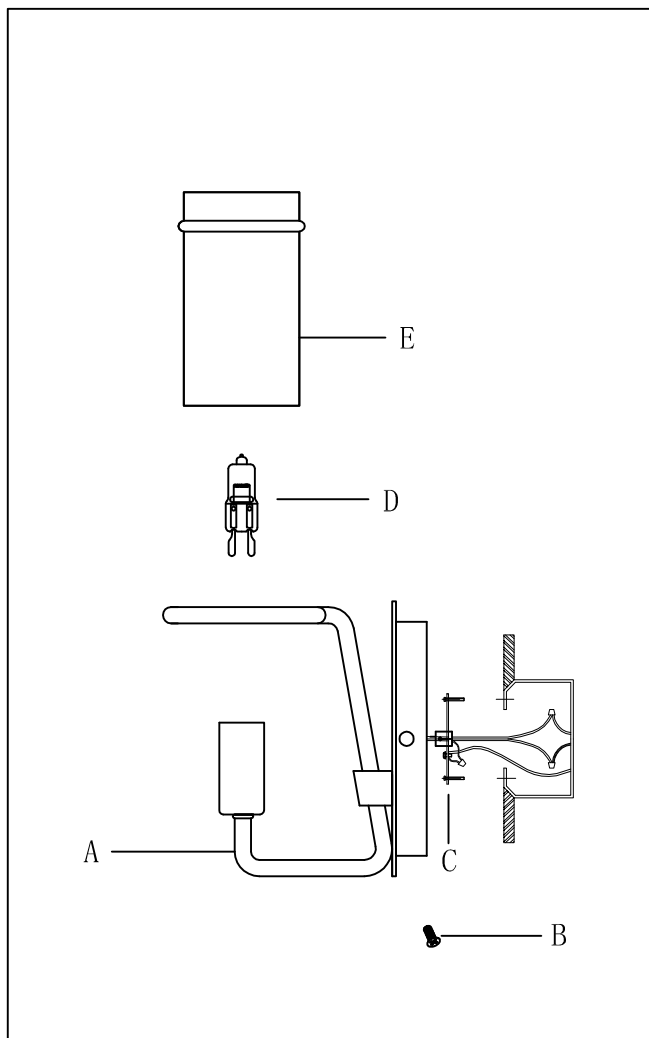


(B) Support screw

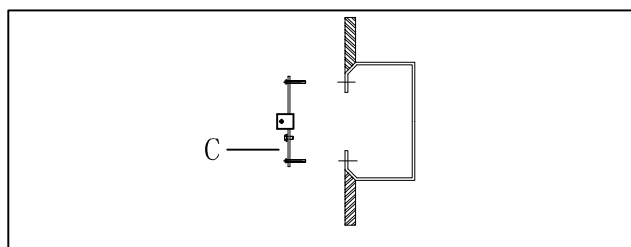


(C) Mounting bracket

Locate all hardware & components before discarding packaging

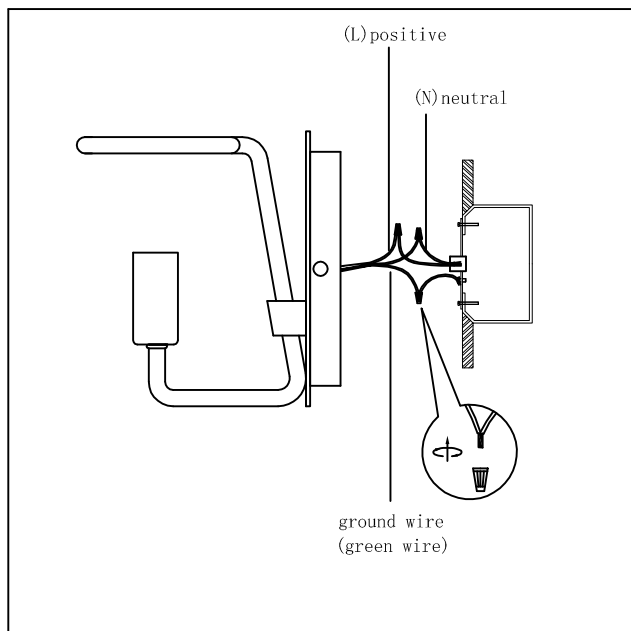


1.)



Step. 1: Install mounting bracket (C) to outlet box.

2.)



Step. 2: Wire fixture to wires in outlet box. Copper/green wire is for Ground.

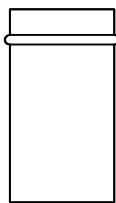
Cleaning & Care:

Clean with soft cloth and a mild detergent.
Do not use abrasive cleaner.

IMPORTANT: Turn off power at the main fuse or circuit breaker box before starting installation

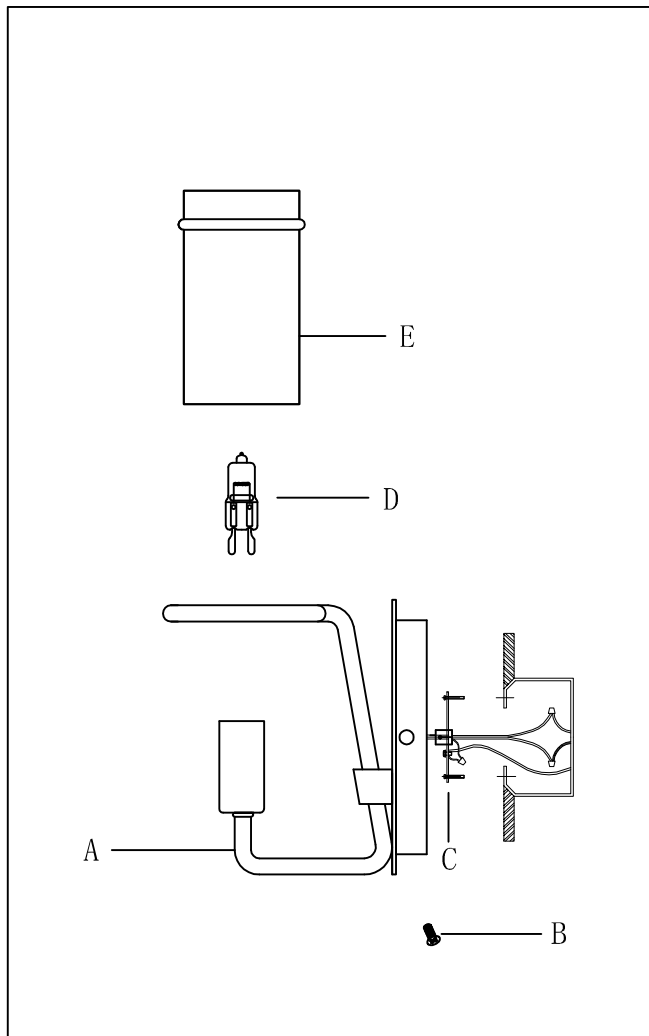


(D) Bulb

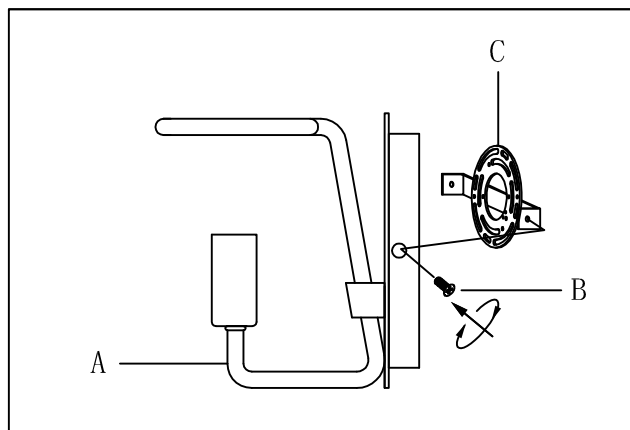


(E) Glass

Locate all hardware & components before discarding packaging

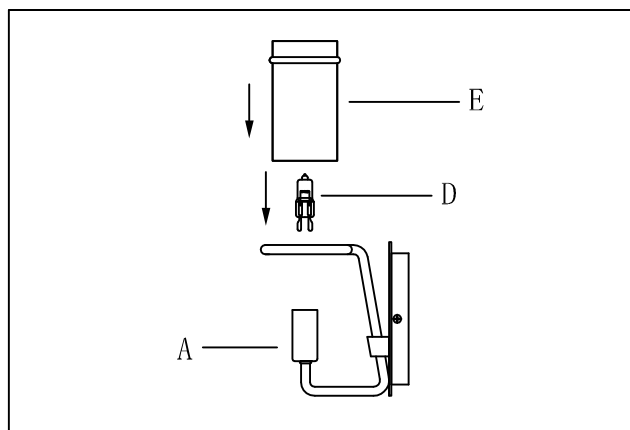


3.)



Step. 3: Install fixture to bracket (C) and tighten ball nuts (B) on the backplate to secure.

4.)



Step. 4: Install bulb (D) on the fixture, and put the glass (E) on the socket.

Cleaning & Care:

Clean with soft cloth and a mild detergent.
Do not use abrasive cleaner.