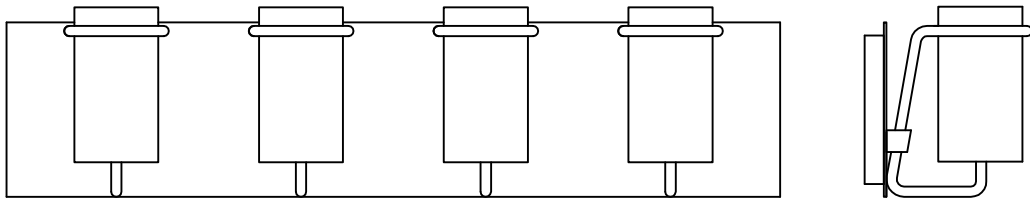




PRODUCT NAME: Avant 4LT Wall Sconce  
NUMBER: 22024

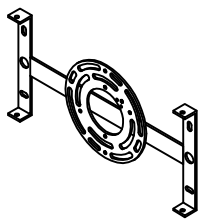
Please consult your electrician for Hang fixture and wiring.



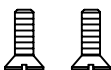
Caution: Xenon Bulbs get very hot and may burn you. Always make sure bulbs are off for a minimum of 10 minutes before handling. Fixture may be dimmed using an electronic low voltage dimmer.

Bulb (included) : 4\*G9 Xenon Frost 40W

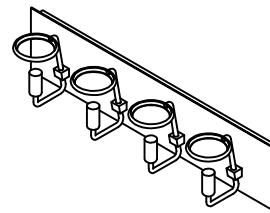
**IMPORTANT:** Turn off power at the main fuse or circuit breaker box before starting installation



(A) Bracket

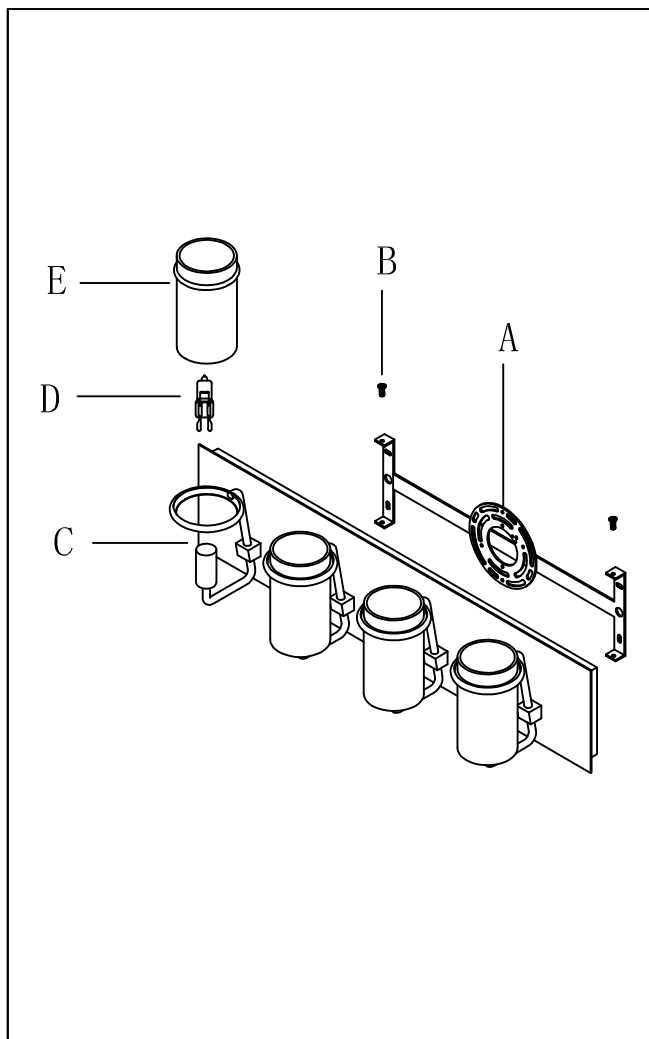


(B) Support screw

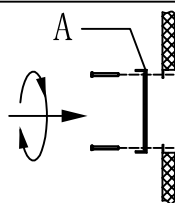


(C) Body

Locate all hardware & components before discarding packaging

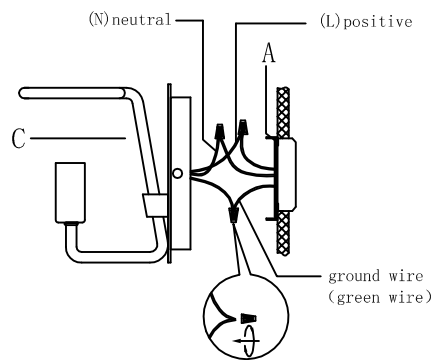


1.)



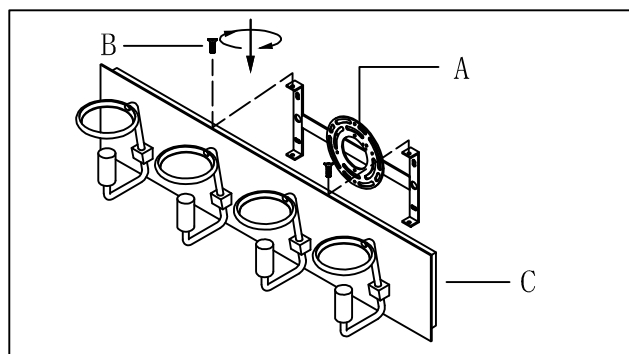
**Step. 1:** Remove mounting bracket (A) from fixture and install to electrical box.

2.)



**Step. 2:** Wire fixture to wires in outlet box. Copper/Green wire is for Ground.

3.)



**Step. 3:** Install fixture to bracket (A) and tighten ball nuts (B) on the backplate to secure.

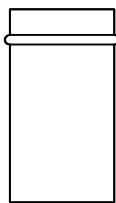
#### Cleaning & Care:

Clean with soft cloth and a mild detergent.  
Do not use abrasive cleaner.

**IMPORTANT:** Turn off power at the main fuse or circuit breaker box before starting installation

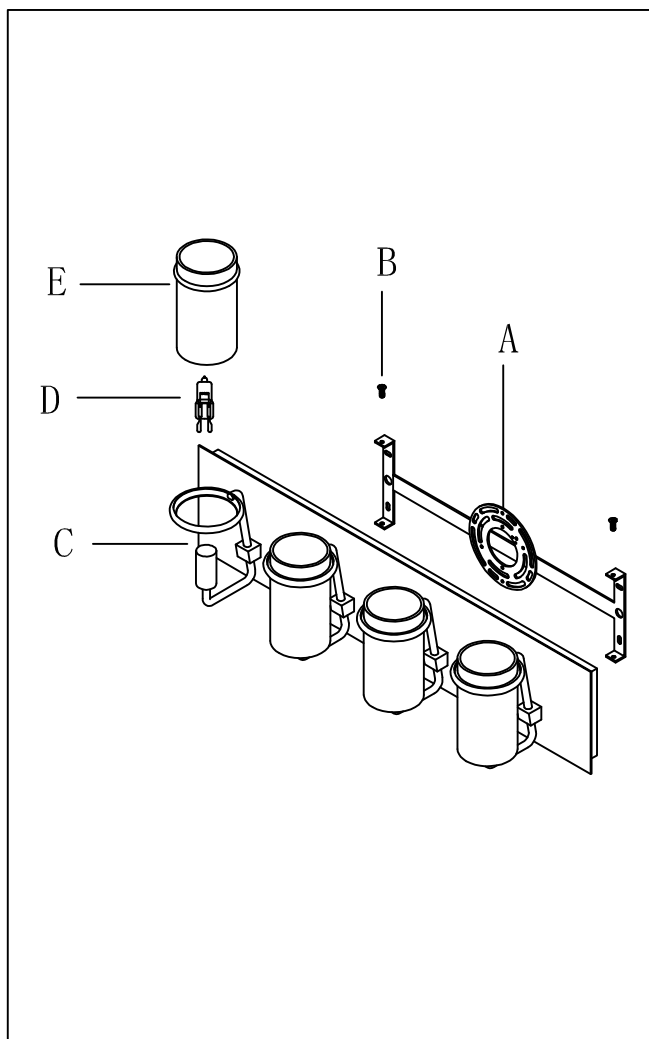


(D) Bulb

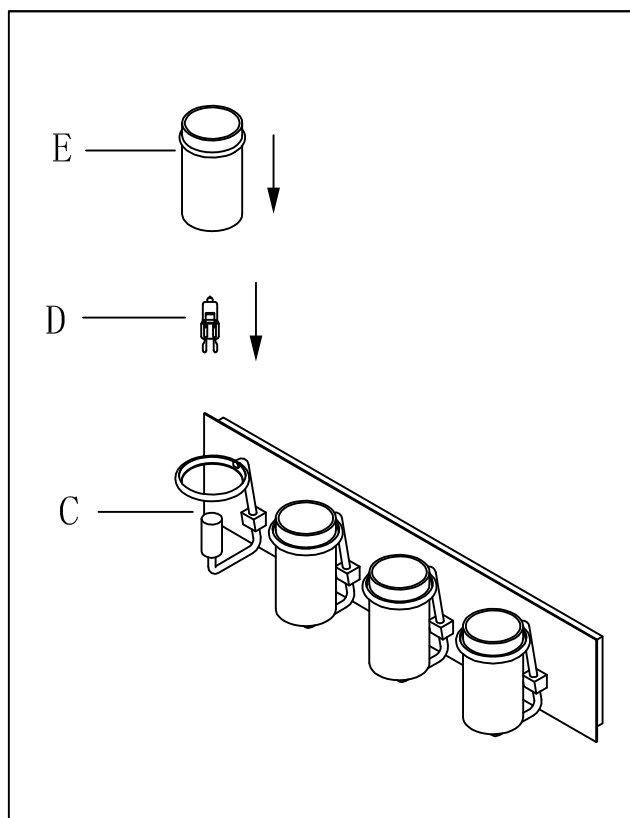


(E) Glass

Locate all hardware & components before discarding packaging



4.)



**Step. 4:** Install bulb (D) on the fixture, and put the glass (E) on the socket.

**Cleaning & Care:**

Clean with soft cloth and a mild detergent.  
Do not use abrasive cleaner.