

1. Turn the nipple into the coupler, please make sure 10mmL nipple be insert into the coupler at least.  
( Please refer to the drawing Fig A ).
2. Attach the cover ,cover 1 ,tube and cover 2 to the nipple then secure by the loop, please make sure the loop is tight.
3. Screw the finial to the nipple 1 till tight.
4. Attach the glasses to the sockets then secure by the socket rings .

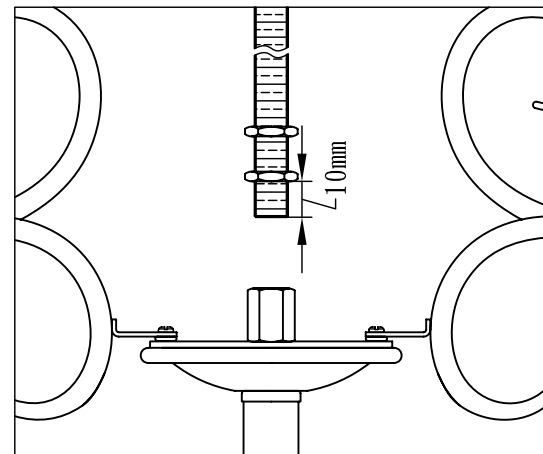


Fig A

