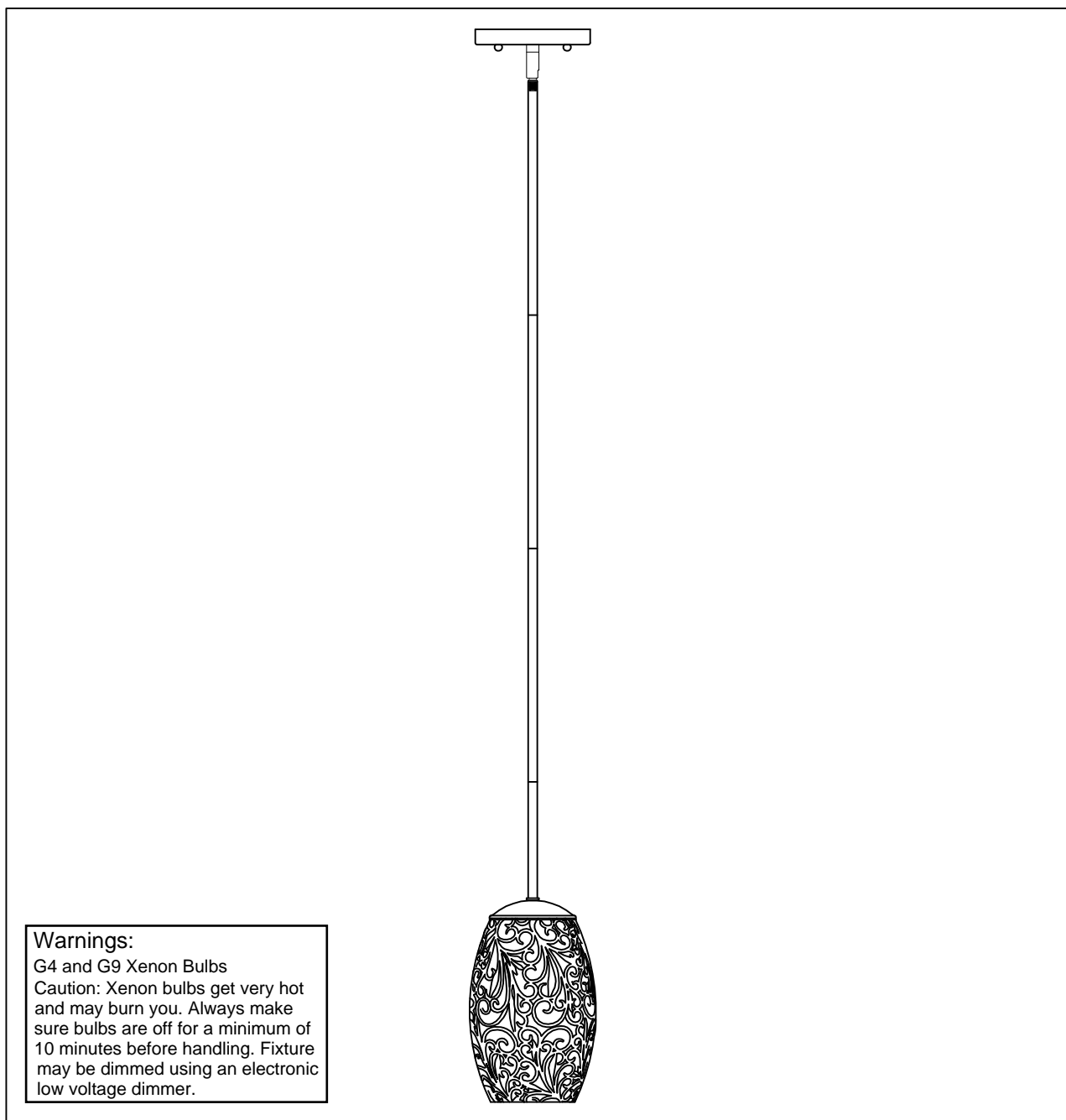




PRODUCT NAME: Arabesque
ITEM NUMBER: 24151

Please consult your electrician for Hang fixture and wiring.



Warnings:

G4 and G9 Xenon Bulbs

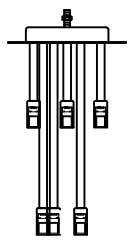
Caution: Xenon bulbs get very hot and may burn you. Always make sure bulbs are off for a minimum of 10 minutes before handling. Fixture may be dimmed using an electronic low voltage dimmer.

Bulb(included) :40W G9 Xenon Clear

**PRODUCTS ARE NOT INENDED
FOR COMMERCIAL USE.**

**MADE IN CHINA
Page 1 of (4)**

IMPORTANT: Turn off power at the main fuse or circuit breaker box before starting installation



(A) Body



(B) Crystal



(C) Arabesque

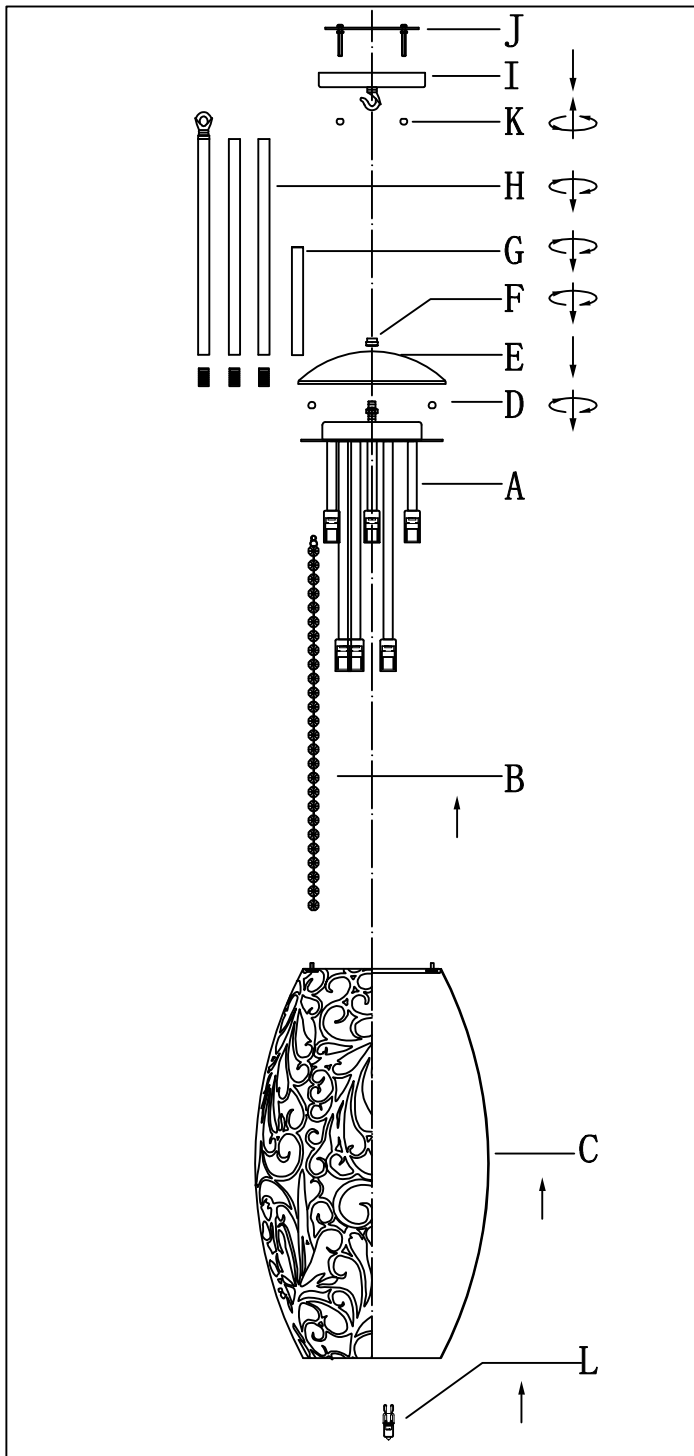


(D+K) Ball nut

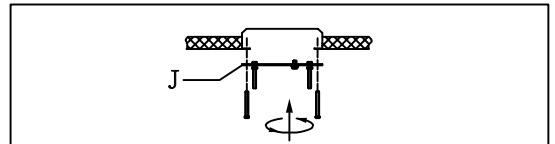


(E) Spinning Cover

Locate all hardware & components before discarding packaging

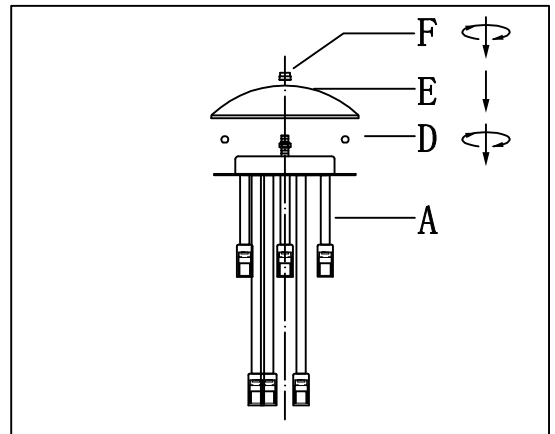


1.)



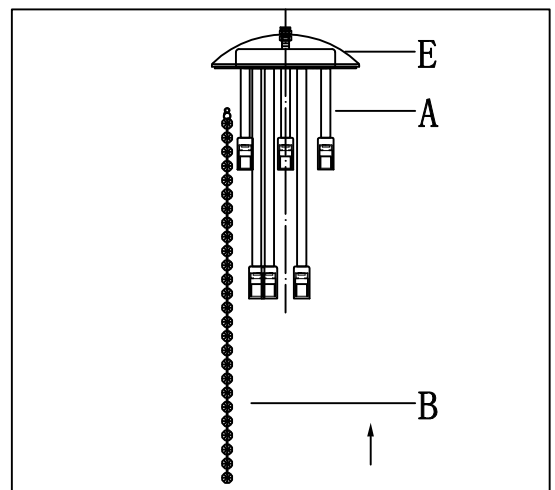
Step. 1: Remove mounting bracket(J) from fixture and install to electrical box.

2.)



Step. 2: Make sure nipple passes through arc cover then tighten with washer.

3.)

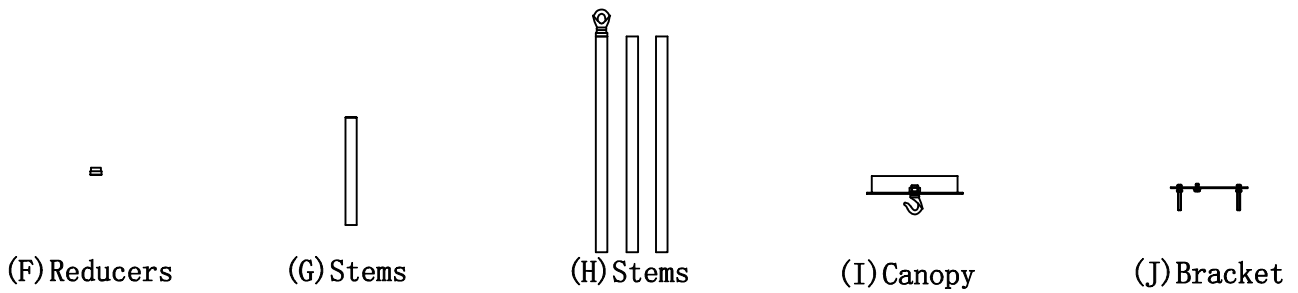


Step. 3: Hang the crystal.

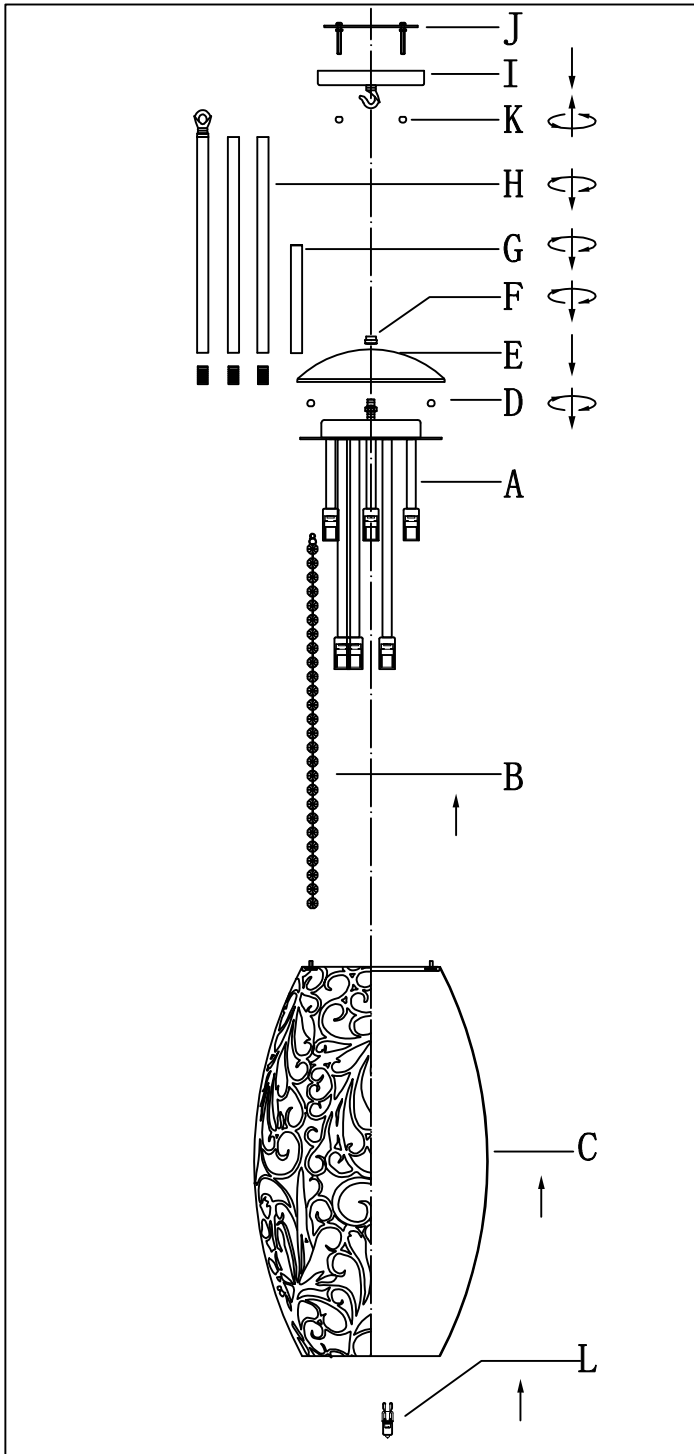
Cleaning & Care:

Clean with soft cloth and a mild detergent.
Do not use abrasive cleaner.

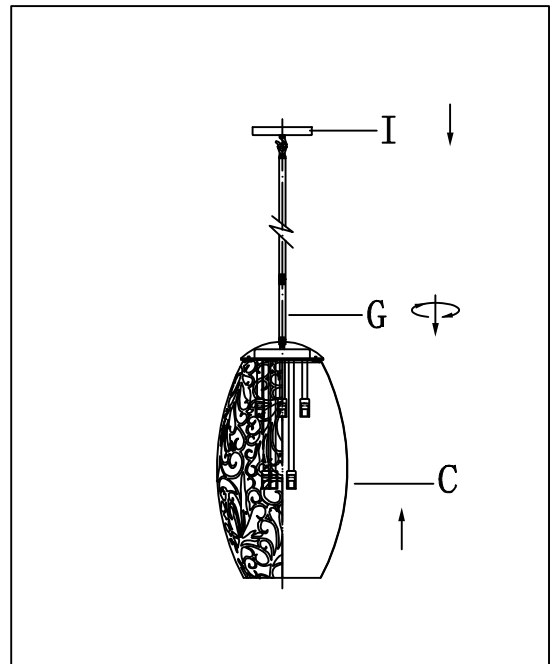
IMPORTANT: Turn off power at the main fuse or circuit breaker box before starting installation



Locate all hardware & components before discarding packaging

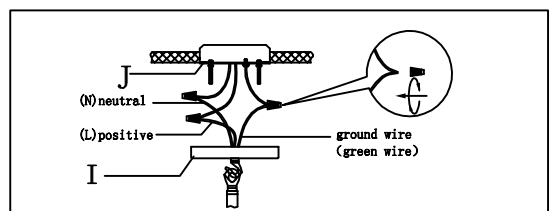


4.)



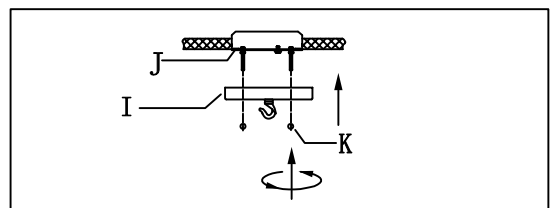
Step. 4: Run wire through stems (G+H) and combine stem lengths to meet desired mounting height.

5.)



Step. 5: Wire fixture to wires in outlet box. Copper/Green wire is for Ground.

6.)



Step. 6: Install fixture to bracket and tighten ball nuts (K) on the canopy to secure.

Cleaning & Care:

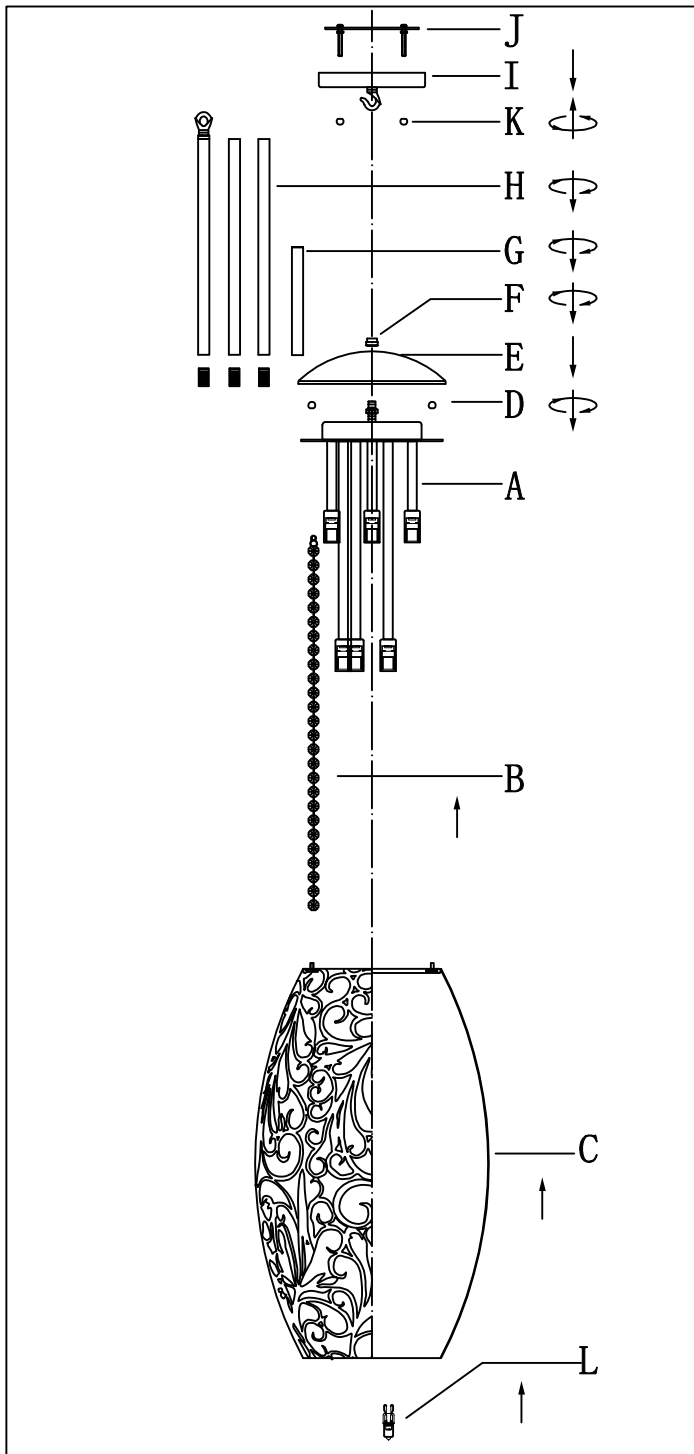
Clean with soft cloth and a mild detergent. Do not use abrasive cleaner.

IMPORTANT: Turn off power at the main fuse or circuit breaker box before starting installation

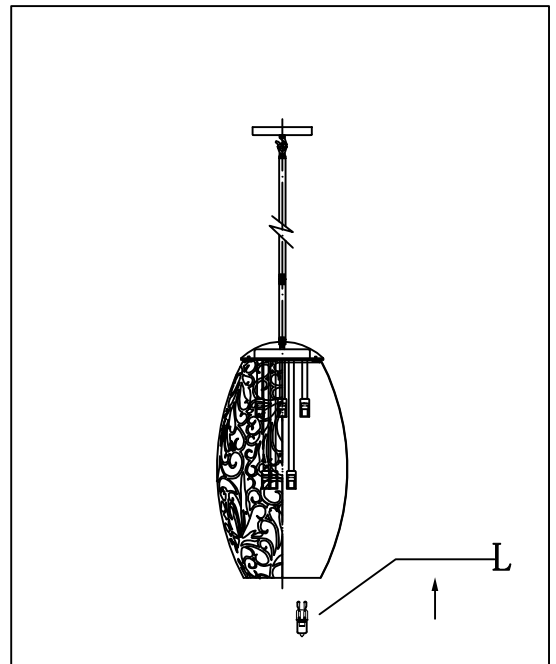


(L) Bulb

Locate all hardware & components before discarding packaging



7.)



Step. 7: Hang the crystal(B)
on lamp body(A)

Cleaning & Care:

Clean with soft cloth and a mild detergent.
Do not use abrasive cleaner.