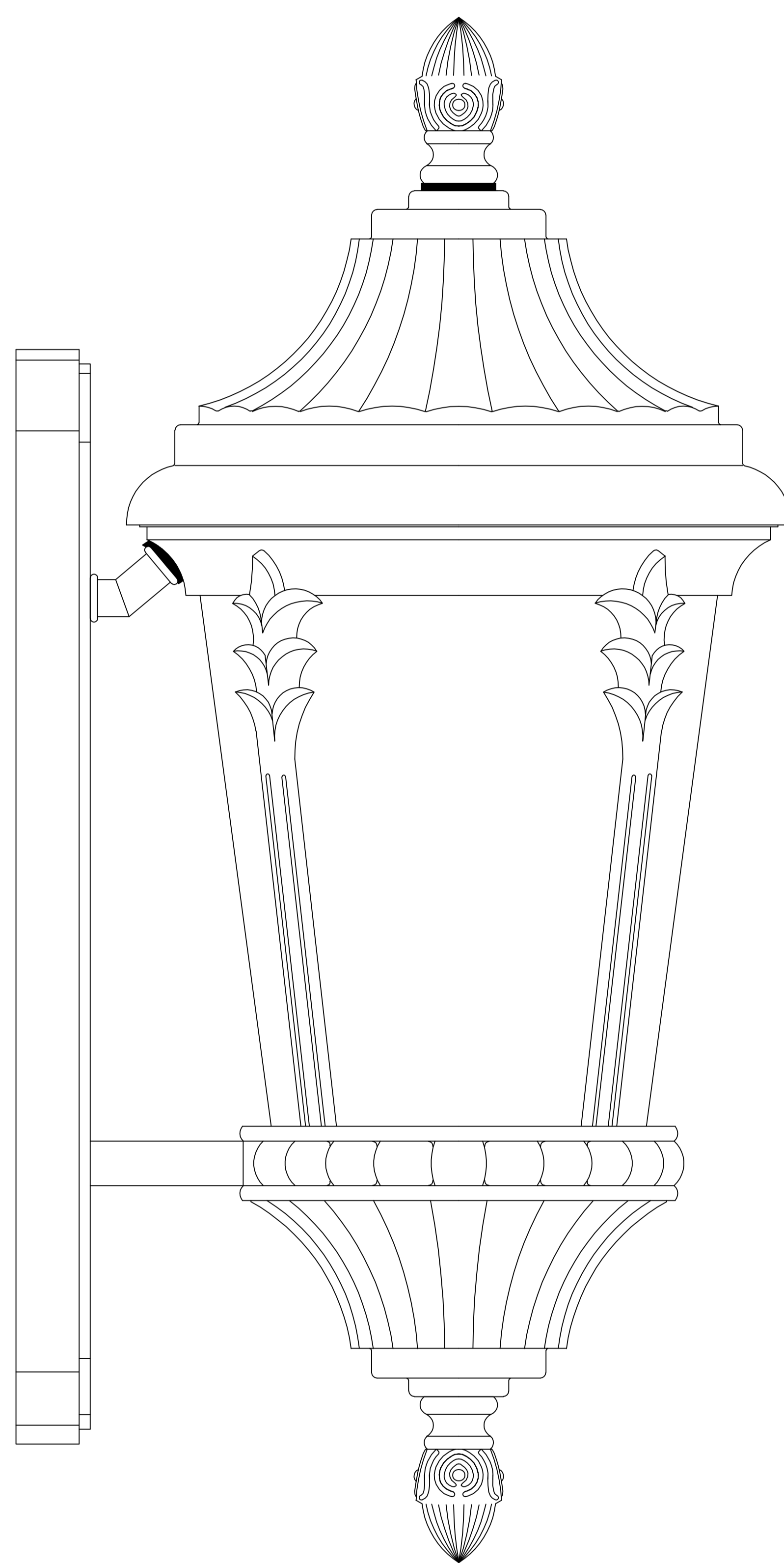




PRODUCT NAME: Sentry
ITEM NUMBER: 3053

Please consult your electrician for hanging fixture and wiring.



To prevent water intrusion, caulk around back-plate where fixture meets the wall using outdoor silicone sealant. Leave a small gap at the bottom to allow moisture to exit.

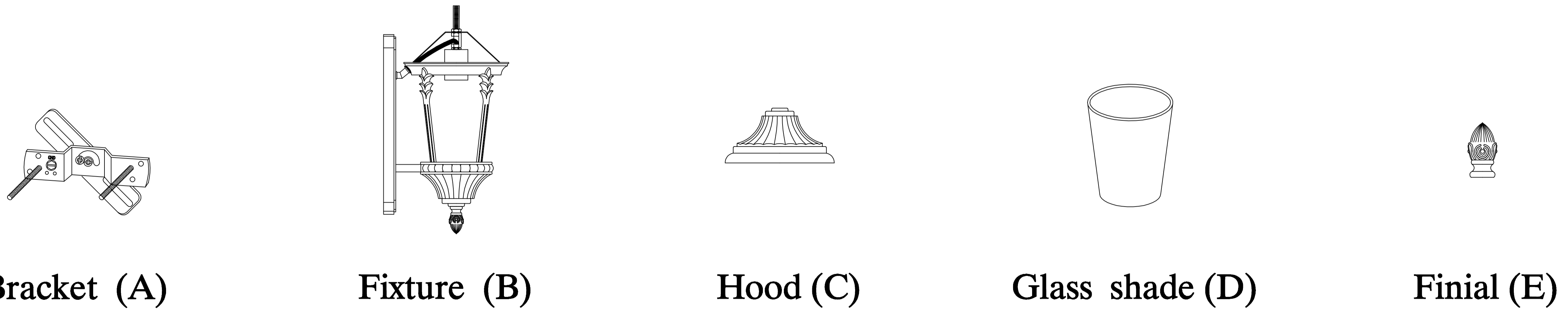
Bulb(not included) : 1×60W MB E26

MADE IN CHINA

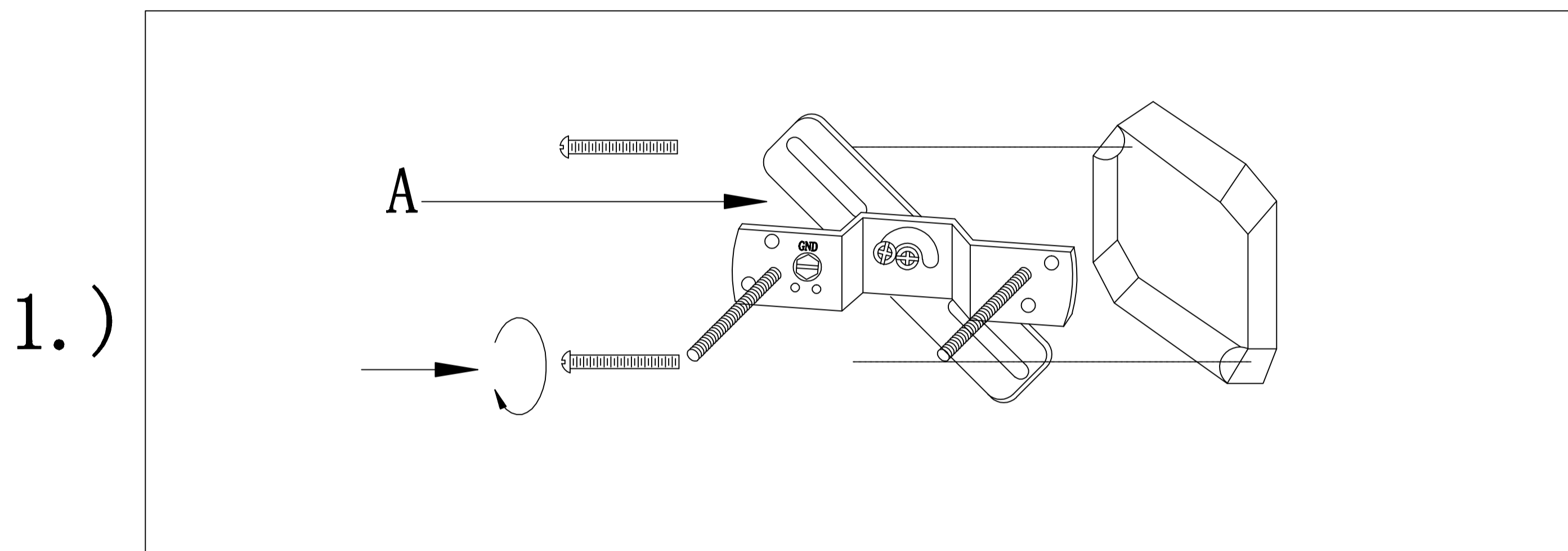


PRODUCT NAME: Sentry
 ITEM NUMBER: 3053

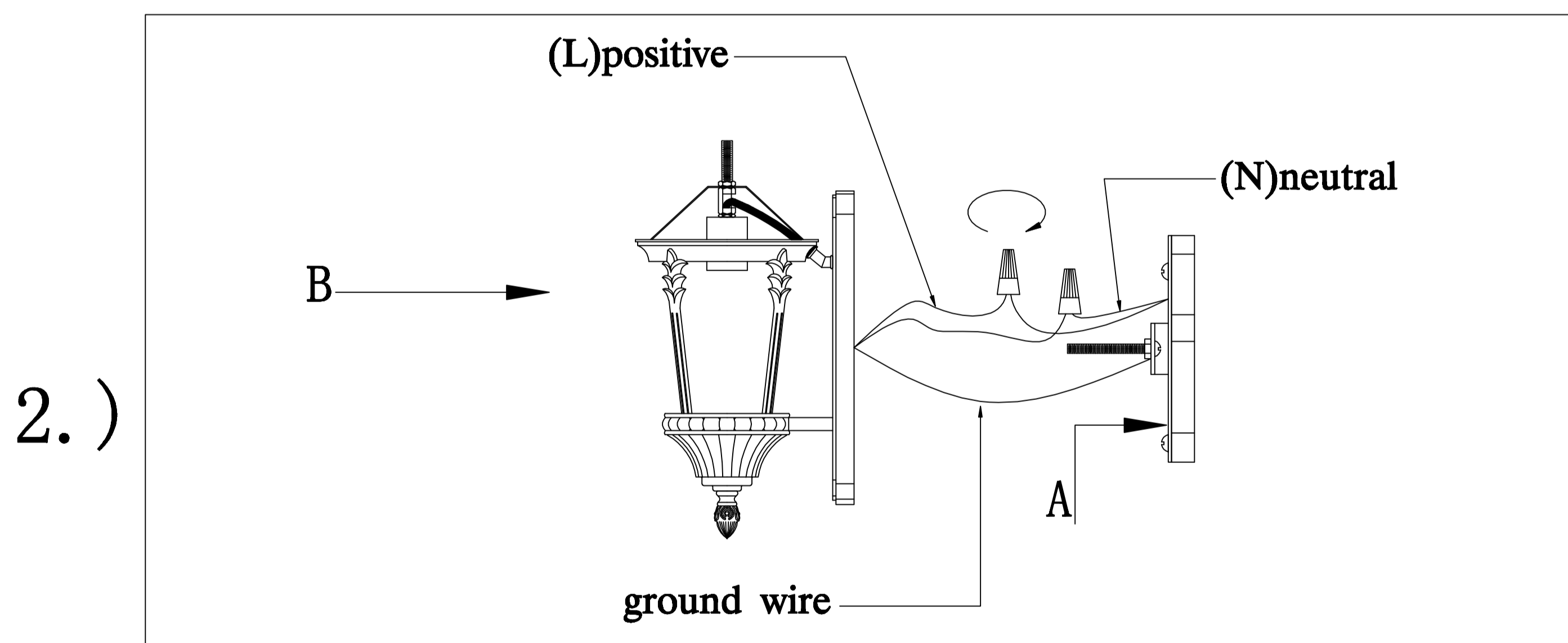
IMPORTANT: Turn off the power at the main fuse or circuit breaker box before starting installation.



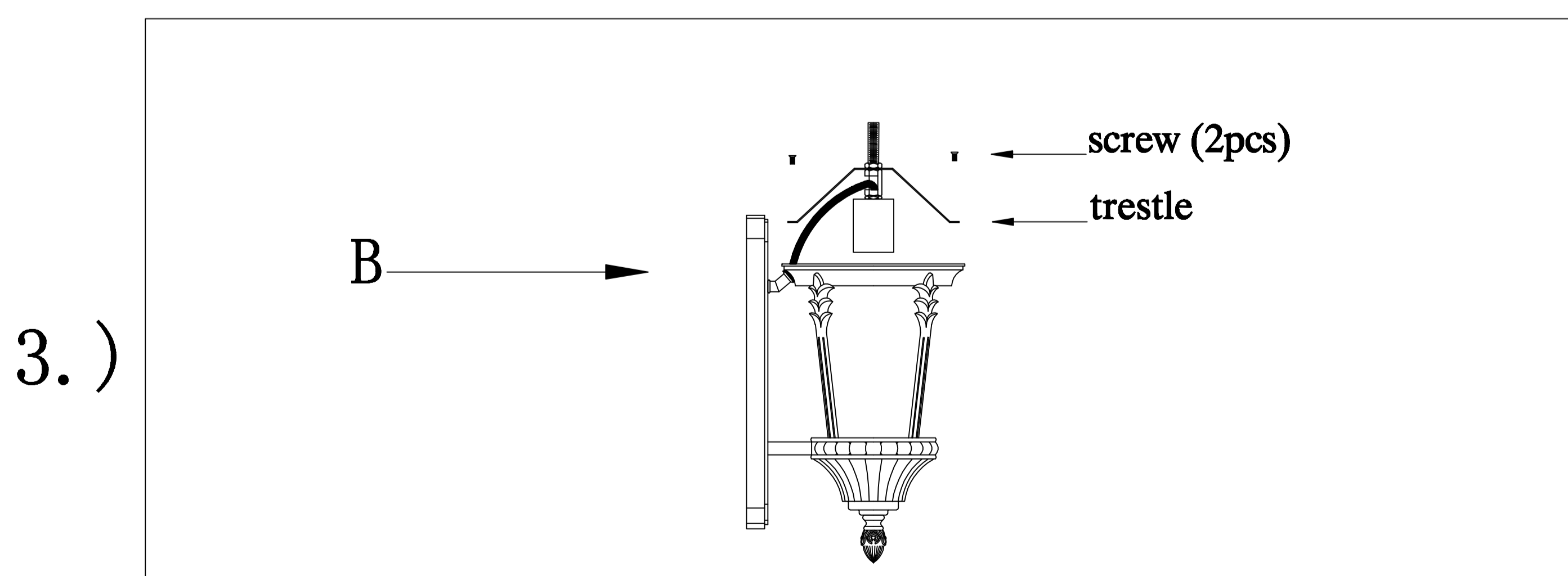
Locate all hardware & components before discarding packaging



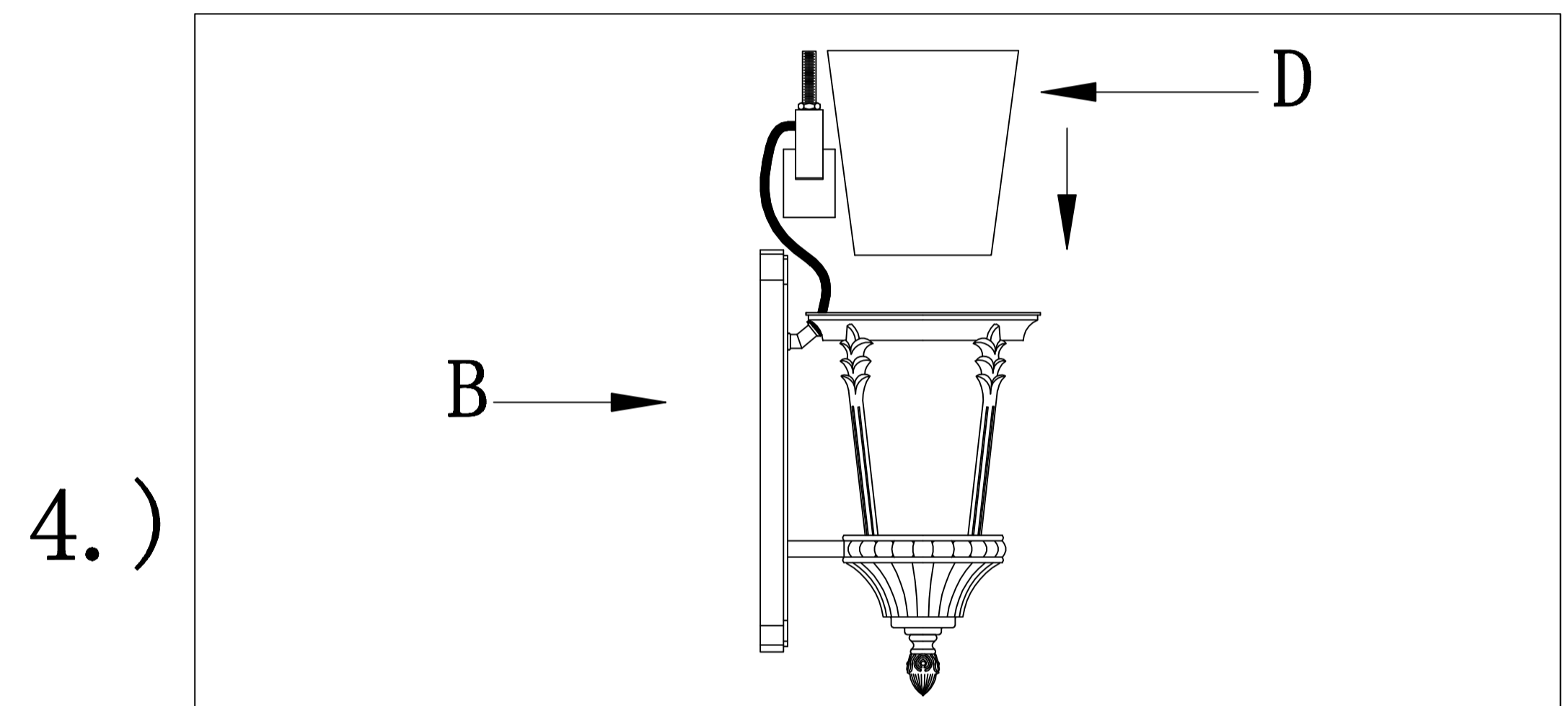
1.) Step.1: Remove mounting bracket from fixture(B) and install to electrical box. then wire fixture to wires in outlet box. Copper wire is for Ground.



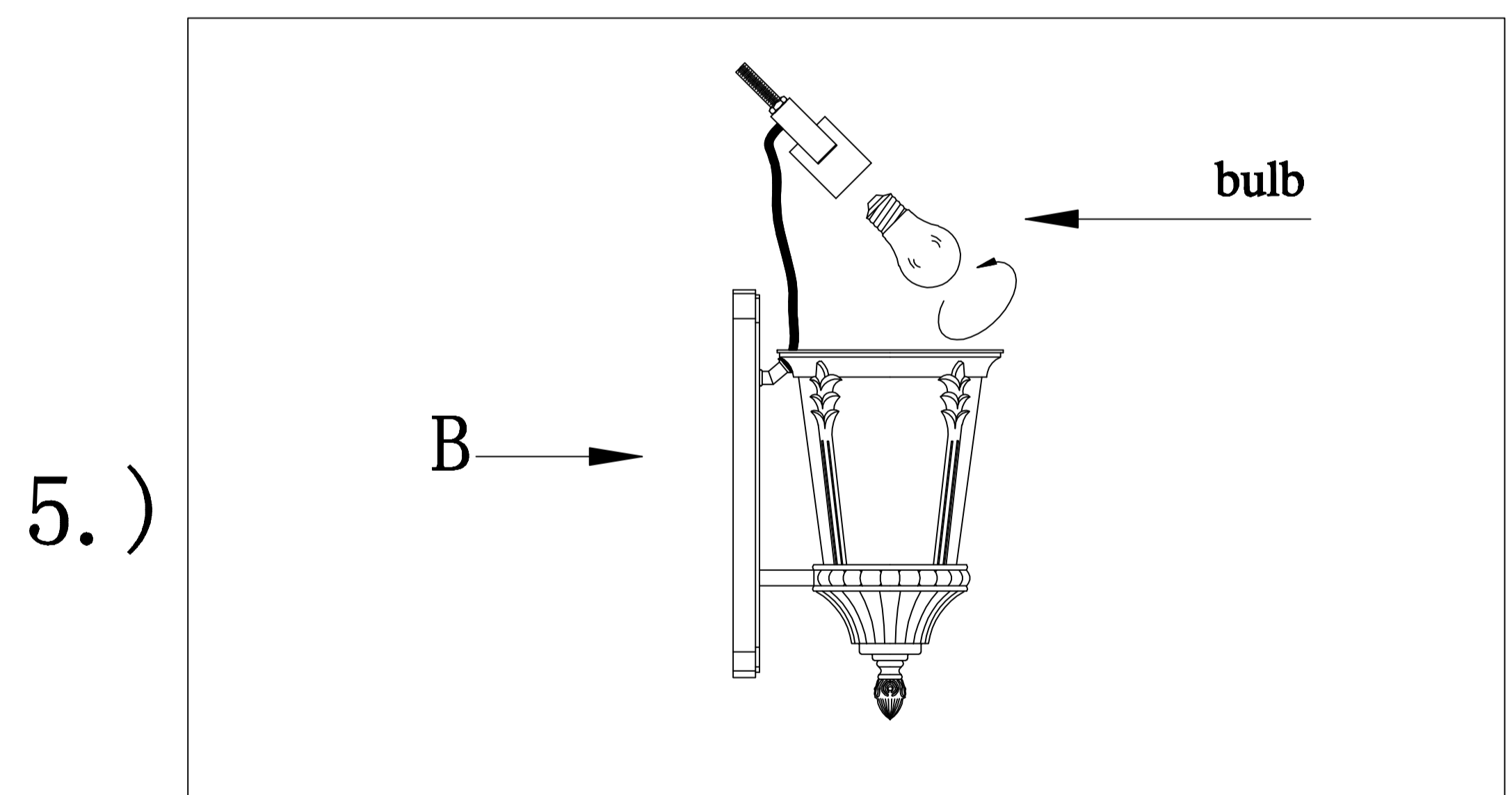
2.) Step.2: Attach back plate to mounting bracket and tighten ball nuts so fixture meets wall. Caulk fixture where back plate meets the wall with silicone sealant.



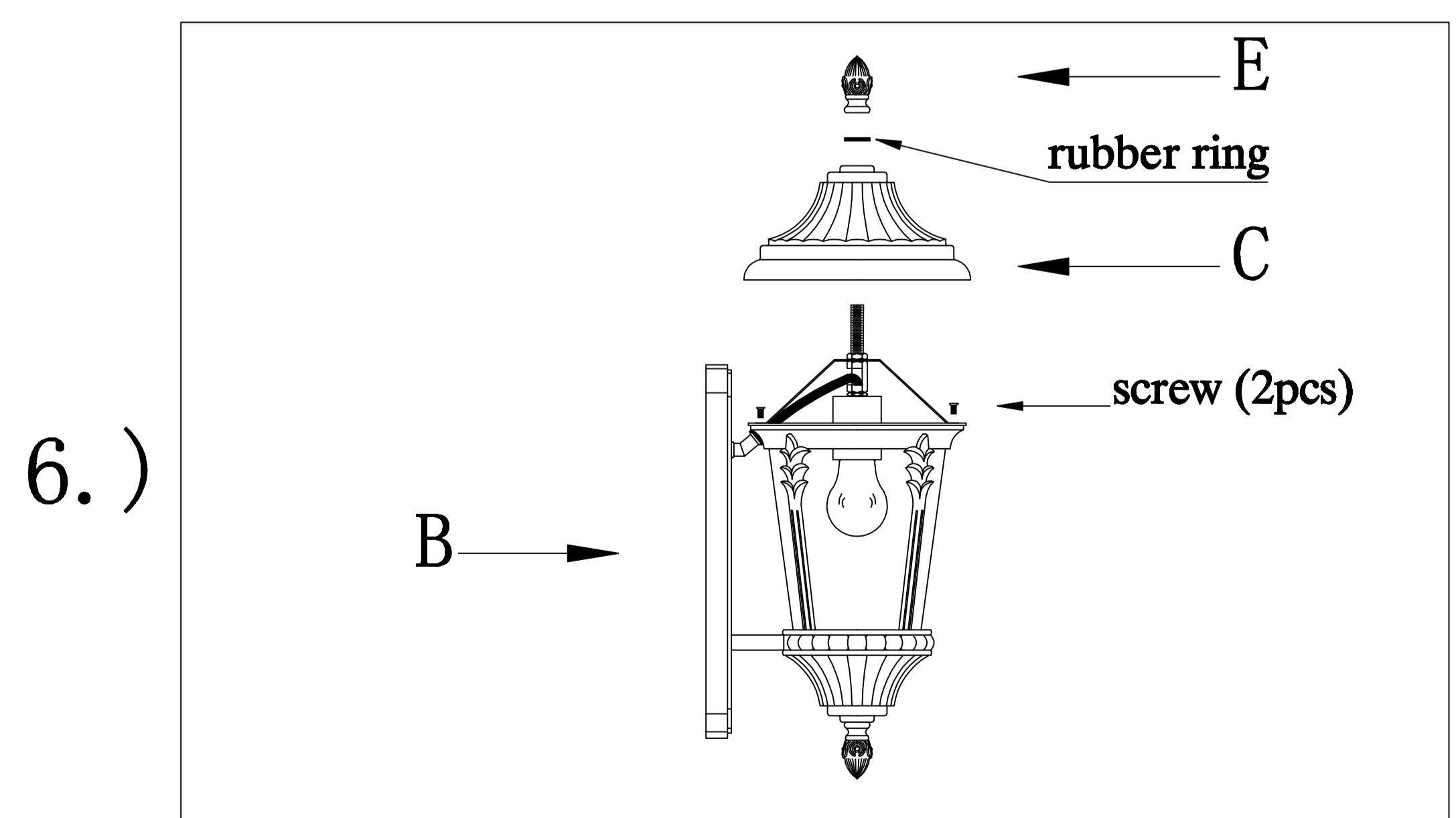
3.) Step.3: Remove 2 screws and loosen the trestle.



4.) Step.4: Install the glass shade(D) into the fixture(B).



5.) Step.5: Install MB bulb.



6.) Step.6: Attach trestle to the fixture (B), using 2 screws. Attach the hood(C) and the finial(E).

Cleaning & Care:

Clean with soft cloth and a mild detergent.
 Do not use abrasive cleaner.

MADE IN CHINA