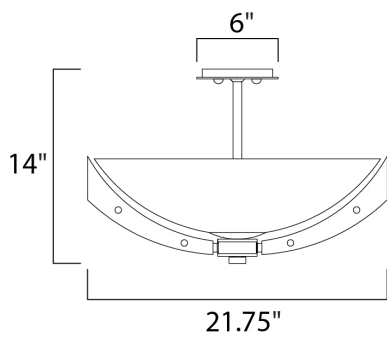




**PRODUCT DESCRIPTION**

A modern classic created using mixed medium in complimentary finishes that come together to compose a beautiful art form. Available in your choice of Wenge wood with Black and Polished Nickel accents or Antique Pecan wood with Bronze and Satin Brass. Tall Clear glass cylinders with a frosted band complement the scale of the design.



**MEASUREMENTS**

DIMENSION : 21.75" L x 21.75" W x 14" H  
 MAX OAH : 56" OAH  
 CANOPY : 6" W x 0.75" H x 6" L  
 HANGING WEIGHT : 17.1 lb  
 WIRE LENGTH : 120"

**LAMPING**

INPUT VOLTAGE : 120V  
 LUMENS : 1,960 Rated  
 BULB : 4 x 40W Xenon G9 , 160W Total  
 BULB INCLUDED : (Included)  
 DIMMABLE : Yes

**FINISHES OPTION**

- Black / Wenge
- Bronze / Antique Pecan

**GLASS**

Clear CL

**MATERIAL**

Steel, Wood, Glass

**RATINGS**

cETLus  
 Dry Location



**ADDITIONAL**

OPERATING TEMPERATURE:  
 -20°C (-4°F), 40°C (104°F)

Always consult a qualified electrician before installing any lighting product.

