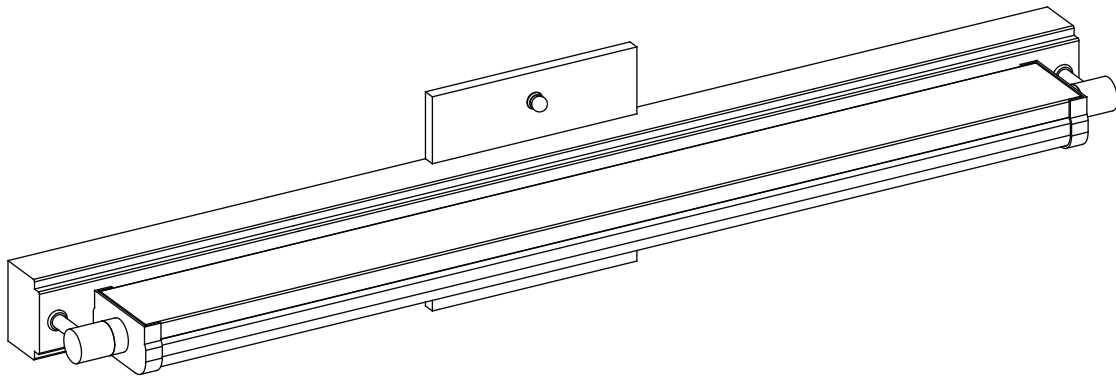




PRODUCT NAME: Director Wall Mount
ITEM NUMBER: 53033

Please consult your electrician for hanging fixture and wiring.

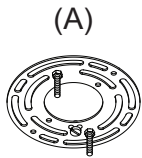


The fixture is designed to dim with a standard Triac forward phase dimmer. Dimming levels will vary by dimmer.
Below is a List of Recommended dimmers:
.Lutron MACL-153M
.Lutron DVL-153P
.Lutron SCL-153P
.Leviton IPL06-10Z
.Leviton 6674-POW
Due to inrush current wattage should not exceed 150 watts of product for a 600 watt dimmer.

WARNING: Wires need to be connected to driver found in canopy and should not be connected directly to power source or a short may occur.

Bulb (included): 1xLED 22.5W

IMPORTANT: Turn off the power at the main fuse or circuit breaker box before starting installation



Bracket

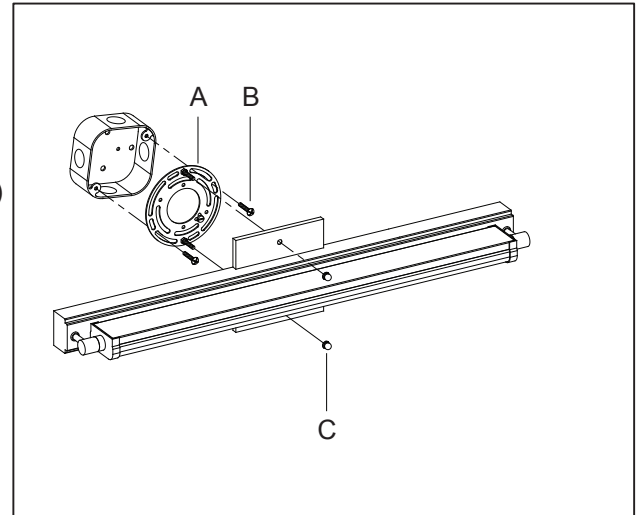
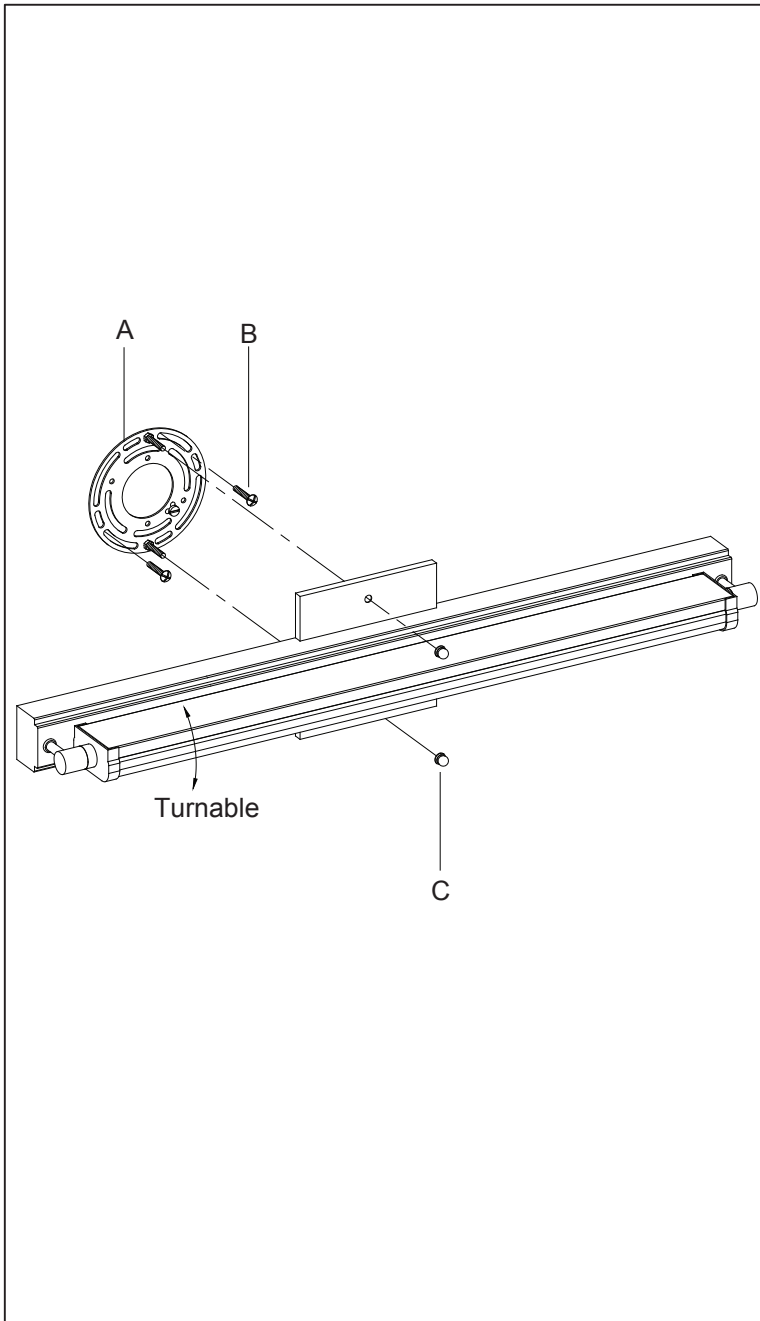


Mounting Screws
2Pcs

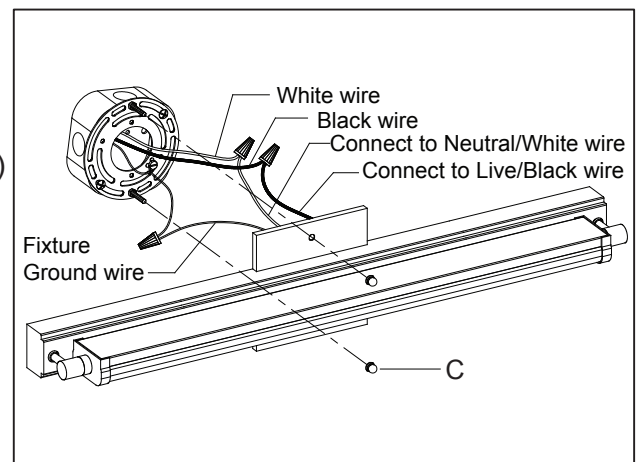


Ball Nuts
2Pcs

Locate all hardware & components before discarding packaging



Step1: Remove mounting bracket from fixture and install to electrical box.



Step2: Wire fixture to wires in outlet box. Copper wire is for Ground. Attach canopy to mounting bracket and tighten with ball nuts.

Cleaning & Care:
Clean with soft cloth and a mild detergent.
Do not use abrasive cleaner.