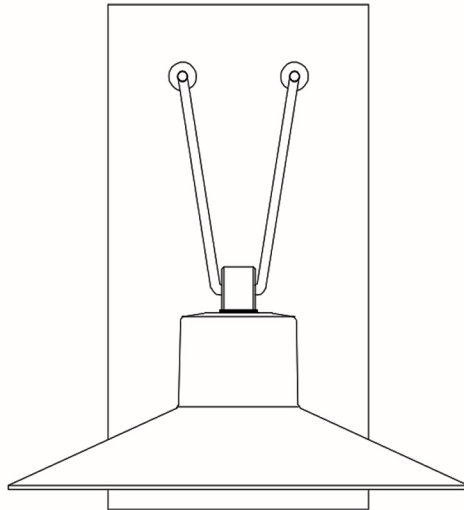




PRODUCT NAME: Civic Outdoor Lantern
ITEM NUMBERS: 54361 / 54363 / 54365

Please consult your electrician for hanging fixture and wiring.



WARNING:

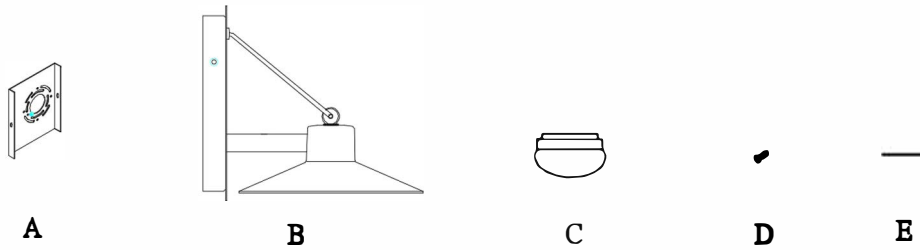
Fixture may be dimmed using an electronic low voltage dimmer.

Bulb (included): 6W / 11W / 11W LED

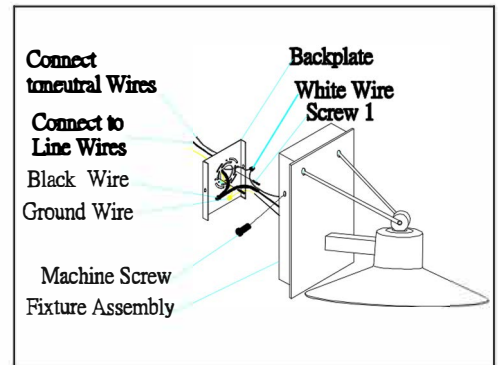
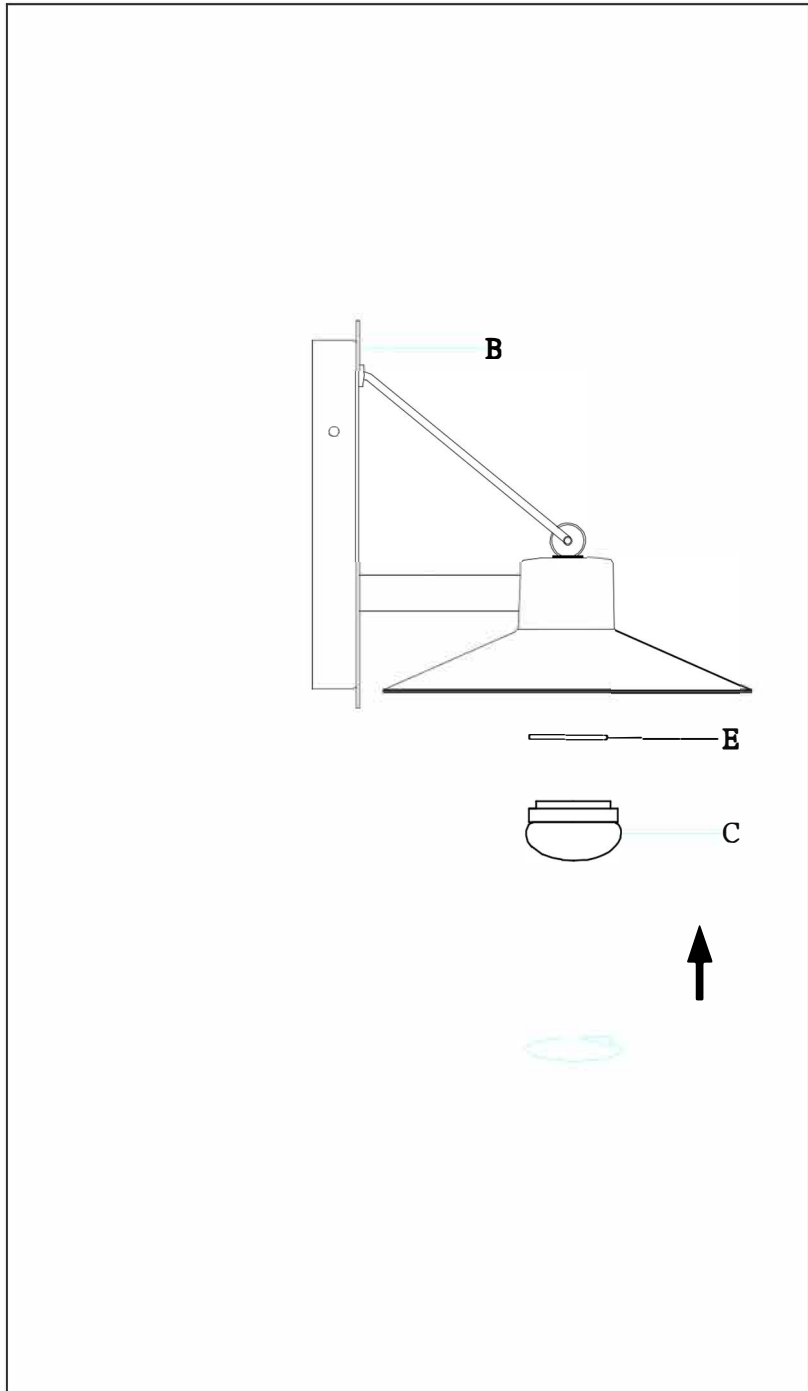
**PRODUCTS ARE NOT INTENDED
FOR COMMERCIAL USE**

MADE IN CHINA
Page 1 of (2)

IMPORTANT: Turn off the power at the main fuse or circuit breaker box before starting installation

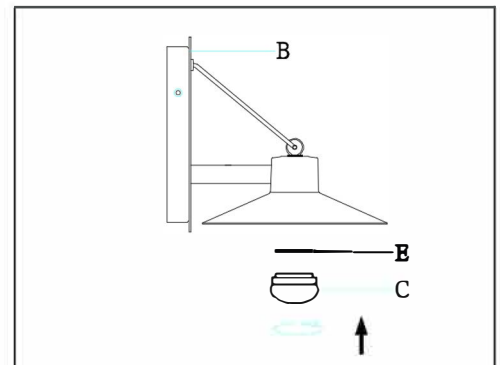


Locate all hardware & components before discarding packaging



1.)

Step 1: Remove mounting bracket from fixture and install it to the electrical box. Wire fixture to wires in outlet box. Green wire is for ground



2.)

Step 2: Put the rubber washer (E) on the glass and then lock until tight.

Note: the rubber washer (E) is packet with the canopy kit

Cleaning & Care:

Clean with soft cloth and a mild detergent Do not use abrasive cleaner.