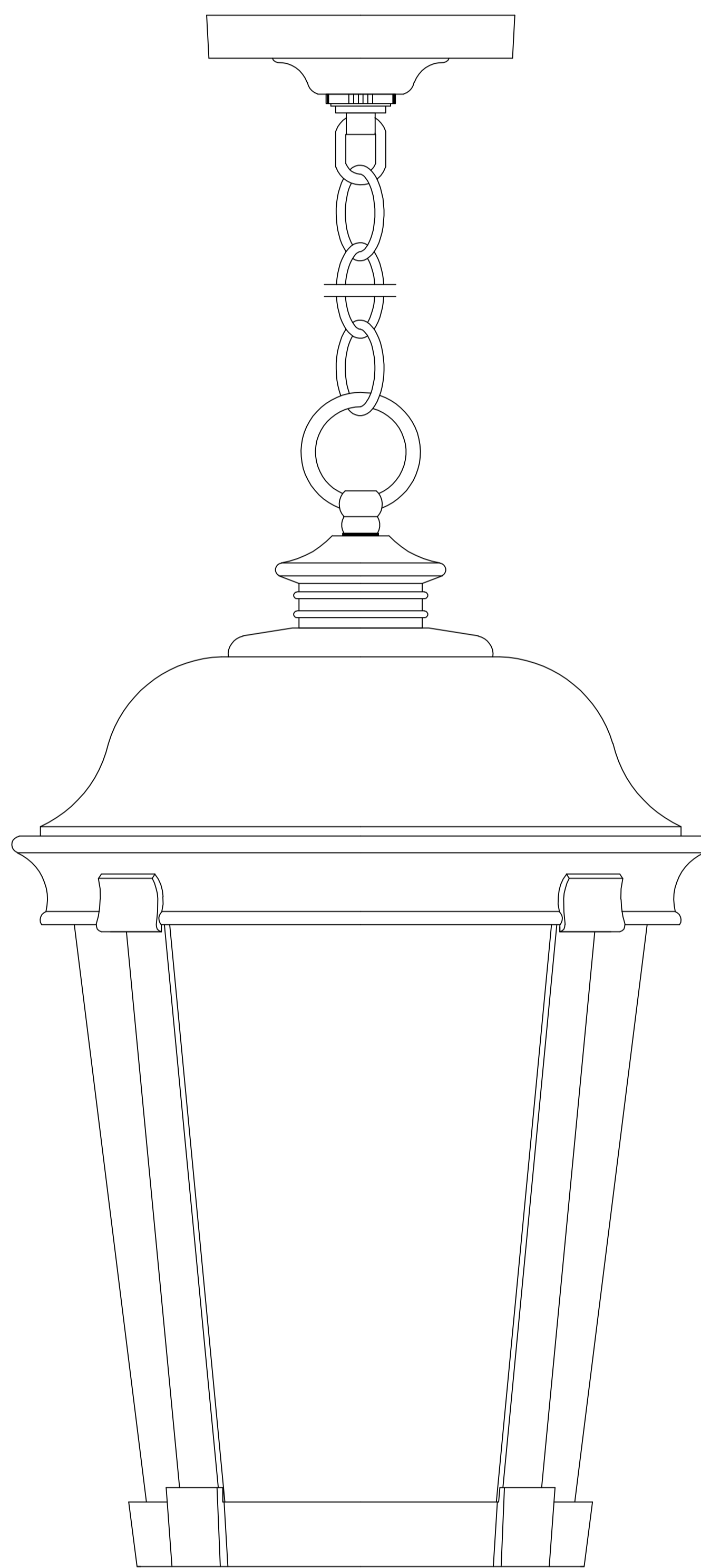




PRODUCT NAME: Dover  
ITEM NUMBER: 55099

Please consult your electrician for hanging fixture and wiring.

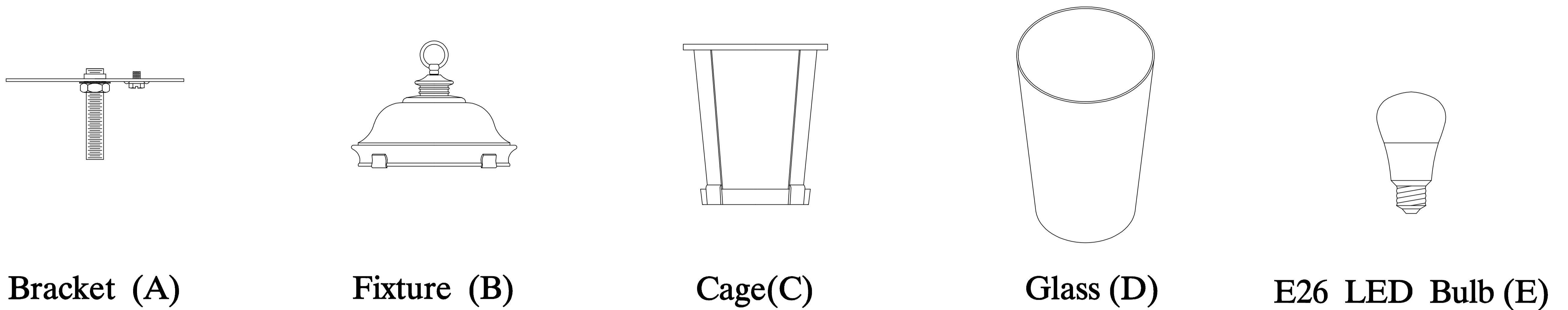


To prevent water intrusion, caulk around back-plate where fixture meets the wall using outdoor silicone sealant. Leave a small gap at the bottom to allow moisture to exit.

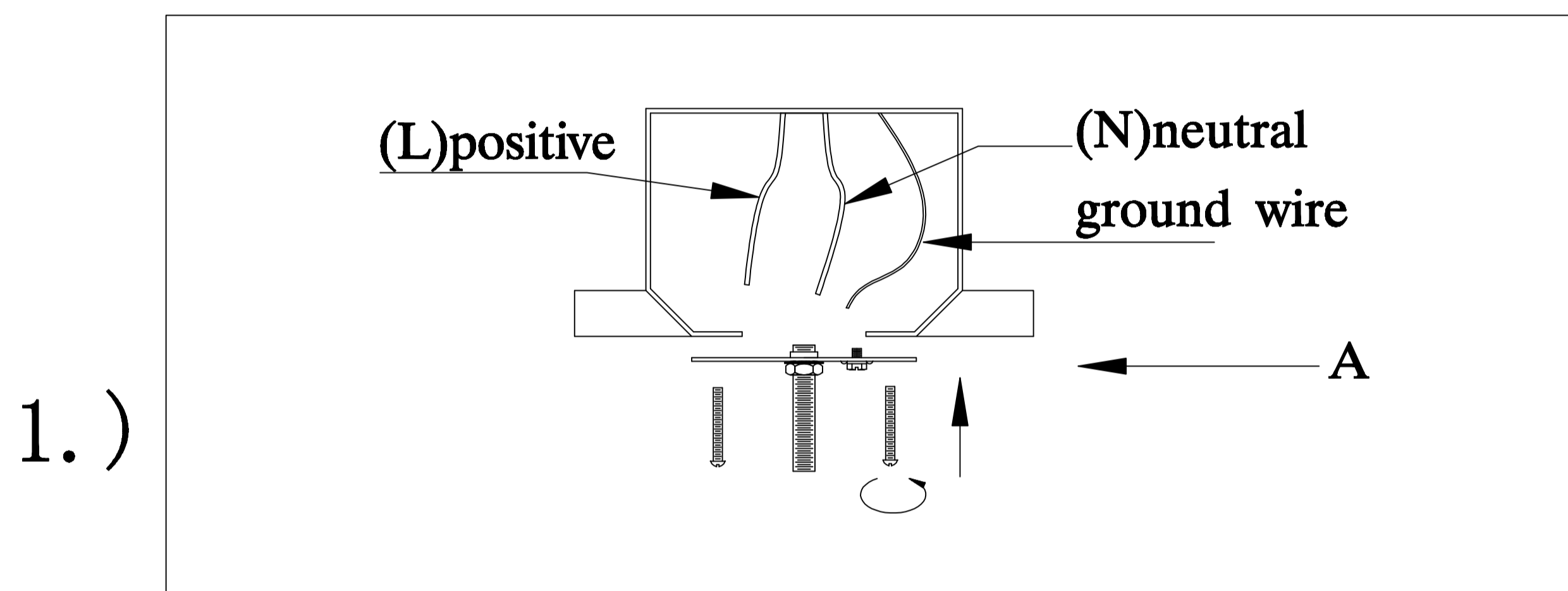
Bulb(included): 1×12W E26 LED

**PRODUCT NAME:** Dover  
**ITEM NUMBER:** 55099

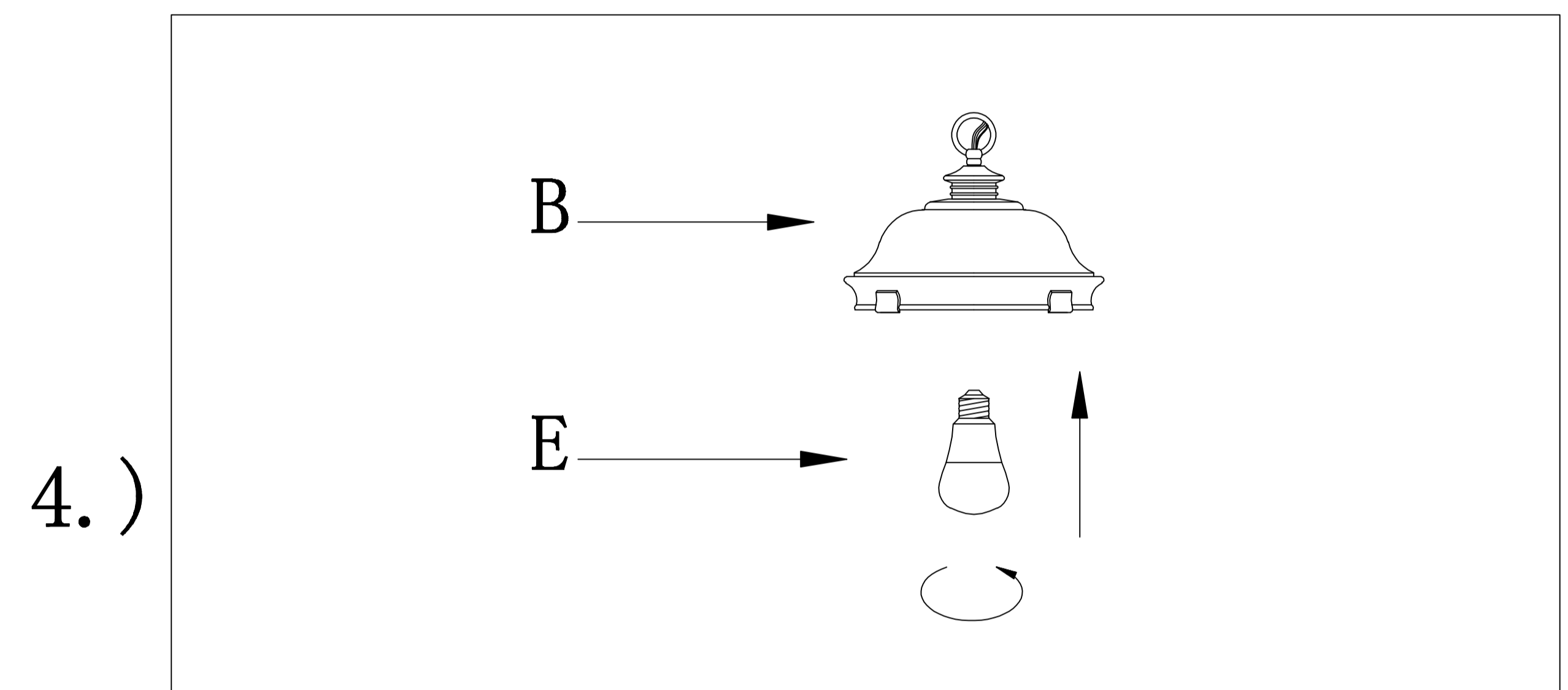
**IMPORTANT:** Turn off the power at the main fuse or circuit breaker box before starting installation.



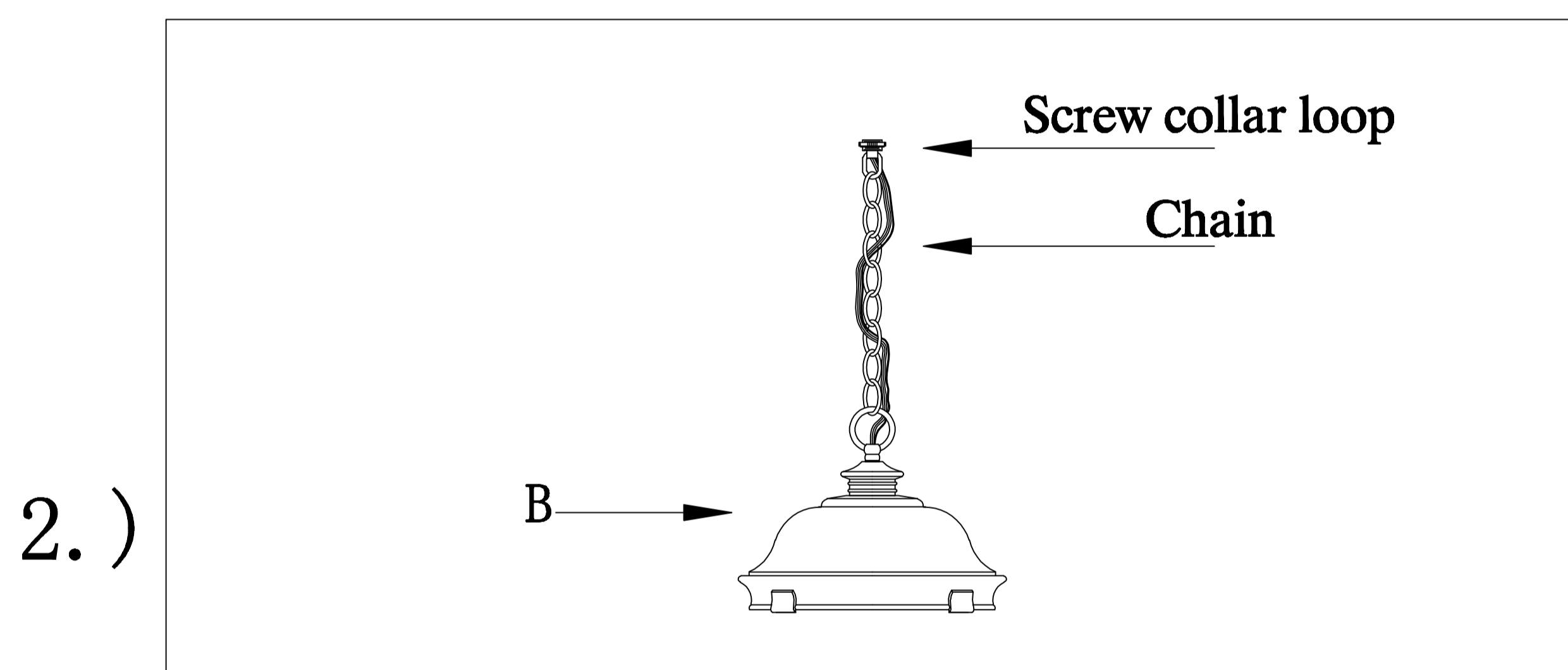
Locate all hardware & components before discarding packaging



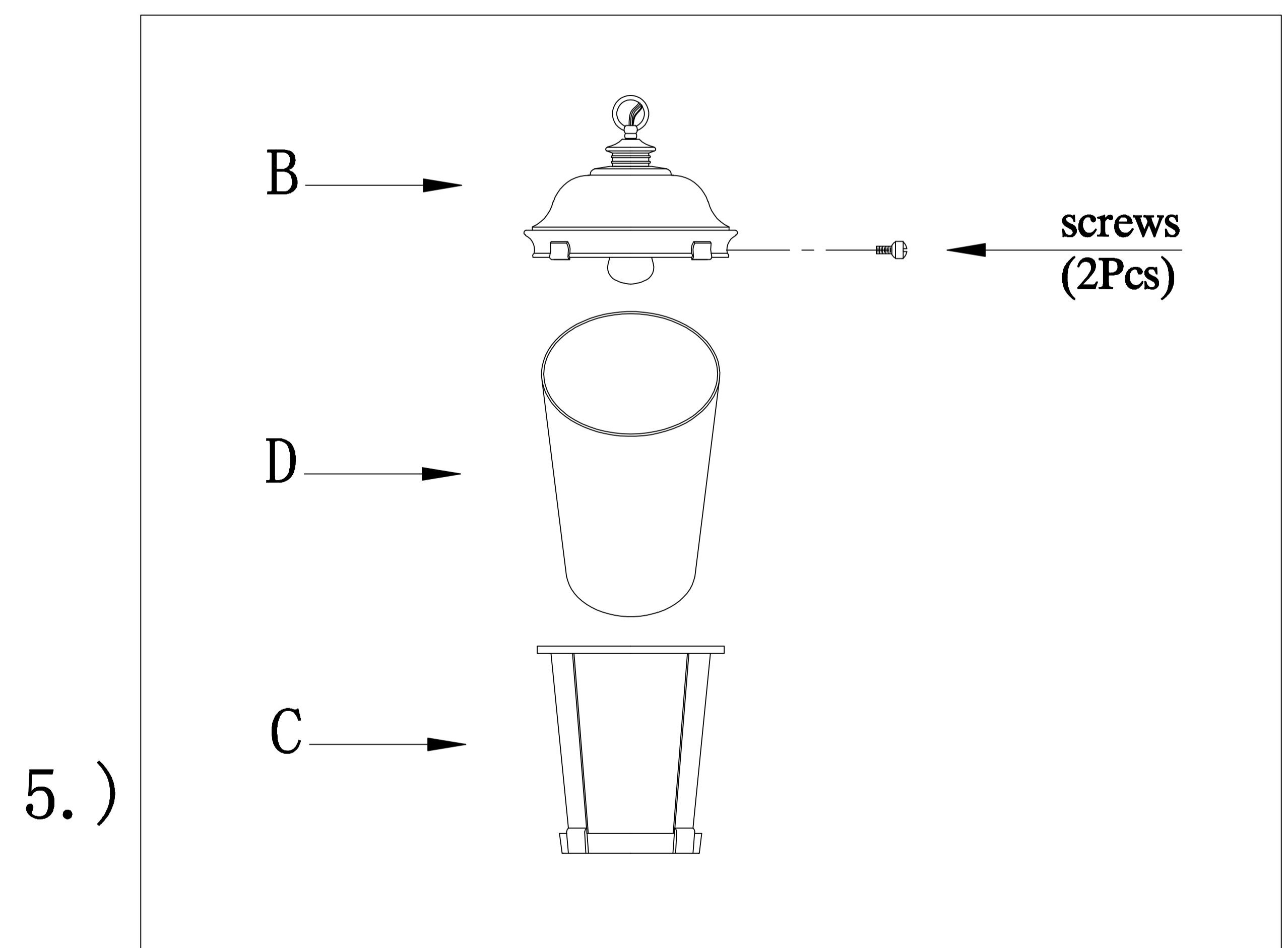
**Step.1:** Remove mounting bracket(A) from fixture and install to electrical box.



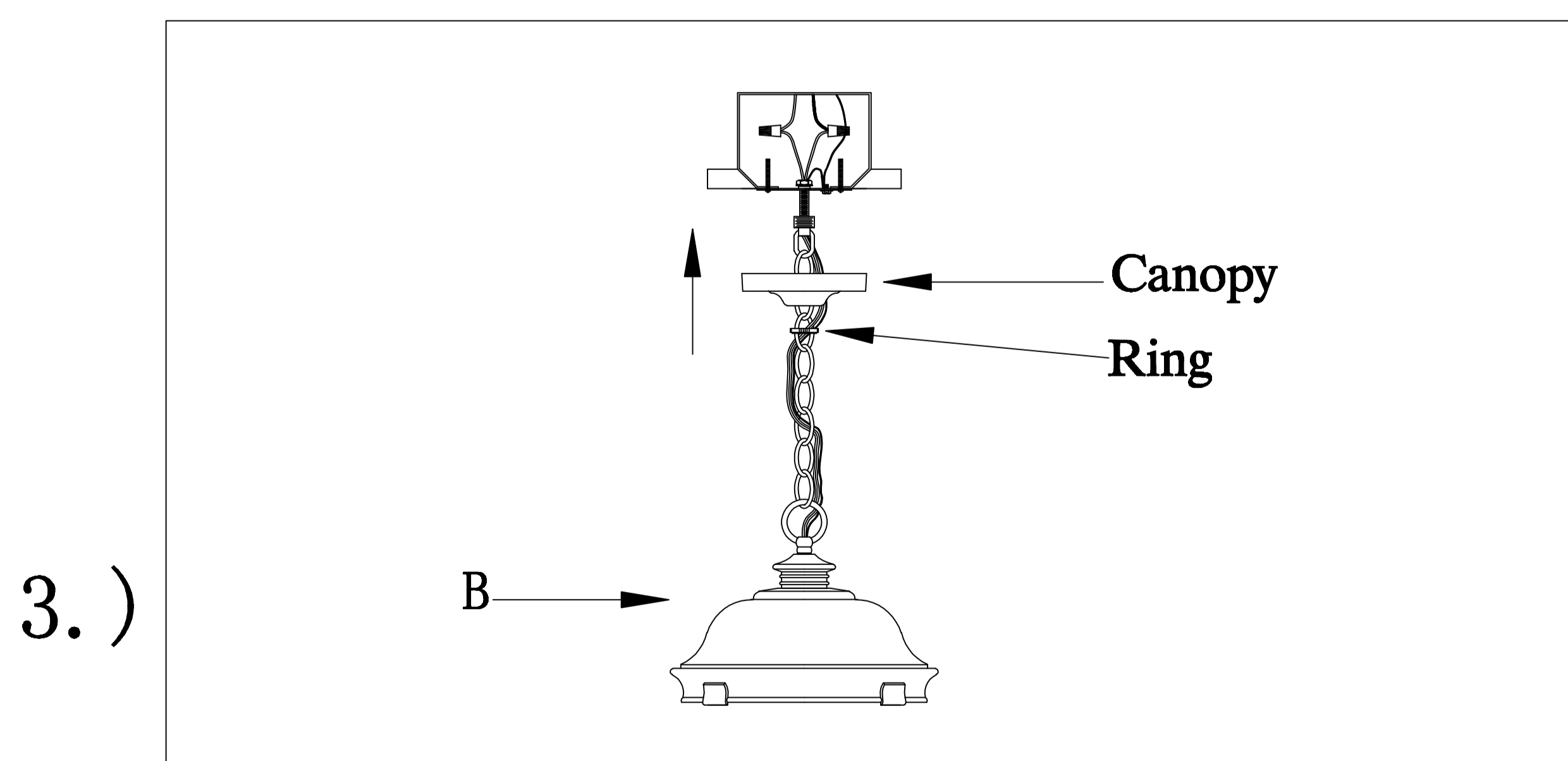
**Step.4:** Install E26 LED bulb(E)



**Step.2:** Install chain to fixture(B), install screw collar loop to chain. Attach appropriate amount of chain to loop to achieve desired mounting height. Thread wire through every 3rd loop of chain.



**Step.5:** Install the glass(D) into the cage(C), Install the cage(C) to the fixture(B) using screws.



**Step.3:** Remove ring from loop and slide down chain. Place canopy onto chain and let slide to top of fixture. Install screw collar loop to bracket. Pull canopy through screw ring up chain to ceiling and tighten securely.

**Cleaning & Care:**

Clean with soft cloth and a mild detergent.  
Do not use abrasive cleaner.