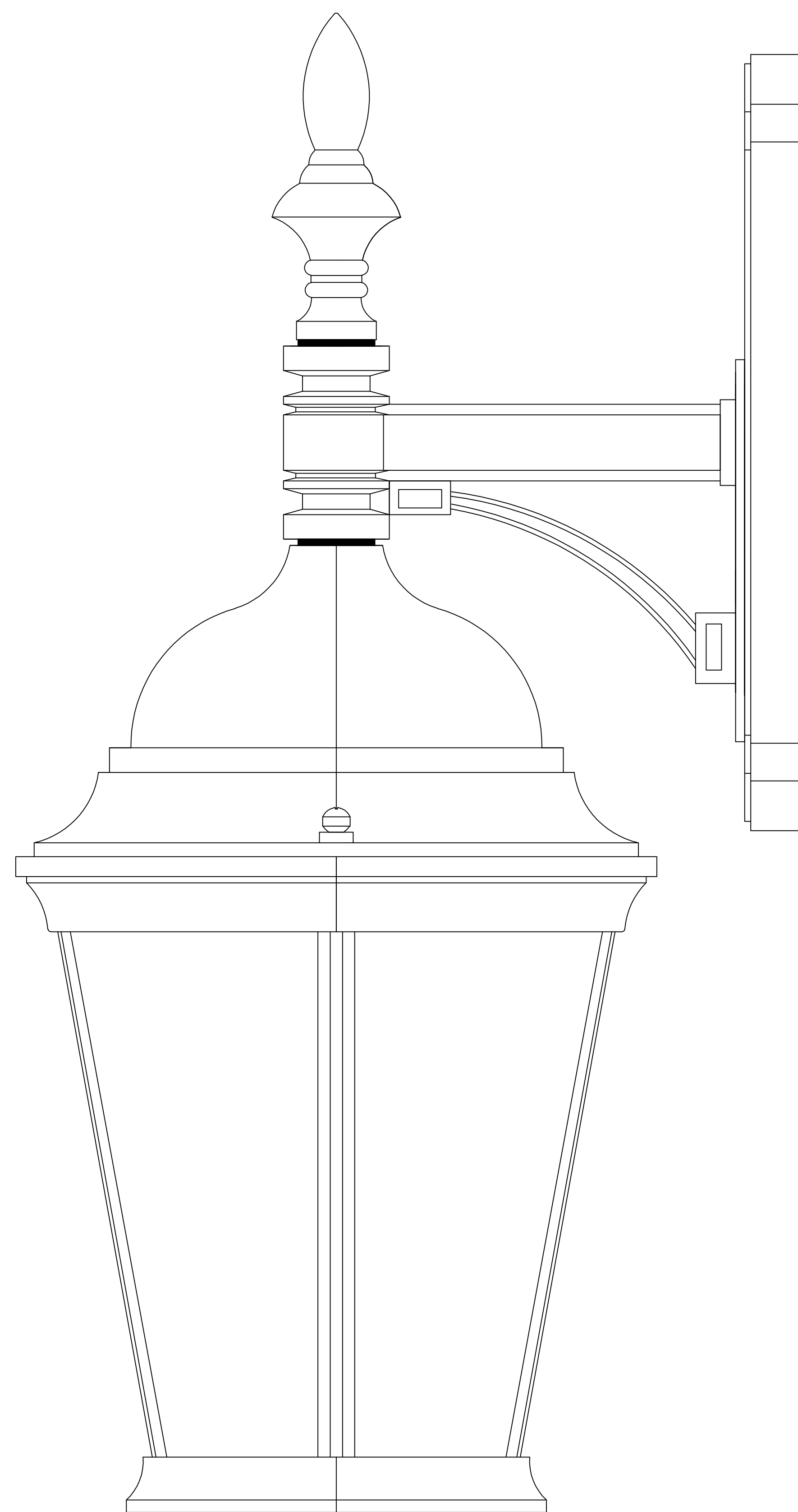




PRODUCT NAME: Westlake
ITEM NUMBER: 55104

Please consult your electrician for hanging fixture and wiring.



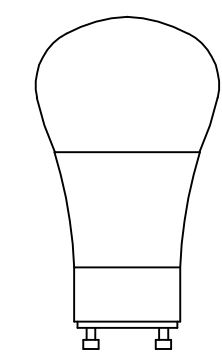
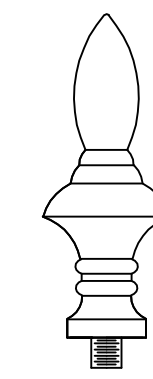
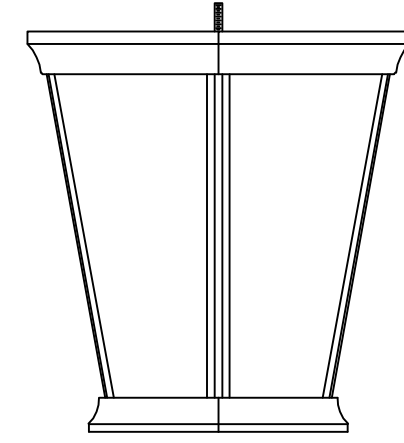
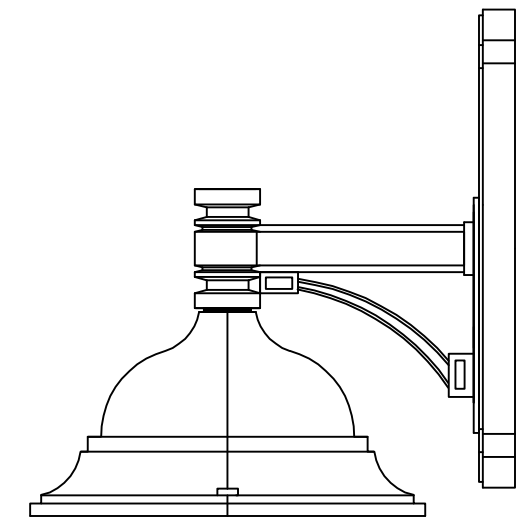
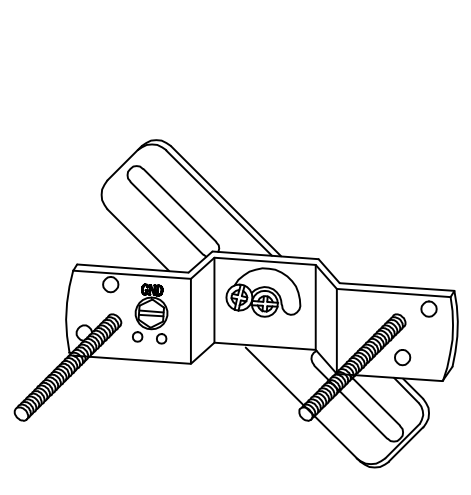
To prevent water intrusion, caulk around back-plate where fixture meets the wall using outdoor silicone sealant. Leave a small gap at the bottom to allow moisture to exit.

Bulb(included): 1×9W GU24 LED

MADE IN CHINA

PRODUCT NAME: Westlake
ITEM NUMBER: 55104

IMPORTANT: Turn off the power at the main fuse or circuit breaker box before starting installation.



Bracket (A)

Fixture (B)

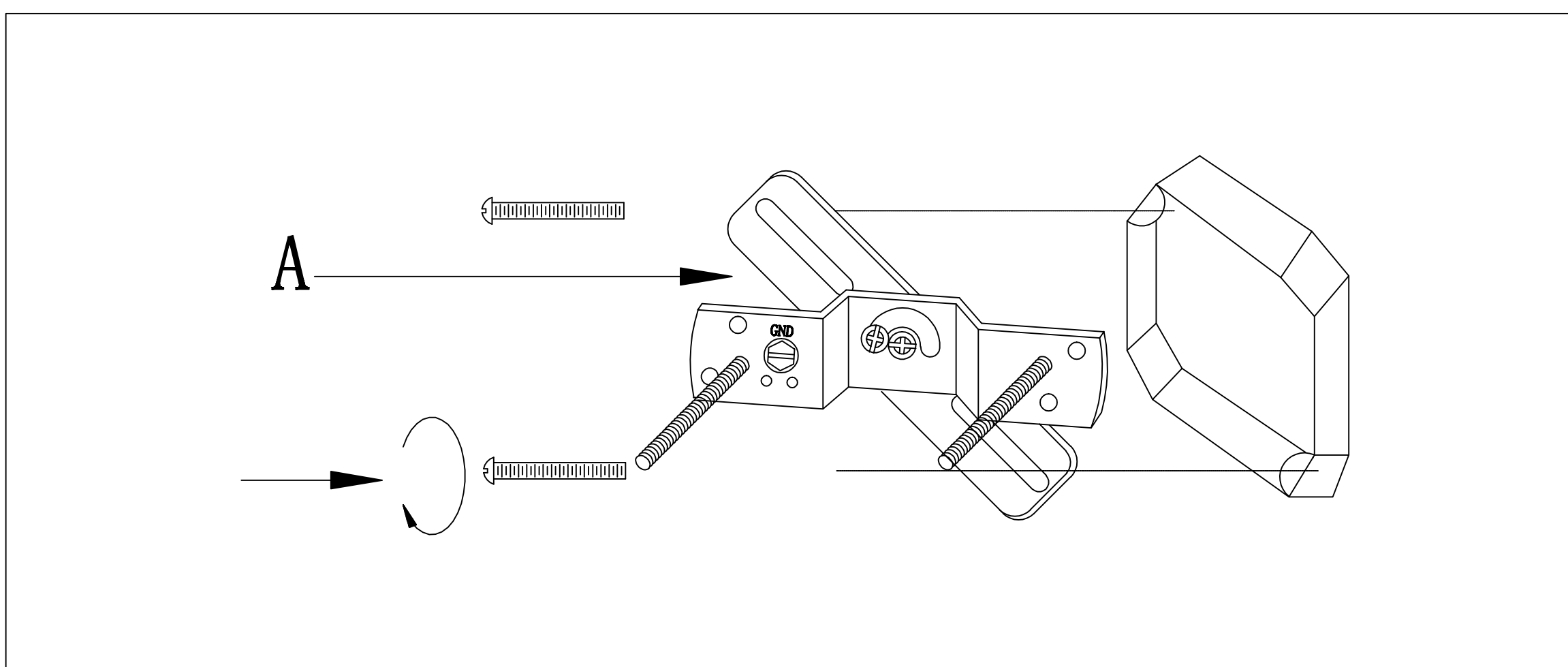
Cage (C)

Finial (D)

GU24 LED Bulb (E)

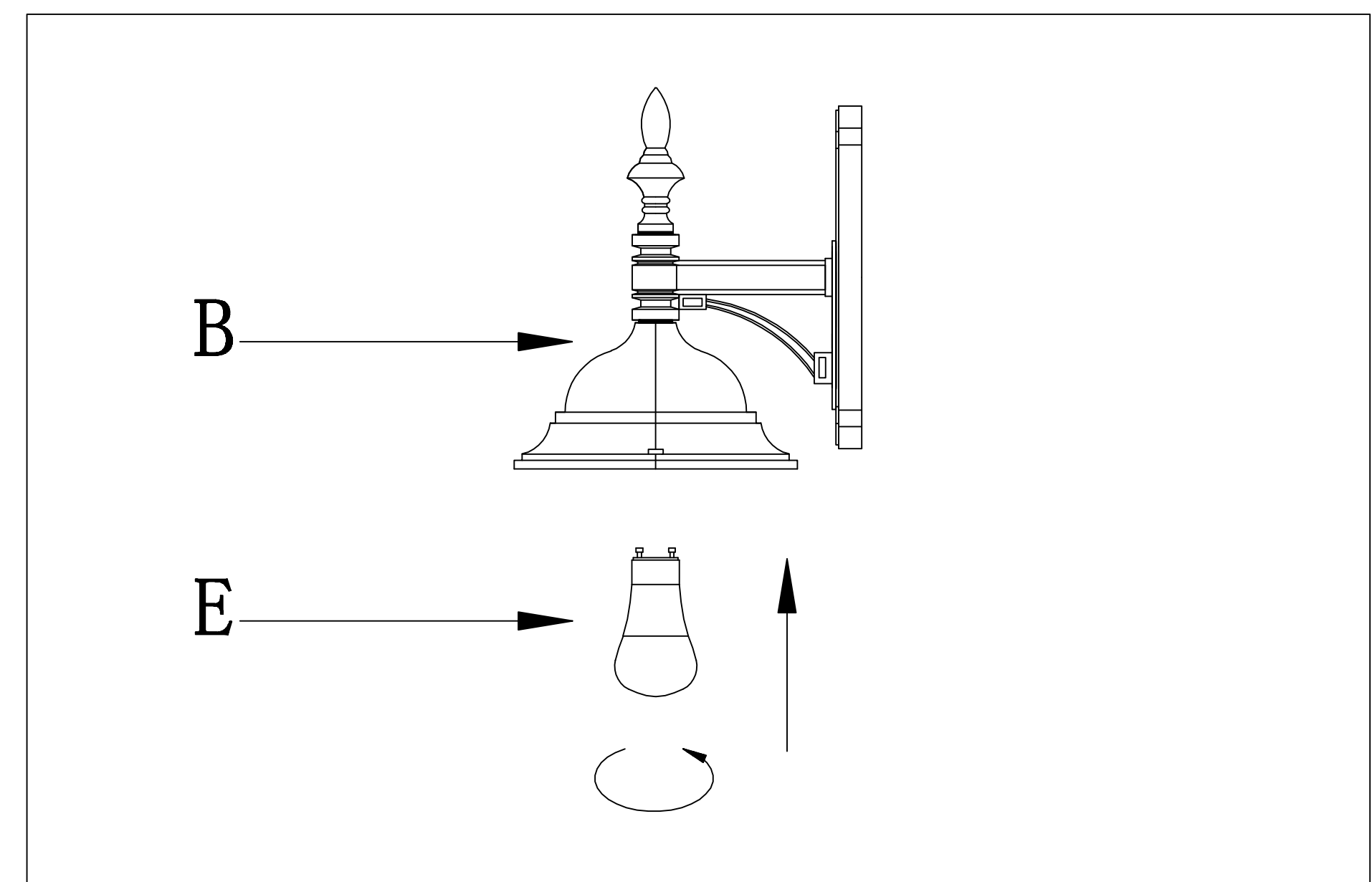
Locate all hardware & components before discarding packaging

1.)



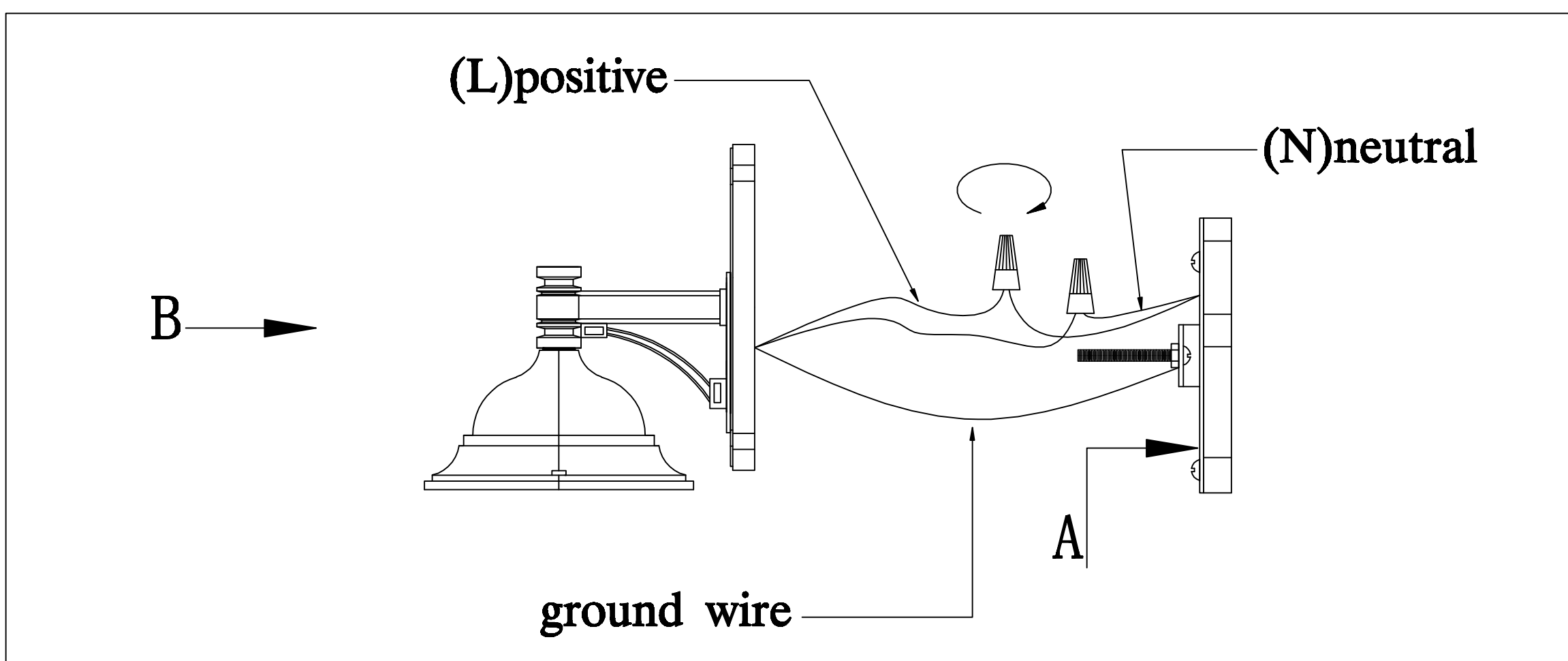
Step.1: Remove mounting bracket from fixture(B) and install to electrical box. then wire fixture to wires in outlet box. Copper wire is for Ground.

4.)



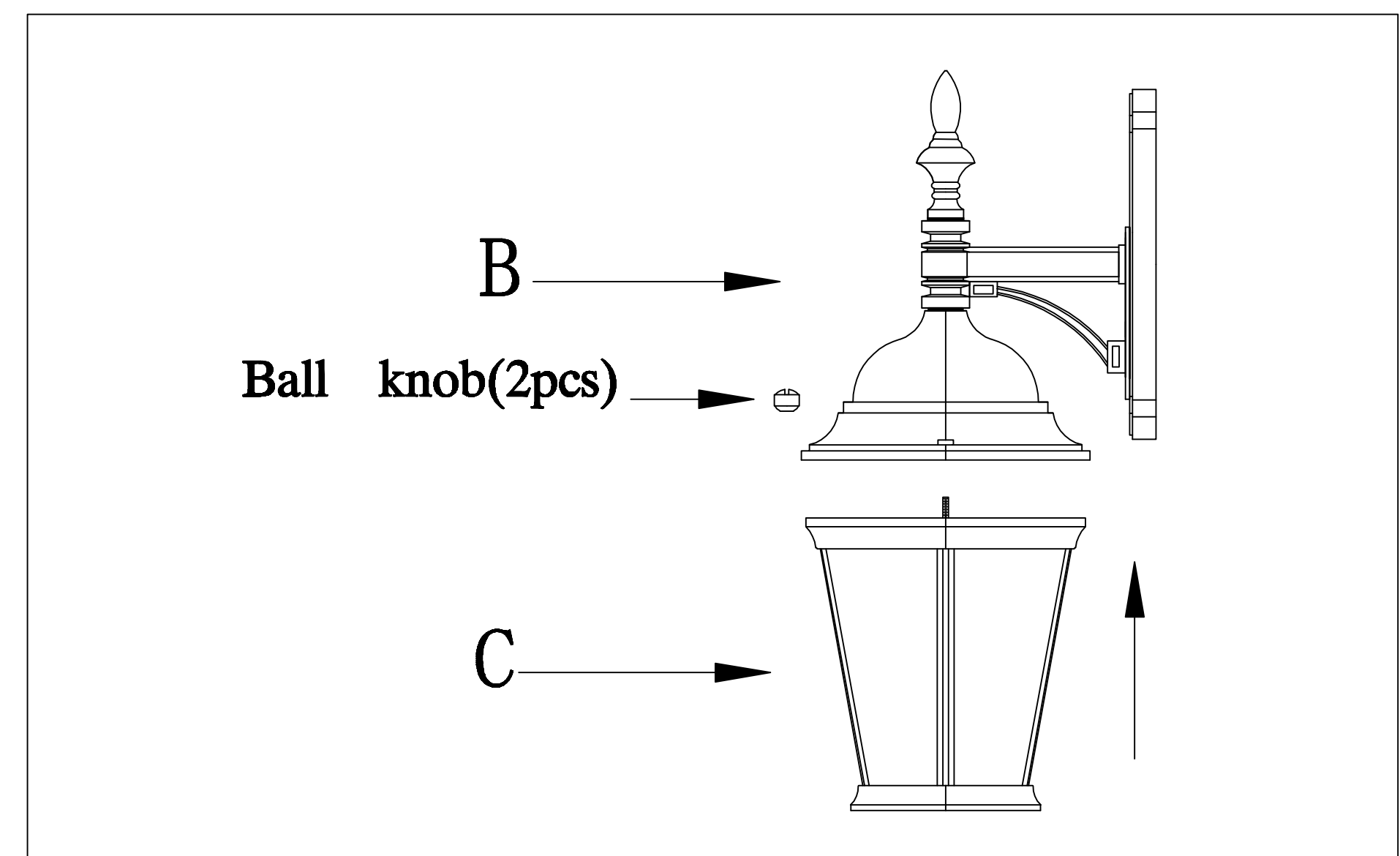
Step.4: Install GU24 LED bulb(E)

2.)



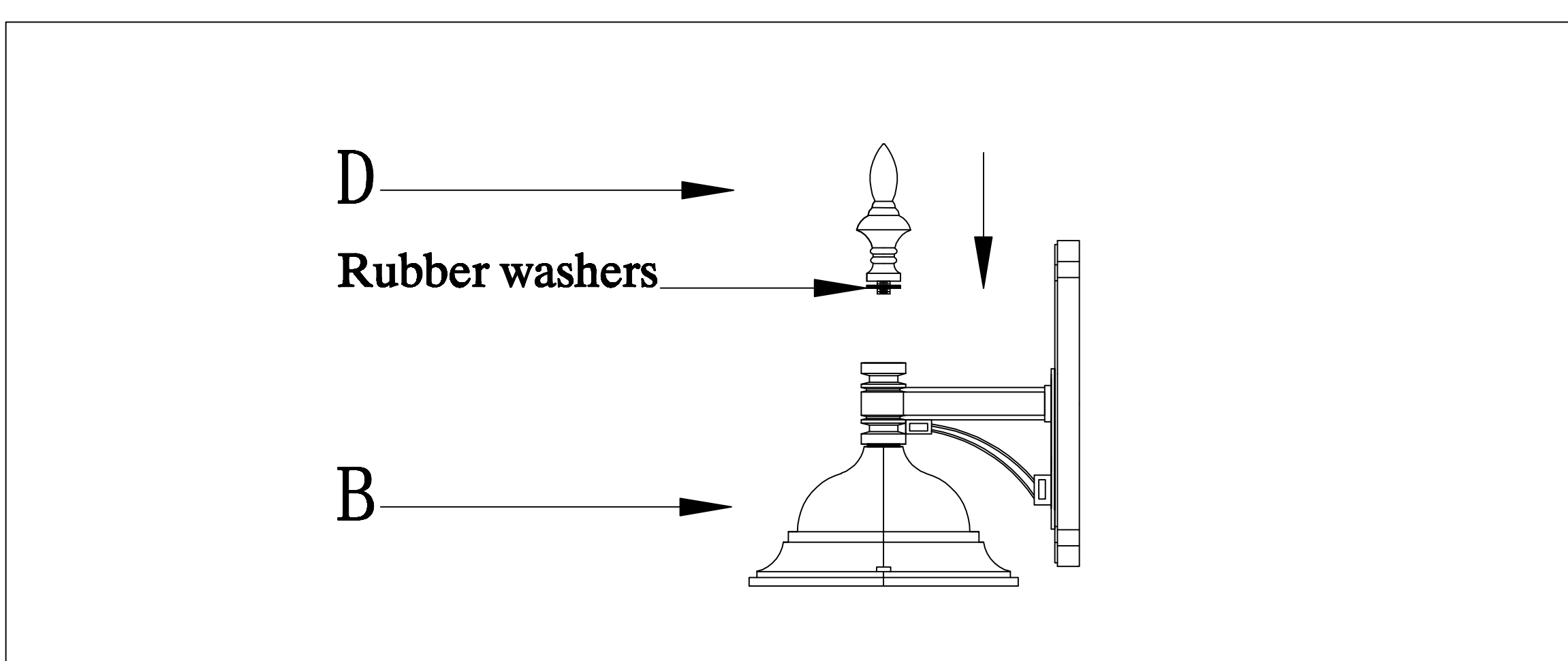
Step.2: Attach back plate to mounting bracket and tighten ball nuts so fixture meets wall. Caulk fixture where back plate meets the wall with silicone sealant.

5.)



Step.5: Install cage(C) to fixture , using ball knobs .

3.)



Step.3: Install the finial(D) into the fixture(B)

Cleaning & Care:
Clean with soft cloth and a mild detergent.
Do not use abrasive cleaner.