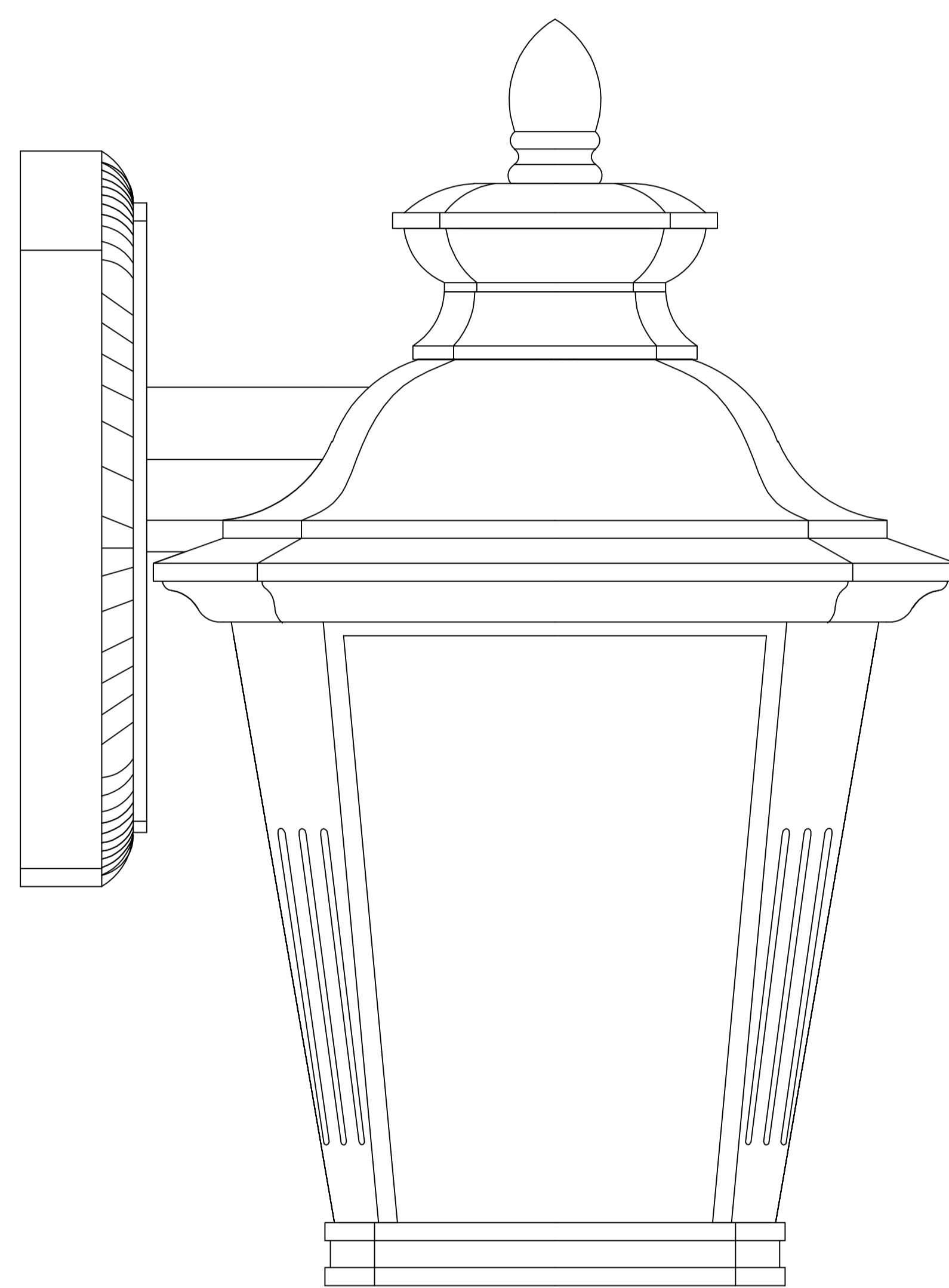




PRODUCT NAME: Knoxville
ITEM NUMBER: 55623

Please consult your electrician for hanging fixture and wiring.



To prevent water intrusion, caulk around back-plate where fixture meets the wall using outdoor silicone sealant. Leave a small gap at the bottom to allow moisture to exit.

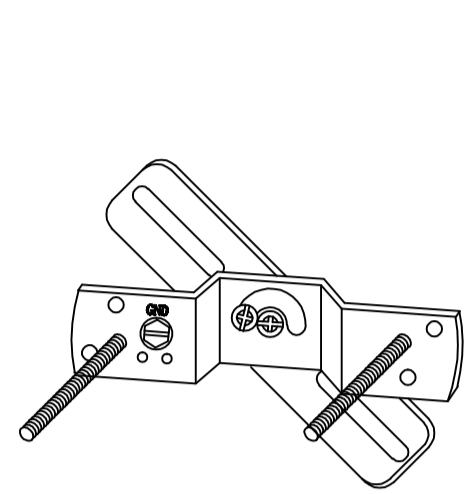
Bulb(included): 1×9W E26 LED

MADE IN CHINA

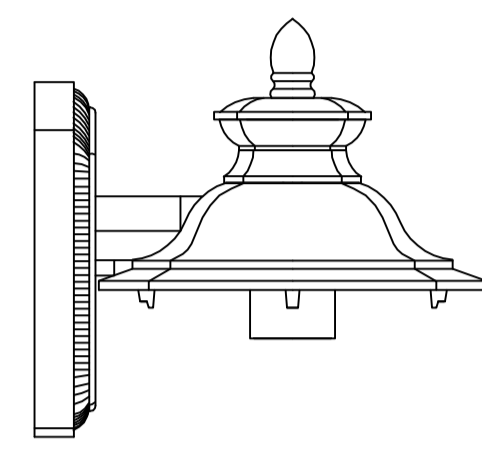


PRODUCT NAME: Knoxville
 ITEM NUMBER: 55623

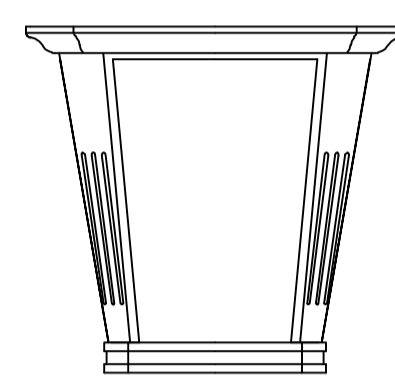
IMPORTANT: Turn off the power at the main fuse or circuit breaker box before starting installation.



Bracket (A)



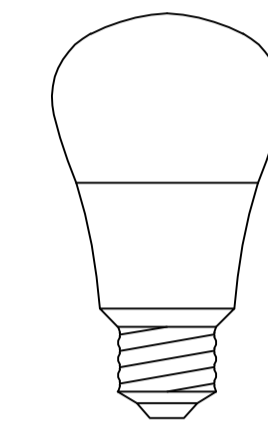
Fixture (B)



Cage (C)

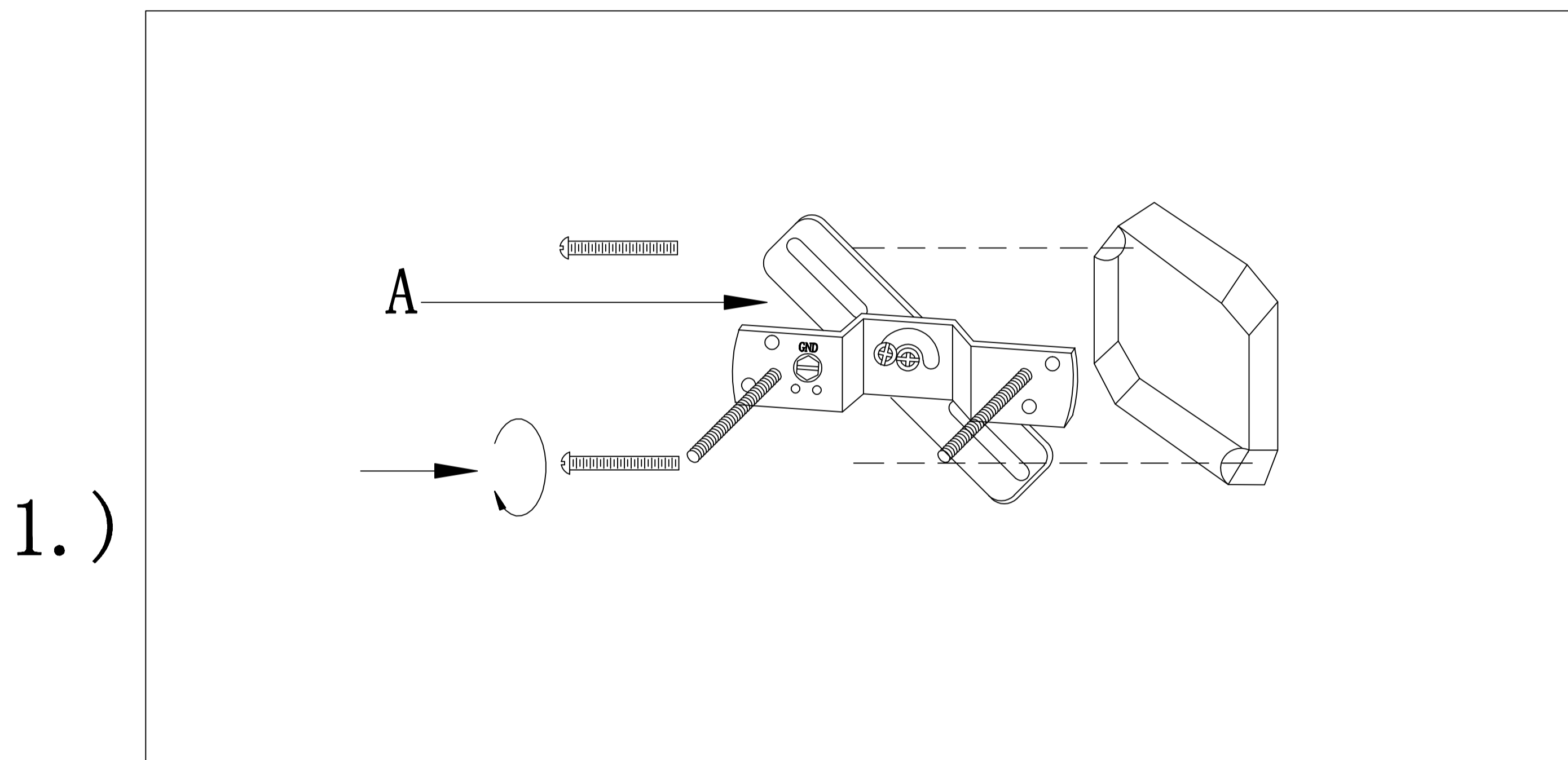


Sheet glass(D)

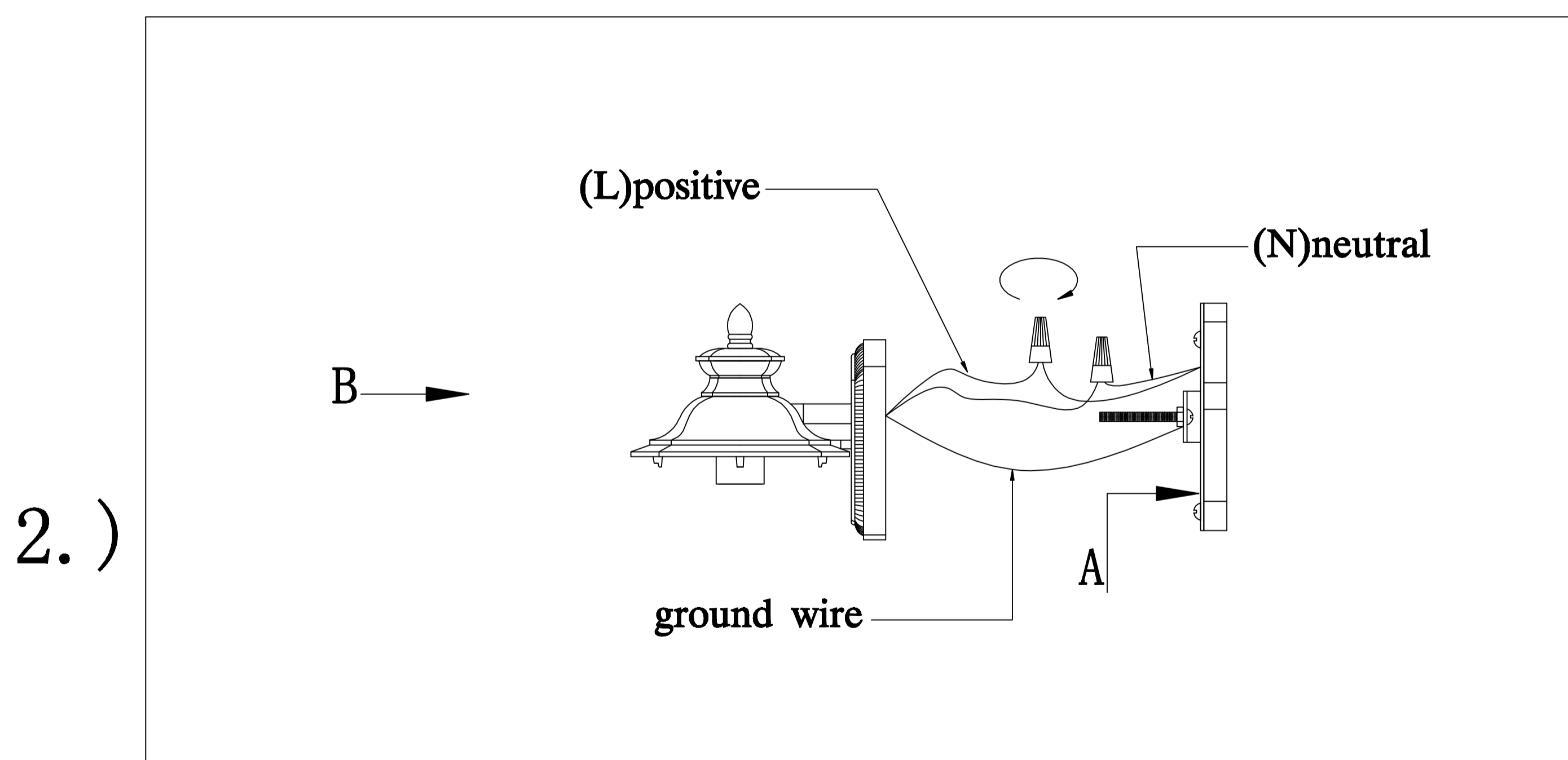


E26 LED Bulb (E)

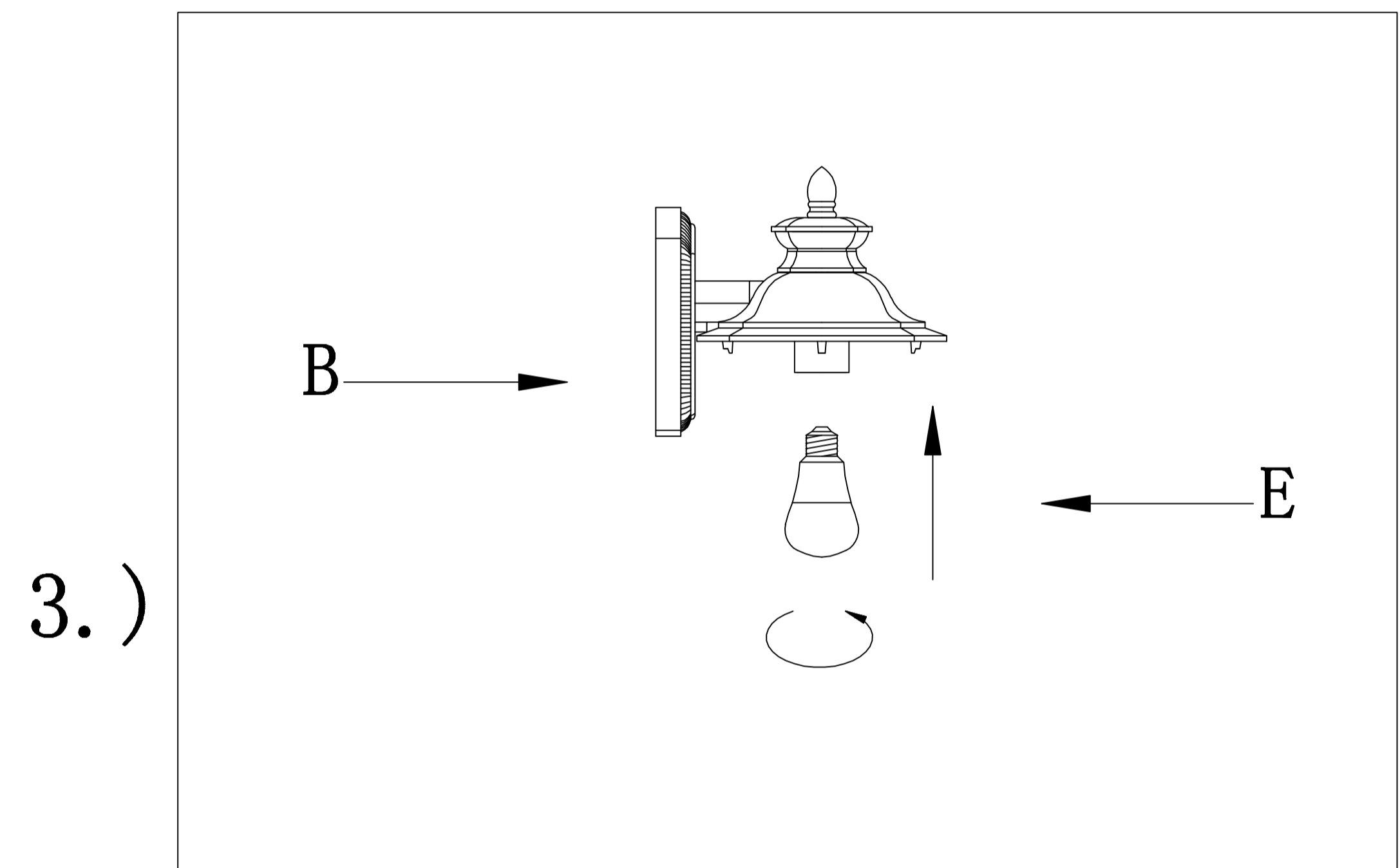
Locate all hardware & components before discarding packaging



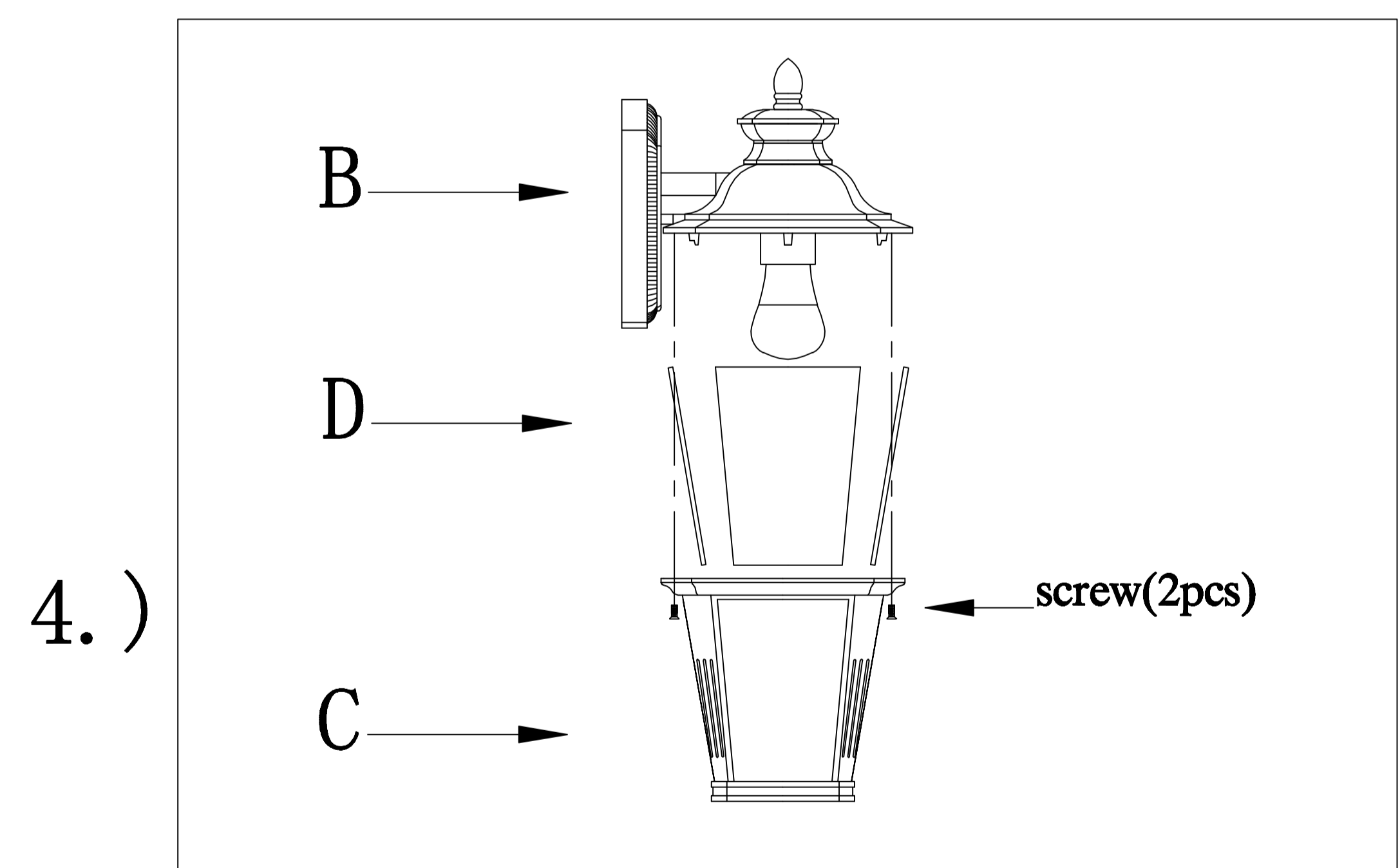
Step.1: Remove mounting bracket from fixture(B) and install to electrical box. then wire fixture to wires in outlet box. Copper wire is for Ground.



Step.2: Attach back plate to mounting bracket and tighten ball nuts so fixture meets wall. Caulk fixture where back plate meets the wall with silicone sealant.



Step.3: Install E26 LED bulb(E)



Step.4: Attach Sheet glass (D) into the Cage (C), Install the cage (C) to the fixture (B) using screws.

Cleaning & Care:

Clean with soft cloth and a mild detergent.
 Do not use abrasive cleaner.

MADE IN CHINA