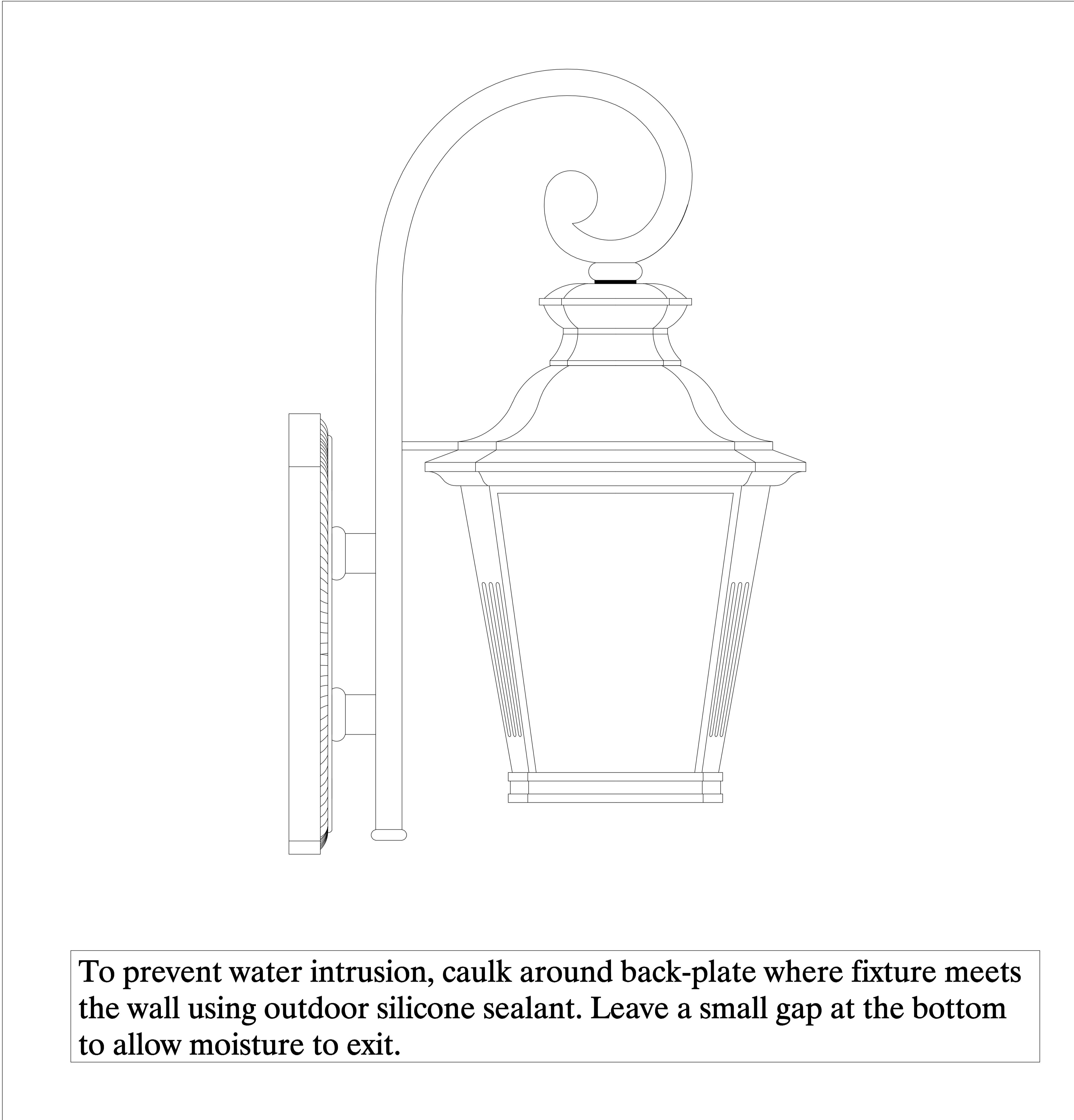




PRODUCT NAME: Knoxville
ITEM NUMBER: 55625

Please consult your electrician for hanging fixture and wiring.



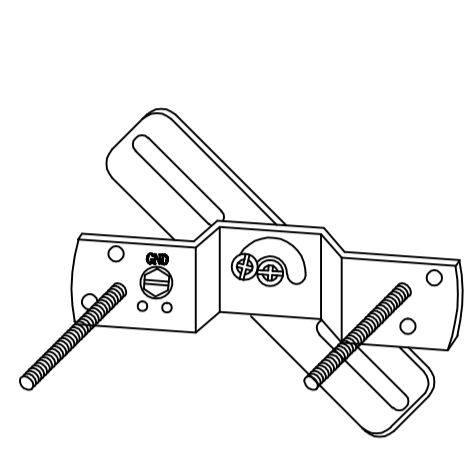
Bulb(included): 1×12W E26 LED

MADE IN CHINA

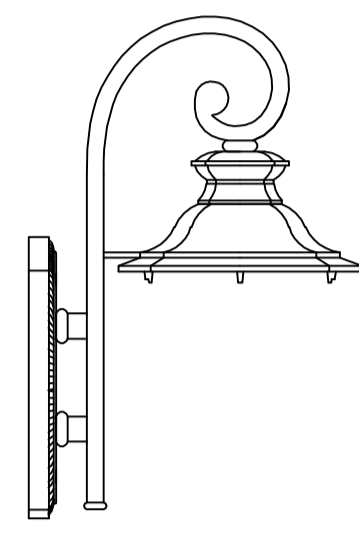


PRODUCT NAME: Knoxville
 ITEM NUMBER: 55625

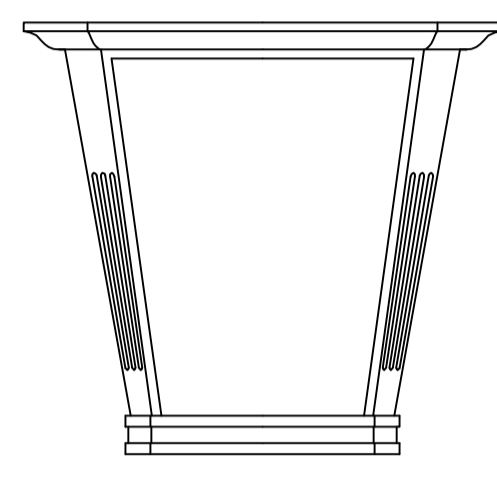
IMPORTANT: Turn off the power at the main fuse or circuit breaker box before starting installation.



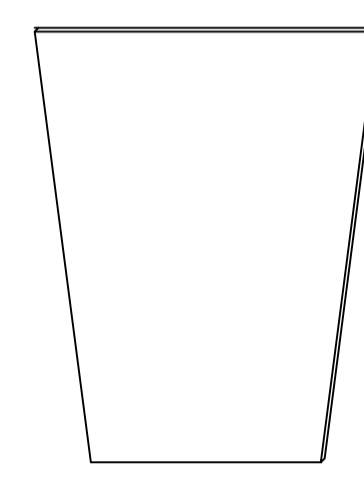
Bracket (A)



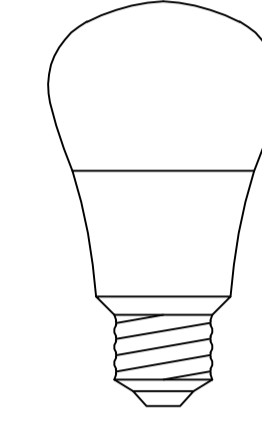
Fixture (B)



Cage (C)

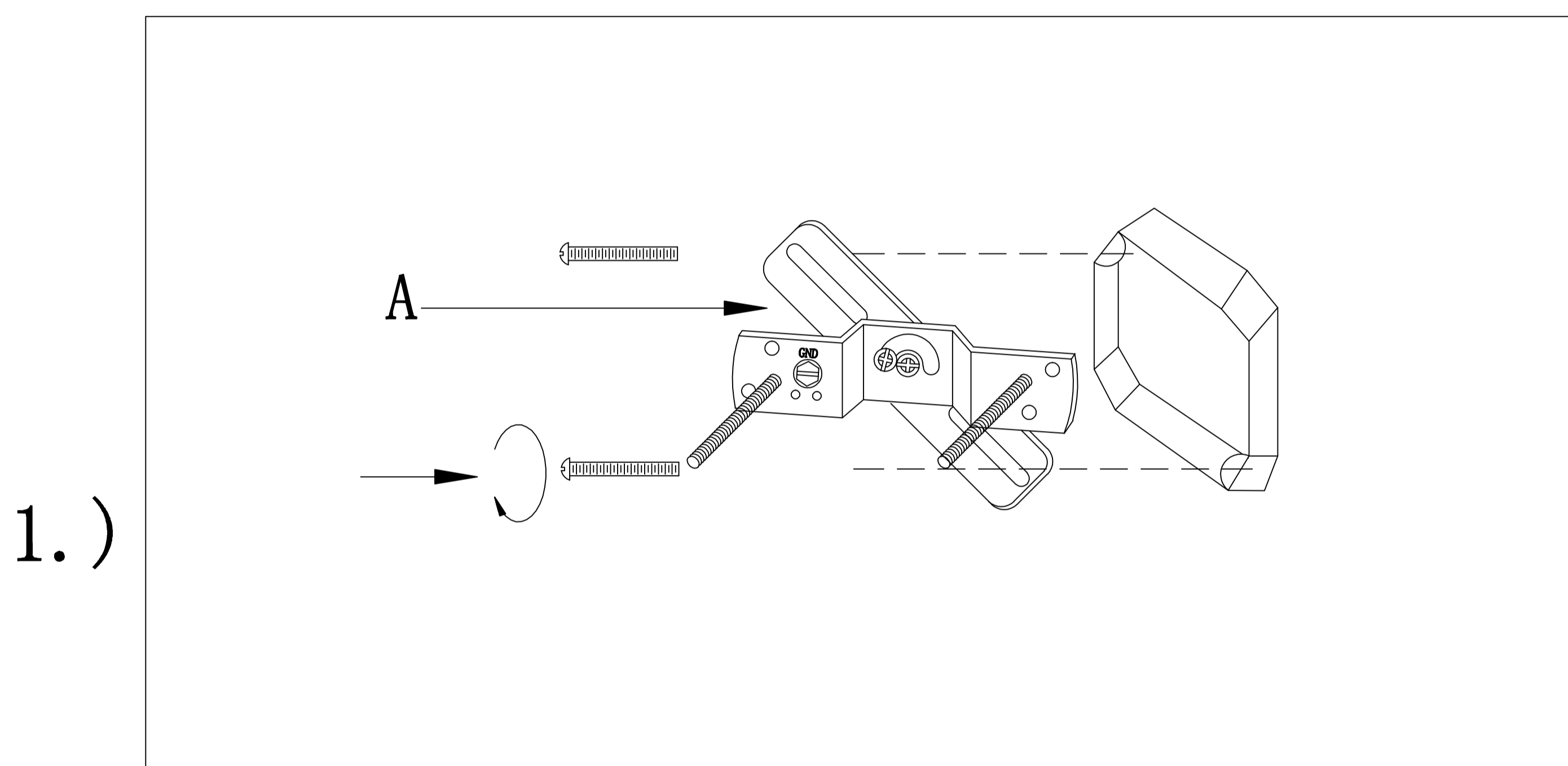


Sheet glass(D)



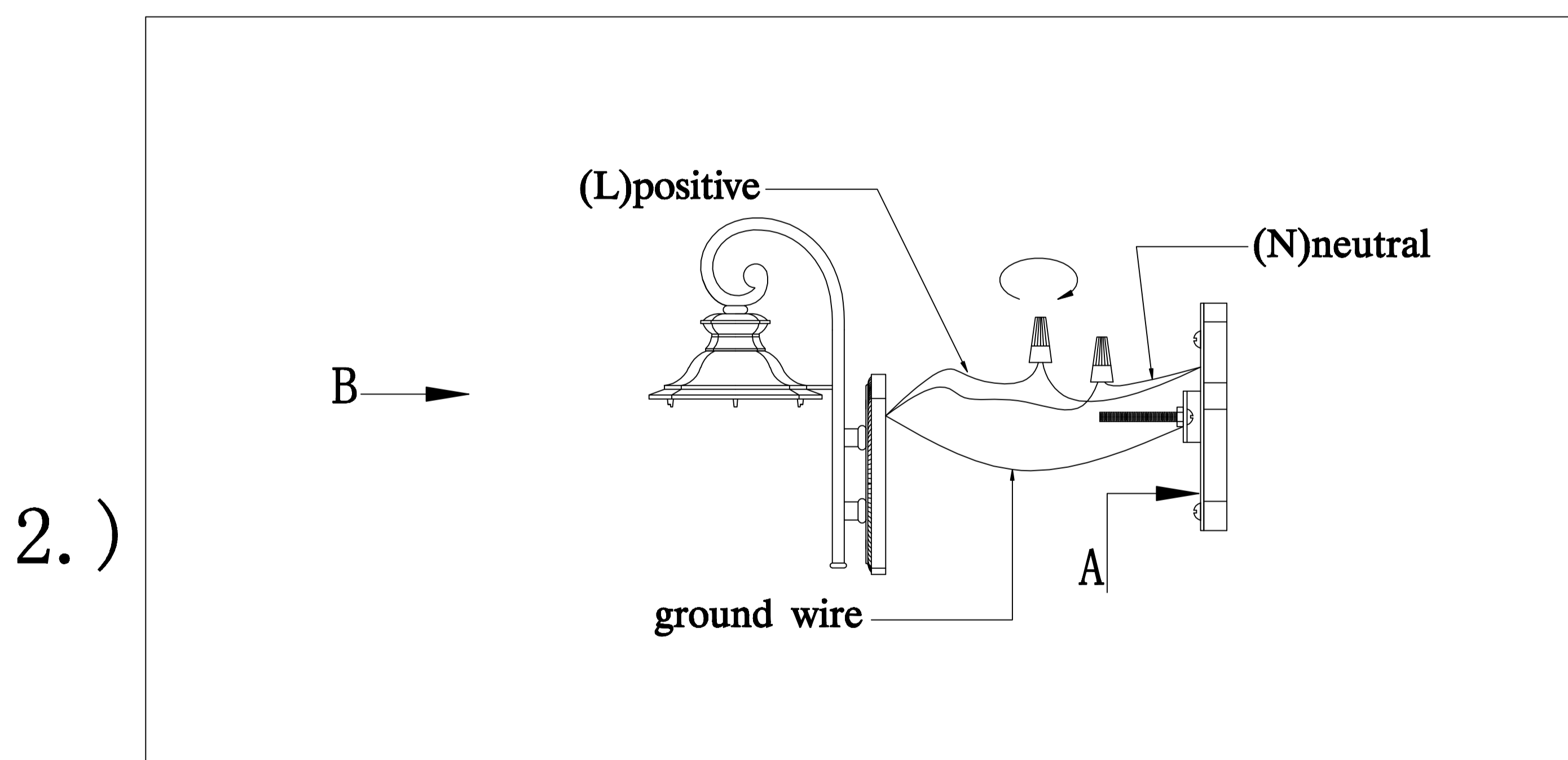
E26 LED Bulb (E)

Locate all hardware & components before discarding packaging



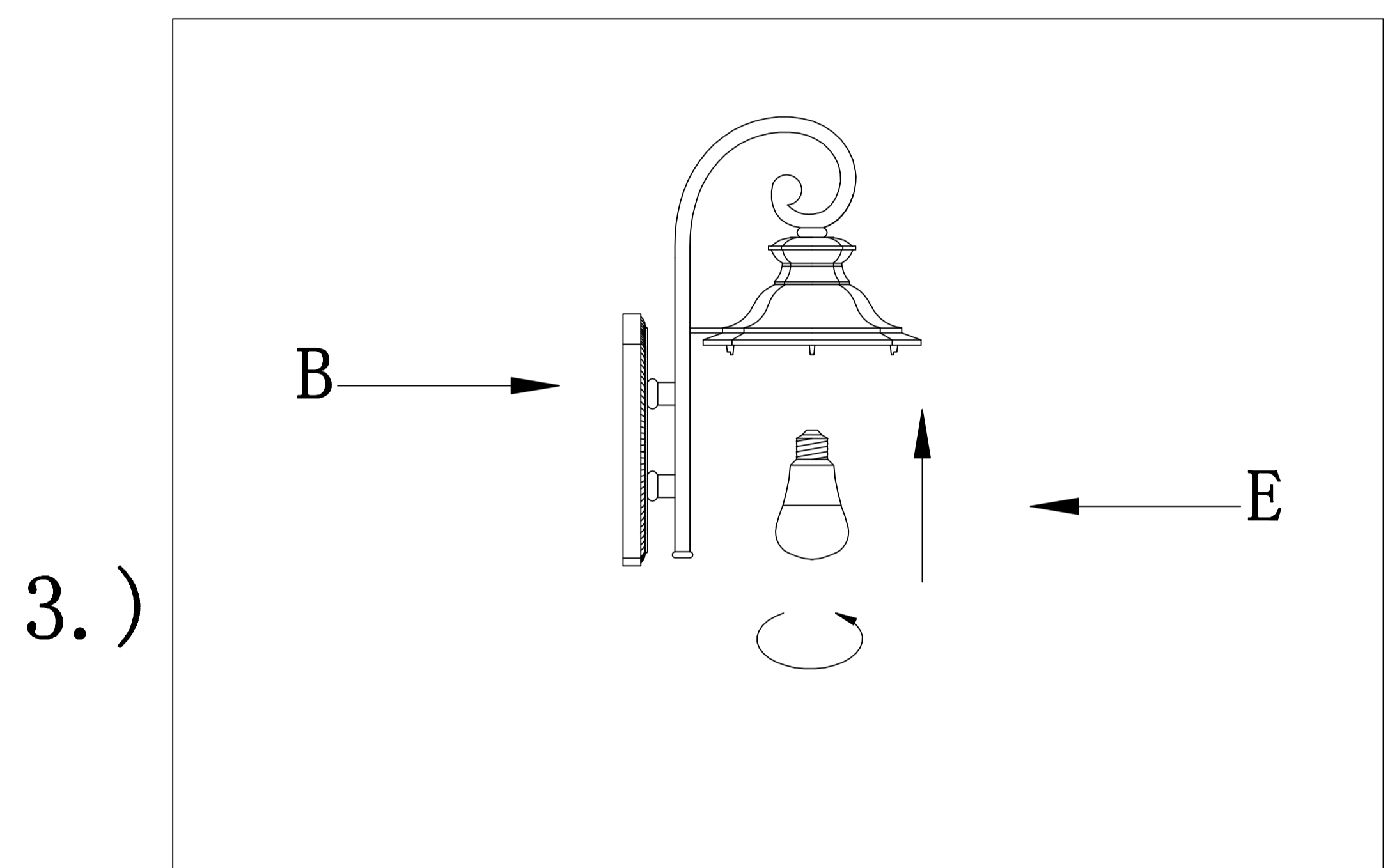
1.)

Step.1: Remove mounting bracket from fixture(B) and install to electrical box. then wire fixture to wires in outlet box. Copper wire is for Ground.



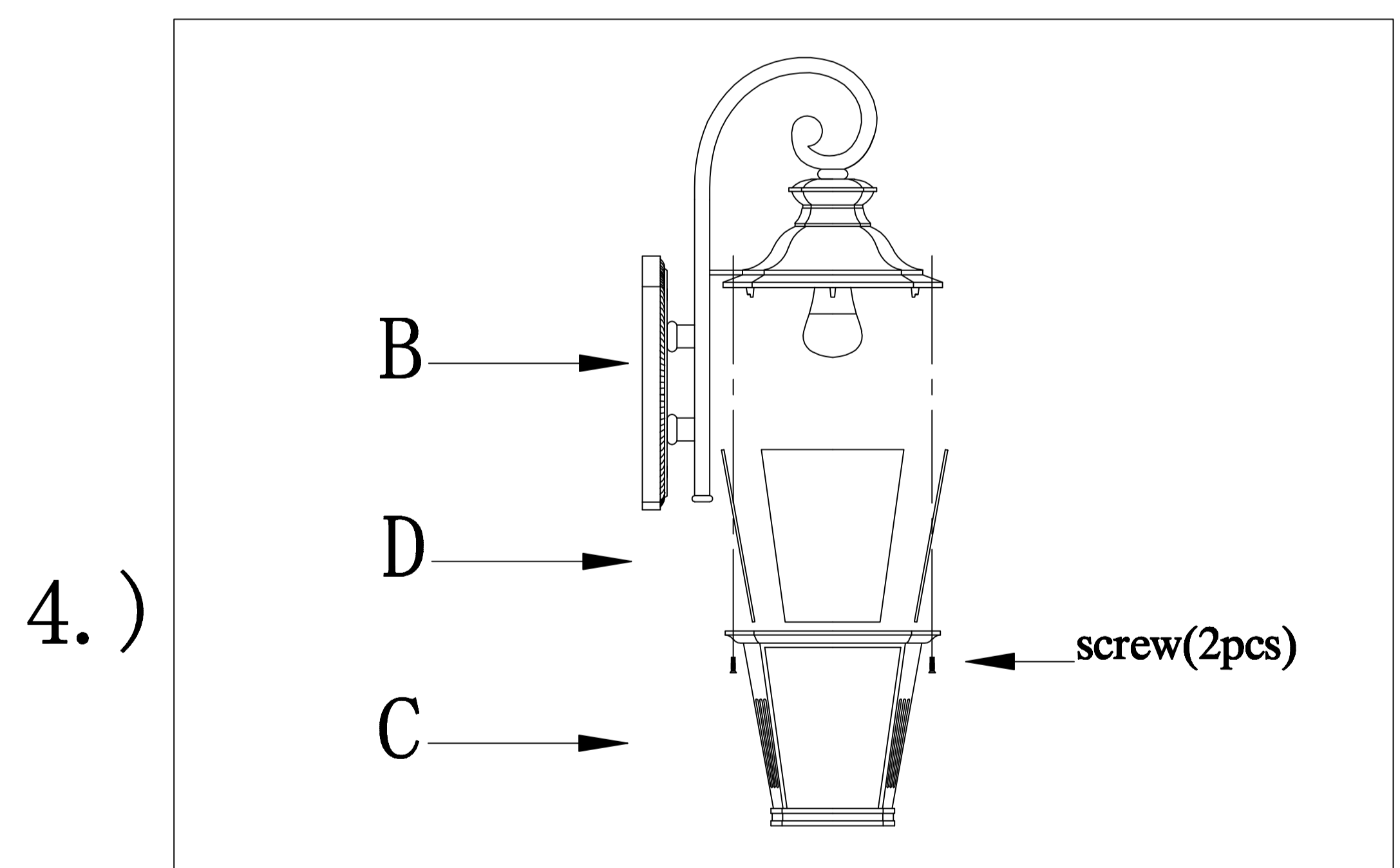
2.)

Step.2: Attach back plate to mounting bracket and tighten ball nuts so fixture meets wall. Caulk fixture where back plate meets the wall with silicone sealant.



3.)

Step.3: Install E26 LED bulb(E)



4.)

Step.4: Attach Sheet glass (D) into the Cage (C), Install the cage (C) to the fixture (B) using screws.

Cleaning & Care:

Clean with soft cloth and a mild detergent.
 Do not use abrasive cleaner.

MADE IN CHINA