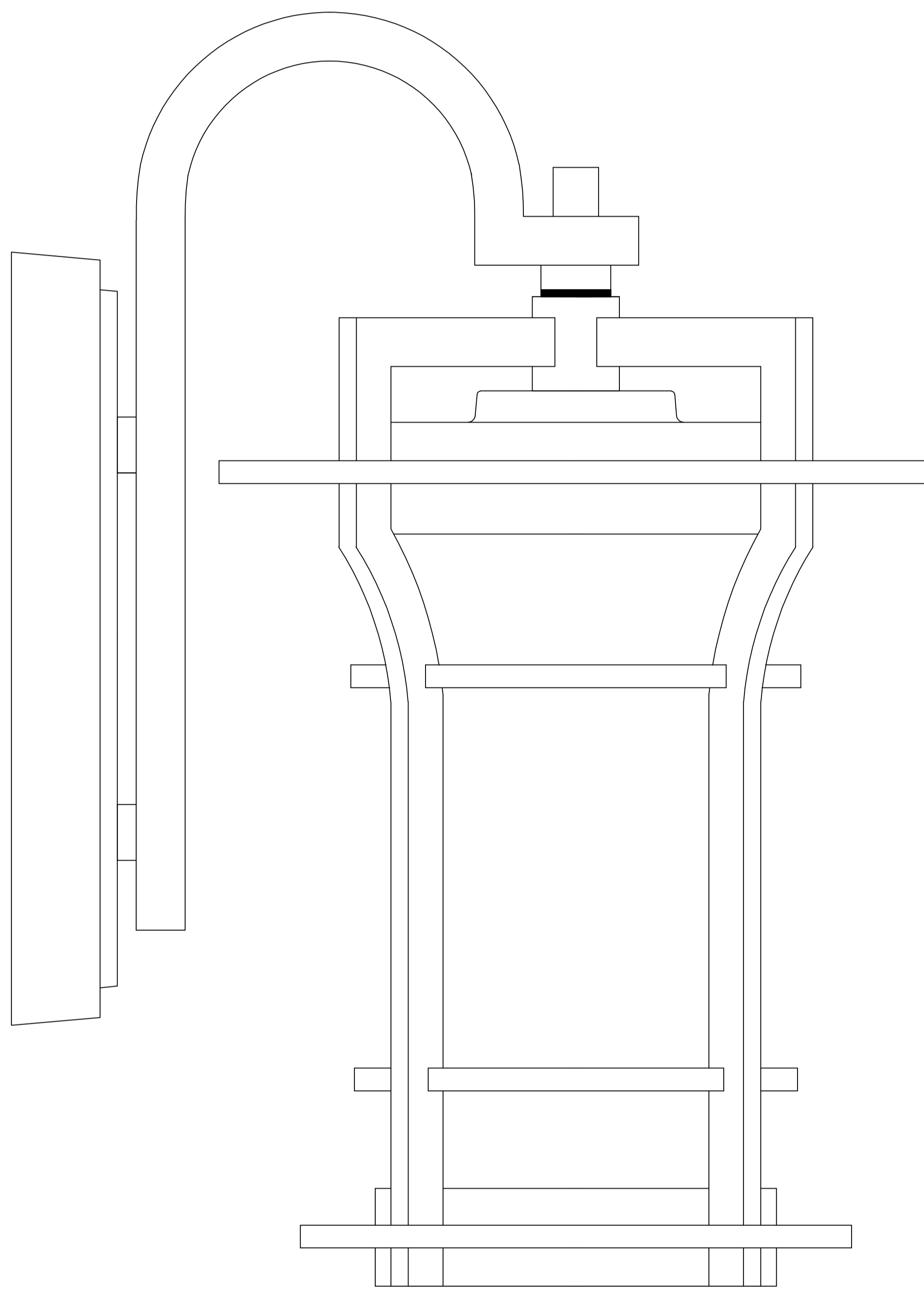




PRODUCT NAME: Oakville  
ITEM NUMBER: 55784 / 55785

Please consult your electrician for hanging fixture and wiring.



To prevent water intrusion, caulk around back-plate where fixture meets the wall using outdoor silicone sealant. Leave a small gap at the bottom to allow moisture to exit.

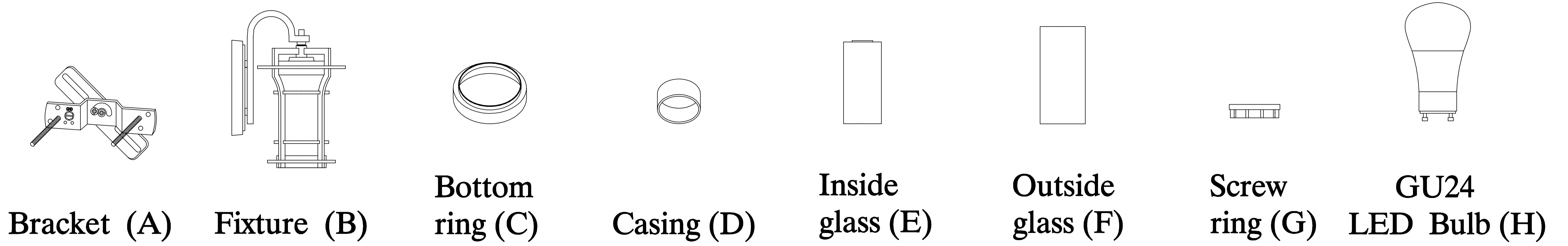
**Bulb(included): 1×9W GU24 LED**

MADE IN CHINA

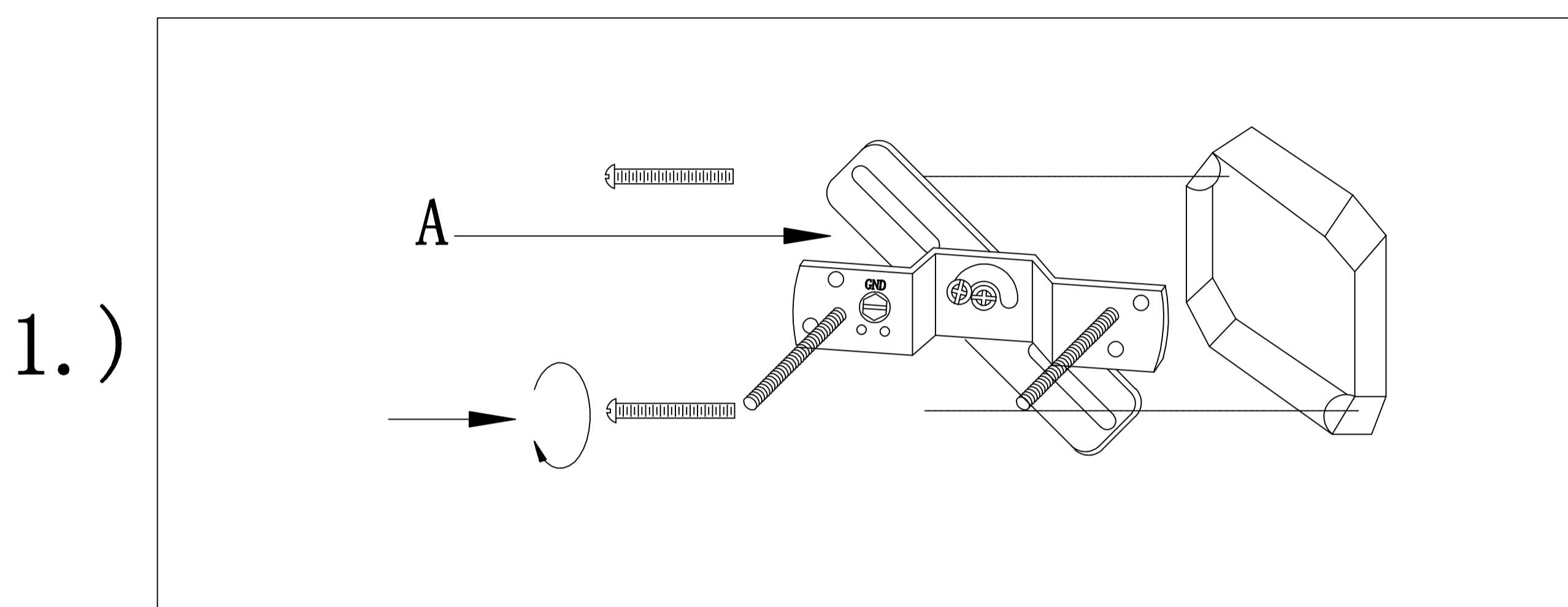


PRODUCT NAME: Oakville  
 ITEM NUMBER: 55784 / 55785

**IMPORTANT:** Turn off the power at the main fuse or circuit breaker box before starting installation.

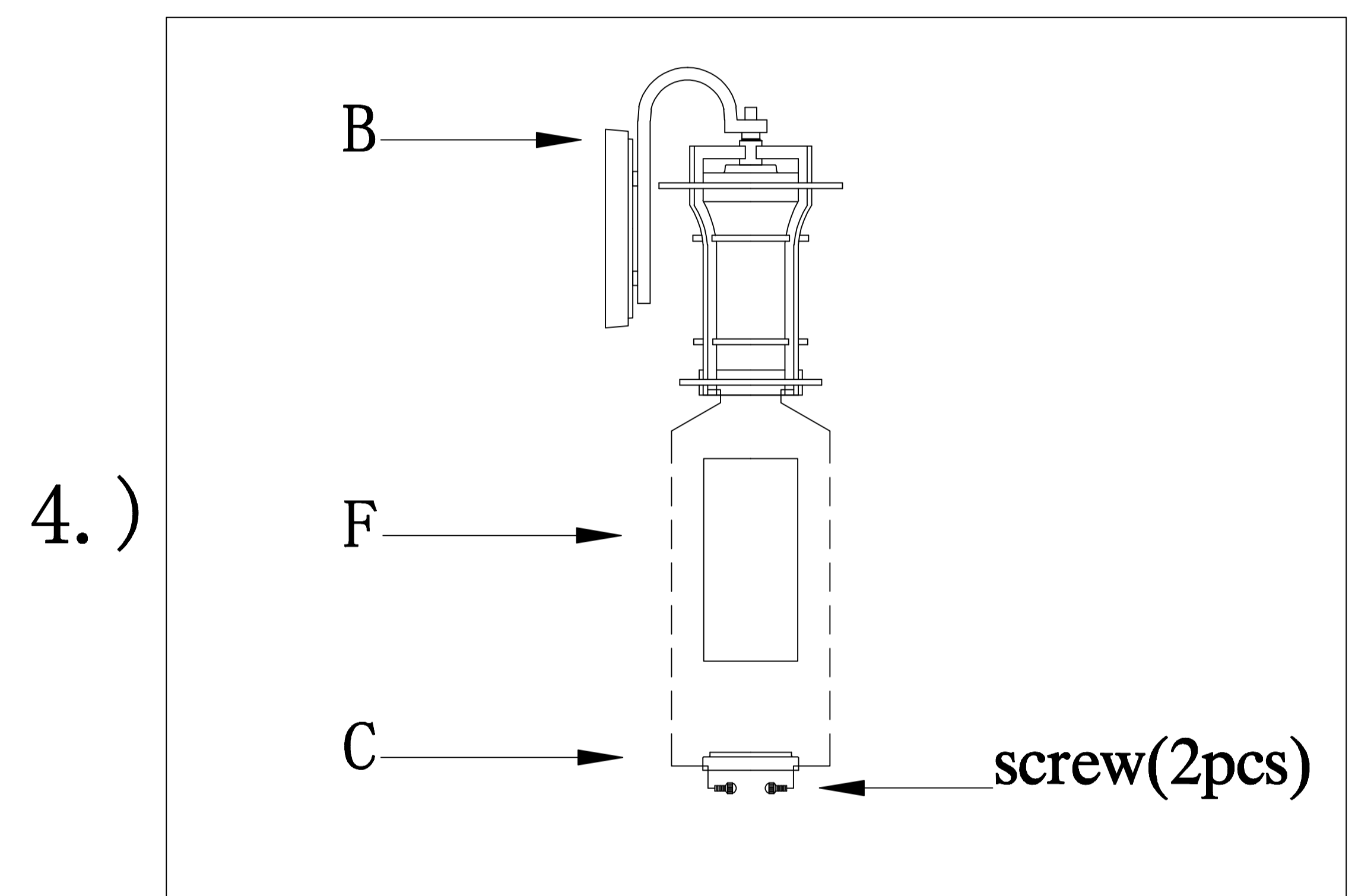


Locate all hardware & components before discarding packaging



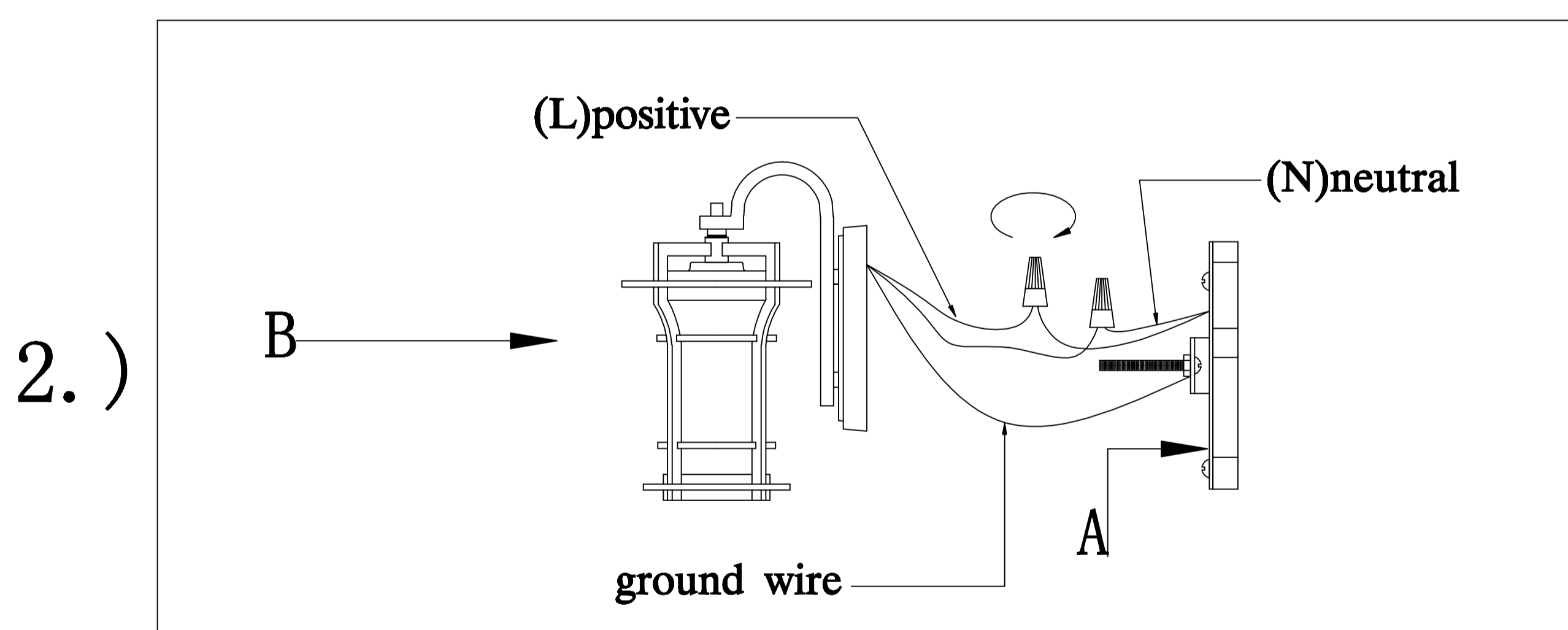
1.)

Step.1: Remove mounting bracket from fixture(B) and install to electrical box. then wire fixture to wires in outlet box. Copper wire is for Ground.



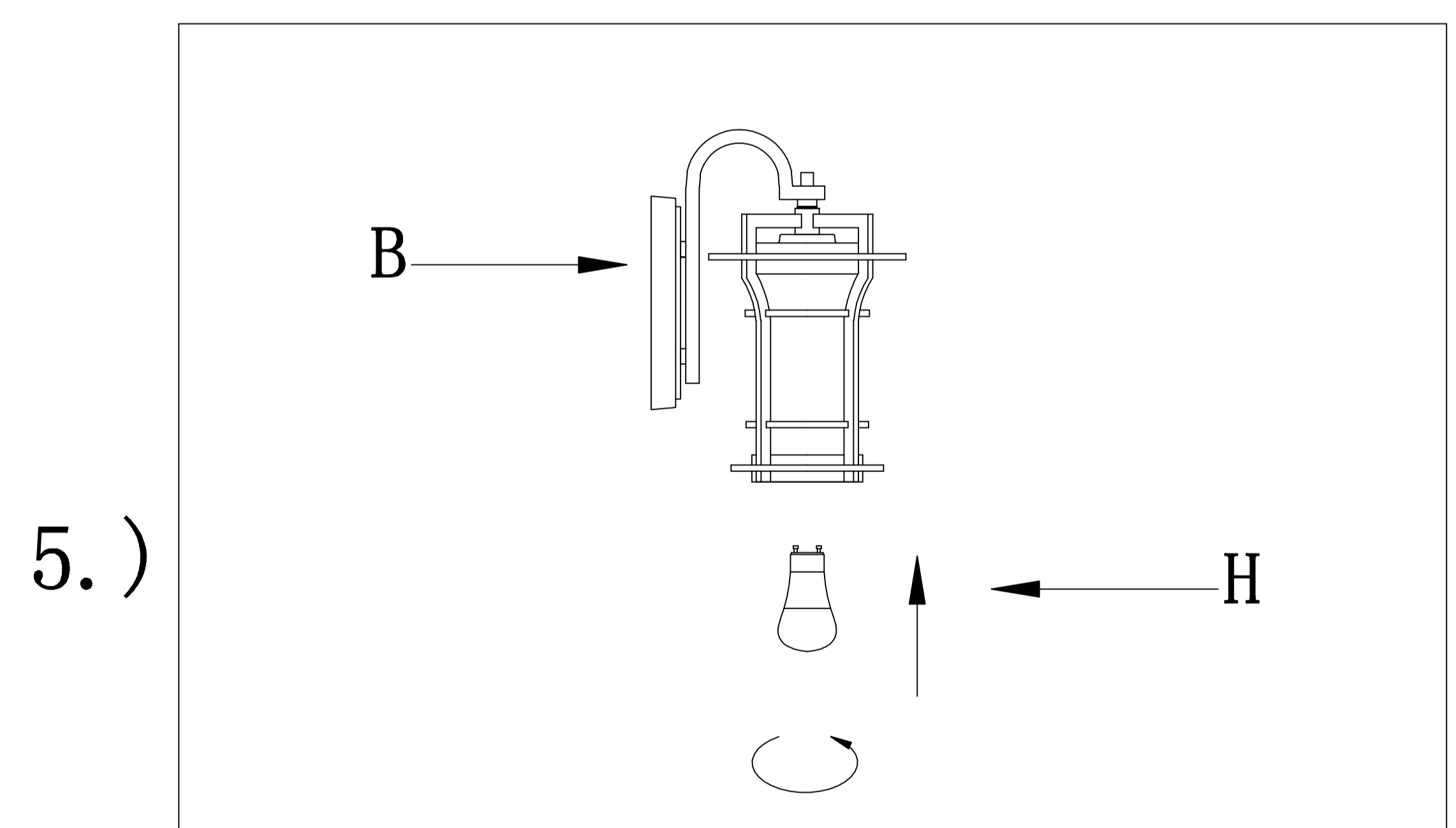
4.)

Step.4: Install the outside glass(F) to fixture; install the bottom ring(C) to fixture(B) with two screws.



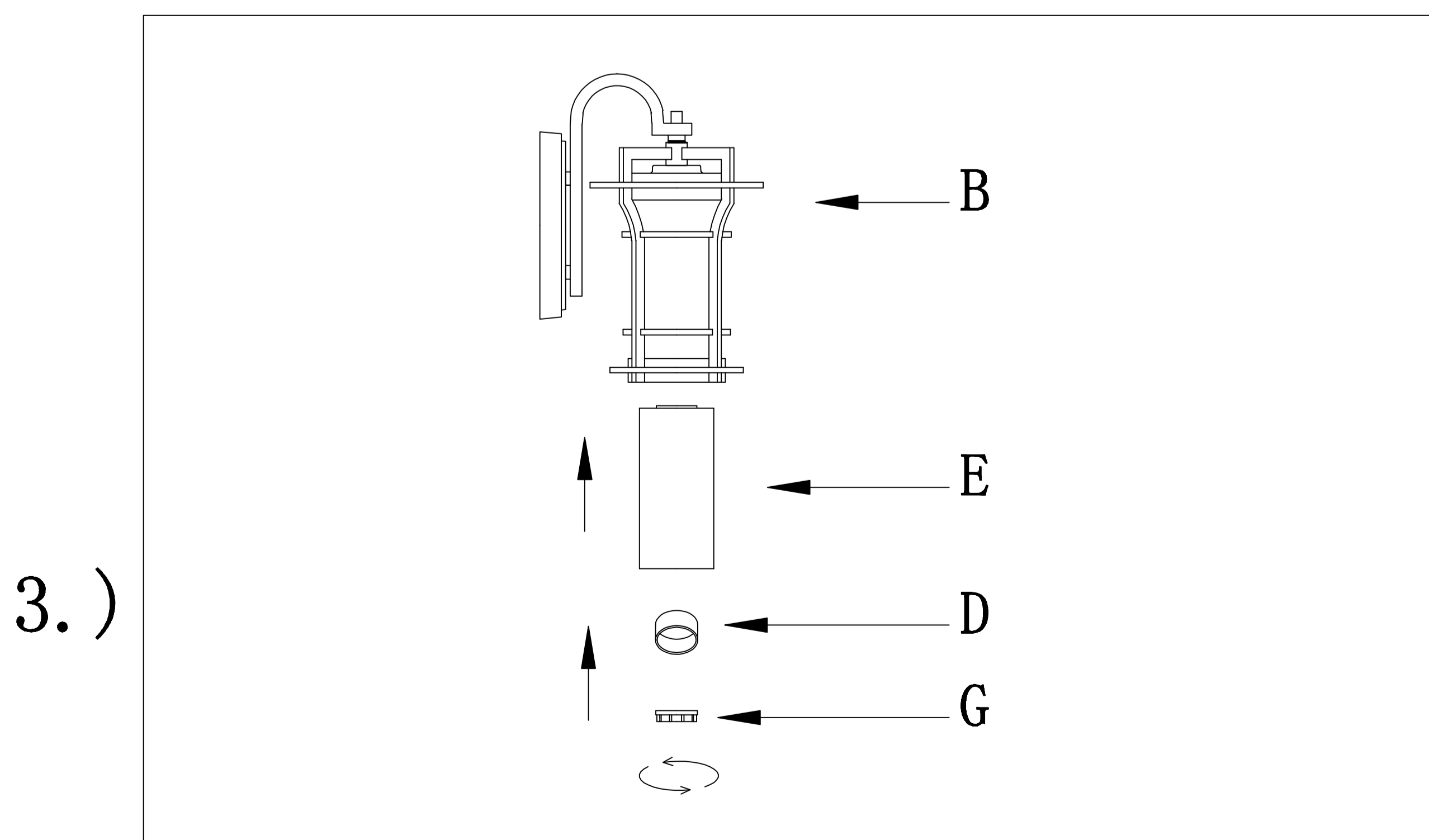
2.)

Step.2: Attach back plate to mounting bracket and tighten ball nuts so fixture meets wall. Caulk fixture where back plate meets the wall with silicone sealant.



5.)

Step.5: Install GU24 LED bulb(H)



3.)

Step.3: Install the inside glass(E) to fixture(B); install the casing(D) and the screw ring(G) to fixture; Tighten the screw ring.

Cleaning & Care:

Clean with soft cloth and a mild detergent.  
 Do not use abrasive cleaner.

MADE IN CHINA