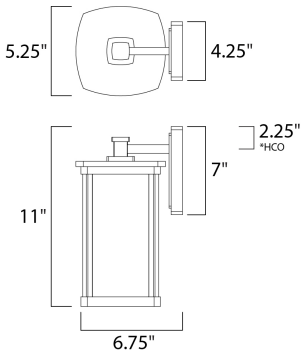




**PRODUCT DESCRIPTION**



\*height from center of outlet to the top of the fixture

**MEASUREMENTS**

DIMENSION : 5.25" W x 11" H x 6.75" Ext  
 BACK PLATE : 4.25" W x 7" H x 2.25" HCO  
 HANGING WEIGHT : 3.6 lb

**LAMPING**

INPUT VOLTAGE : 120V  
 LUMENS : 800 Rated  
 BULB : 1 x 9W LED E26 Medium , 9W Total  
 BULB INCLUDED : (Included)  
 DIMMABLE : Triac CL  
 CRI : 90+ CRI  
 COLOR\_TEMP : 3000K

**FINISHES OPTION**

 Bronze

**GLASS**

Seedy and Wilshire CDWS

**MATERIAL**

Die Cast Aluminum, Glass

**RATINGS**

cETLus  
 Wet Location  
 JA8 Bulb In



**ADDITIONAL**

INCANDESCENT WATTS:  
 RATED LIFE 25000 Hours  
 OPERATING TEMPERATURE:  
 -20°C (-4°F), 40°C (104°F)

Always consult a qualified electrician before installing any lighting product.

