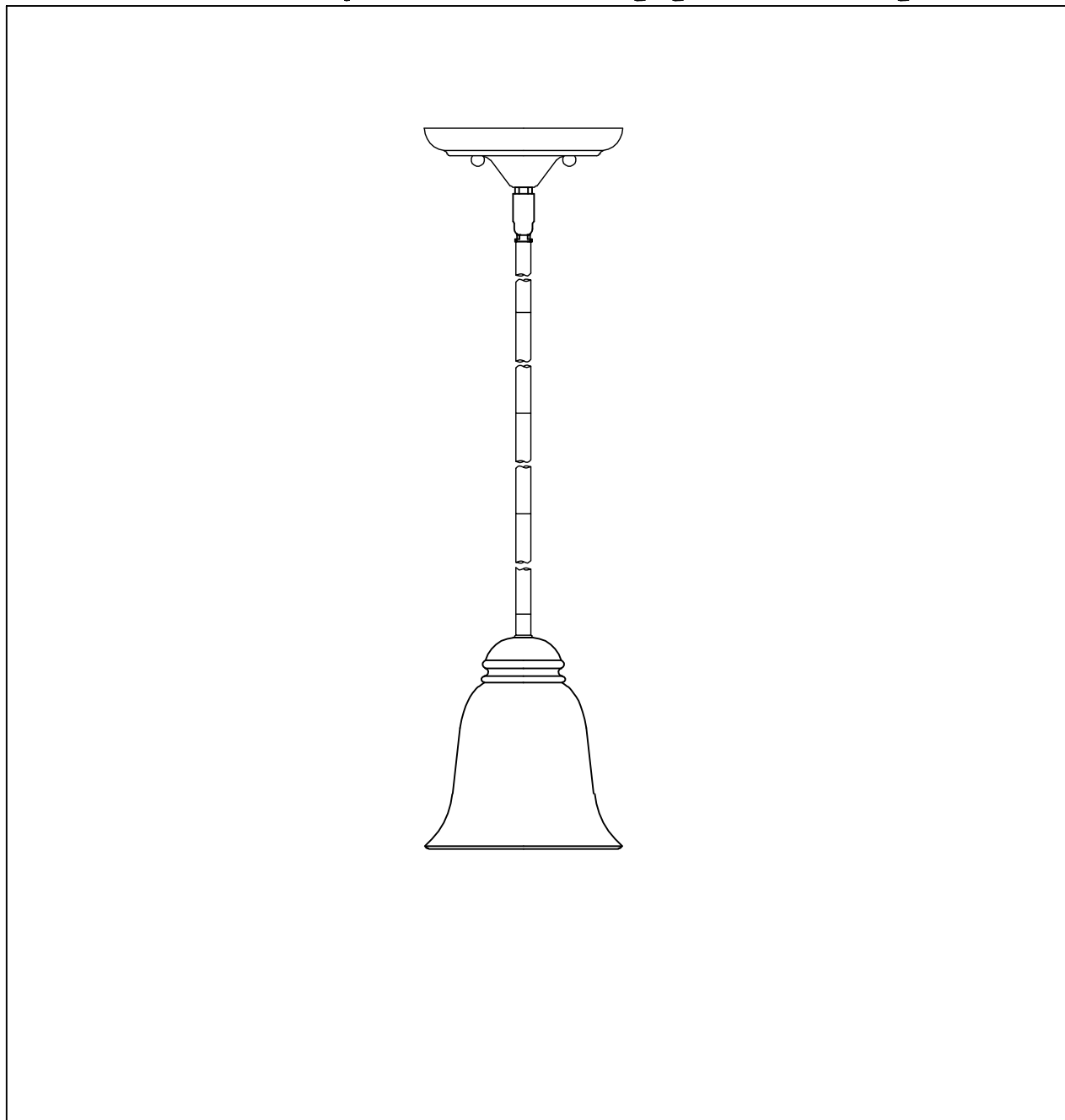




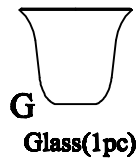
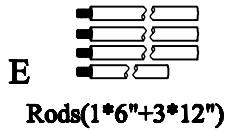
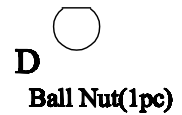
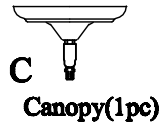
**PRODUCT NAME: Basix 1-Light Mini Pendant**  
**ITEM NUMBER: 91011/46397554**

**Please consult your electrician for hanging fixture and wiring.**

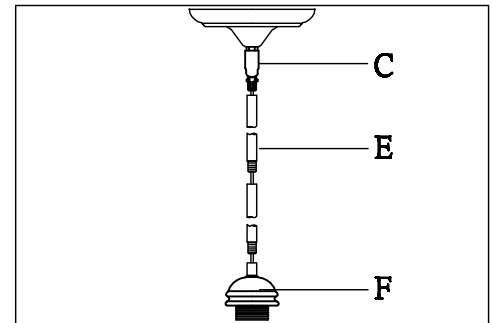
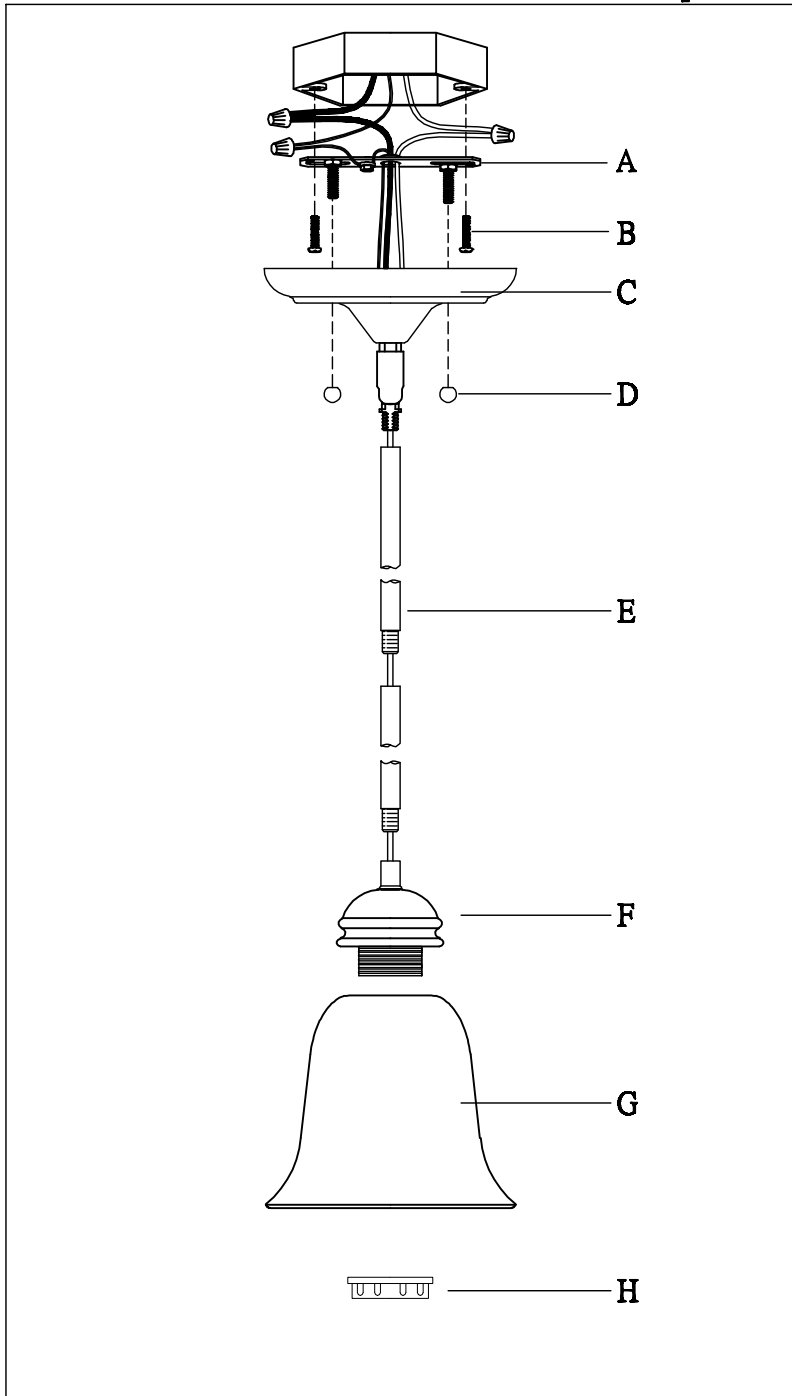


**Bulb(not included): 1-60 Watt Medium Base Bulb**

**IMPORTANT: Turn off the power at the main fuse or circuit breaker box before starting installation**

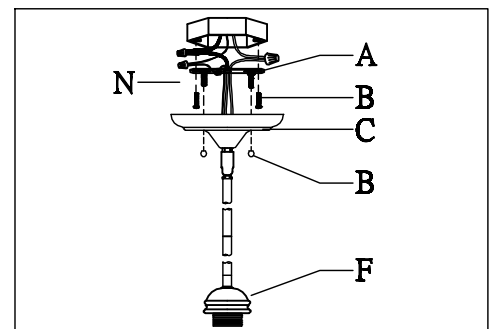


**Locate all hardware & components before discarding packaging**



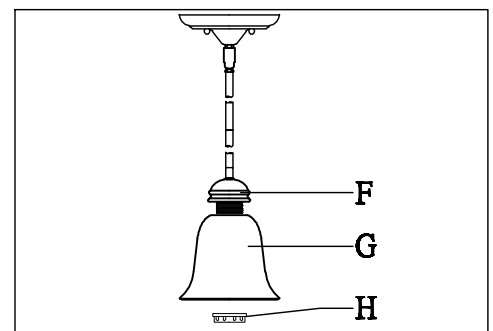
1.)

**Step1: Carefully remove packaging from fixture. Run wire through stems (E) and combine stem lengths to meet desired mounting height. Then attach canopy (C) to fixture.**



2.)

**Step2: Remove mounting bracket(A) from canopy. Install fixture to bracket and tighten ball nuts(B) on the canopy to secure.**



3.)

**Step3: Attached the glass shade(G) with Socket Ring(H)**

**Cleaning & Care:**

**Clean with soft cloth and a mild detergent. Do not use abrasive cleaner.**