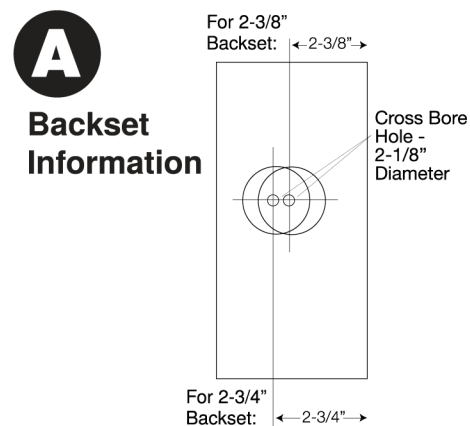


# Rosette Door Hardware Installation Instructions

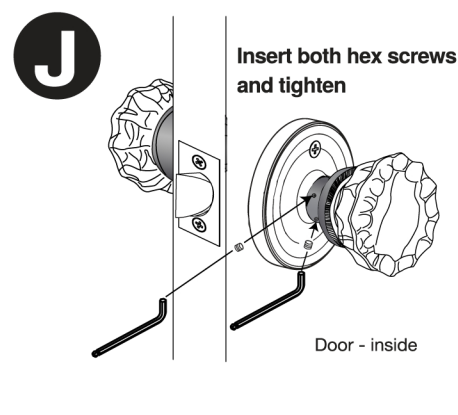
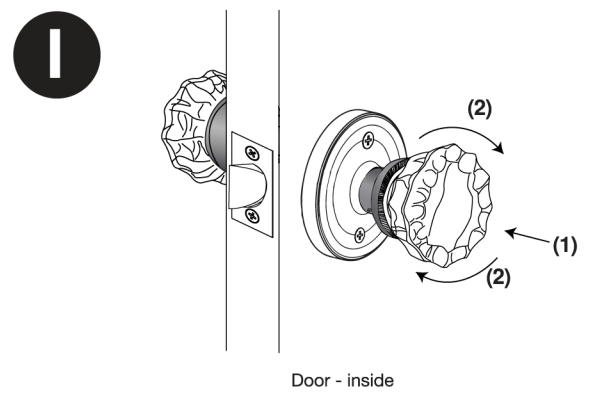
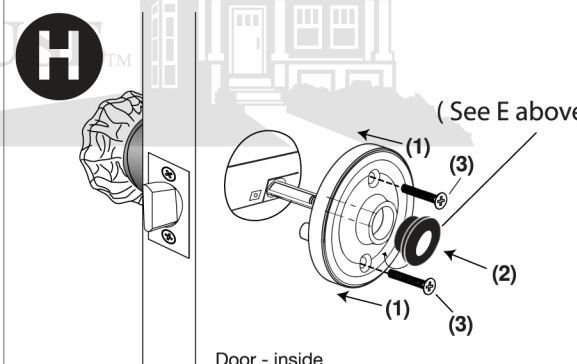
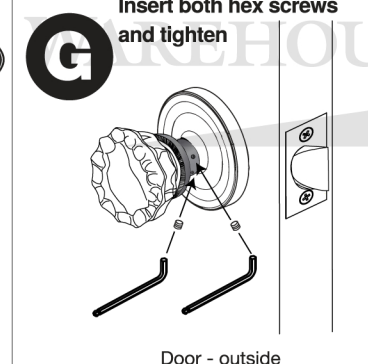
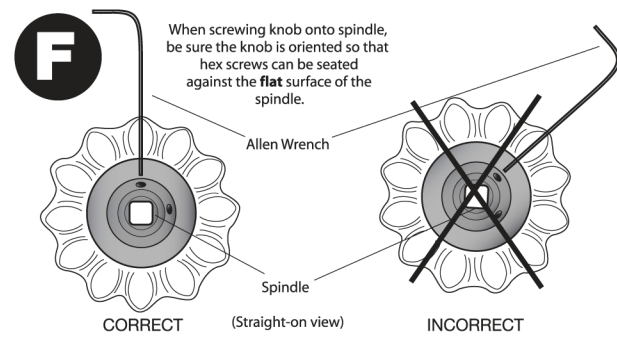
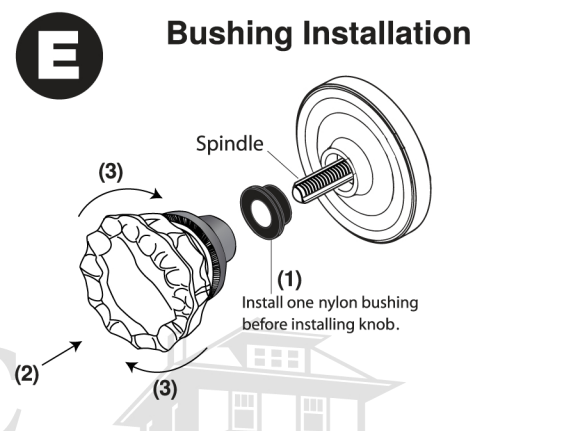
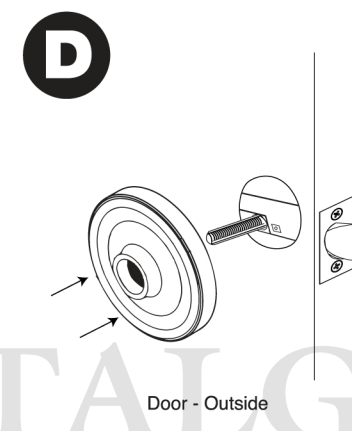
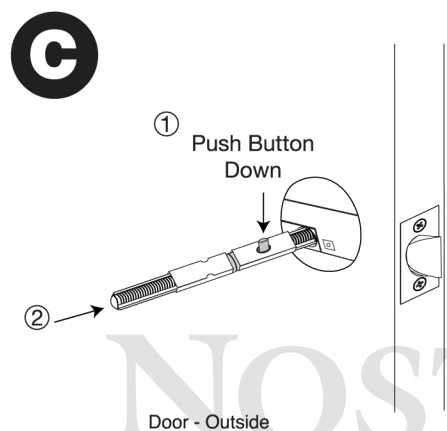
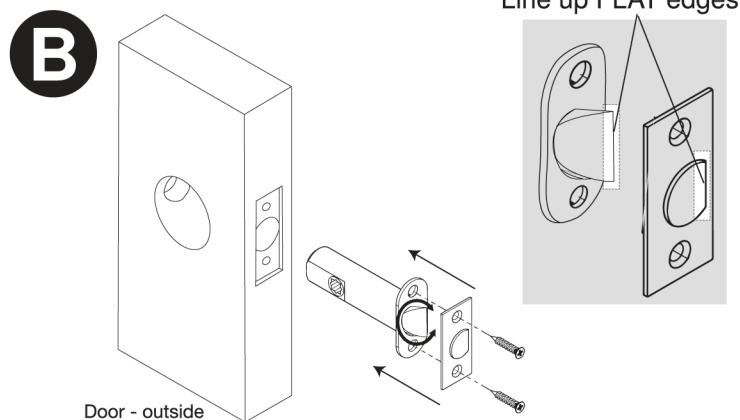
Updated March 2016

## Passage & Privacy

Note: Passages and privacies fit doors 1-3/8" to 1-3/4" thick



**NOTE:**  
DRILLING  
TEMPLATES ON  
SEPARATE  
INCLUDED  
SHEET



**NOTE:**  
If knobs do not turn freely, loosen one knob and rotate counter clockwise for 1/4 turn, then re-tighten the hex screws. Repeat if necessary.