



NOTE: Template may not be true-to-size. Please use for reference purposes only. DO NOT drill until measurements are verified.



INSTALLATION INSTRUCTIONS FOR
OMNIA TRADITIONS LATCHSETS
FOR 45mm & 55mm SURFACE MOUNTED ROSES

This set WILL NOT cover a 2 1/8" pre-bored door

1. Using template, mark all points for drilling. Use correct backset for latch. **For 1 3/4" and 2" diameter roses or narrow plates, drill 3/4" diameter hole. Do Not drill a 2 1/8" bore.**
2. Using 1" bit, drill from door edge through the door to accommodate latch length.
3. With face cover in place, position latch and mark perimeter of latch faceplate on door edge. Mortise to accommodate latch face and face cover, 5/32" deep.
4. When installing the latch, hold latch with writing facing upwards.
5. Apply faceplate to latch with flat side of faceplate facing flat side of bolt (see Figure #1 on reverse side). Position latch and faceplate in door to suit the door swing. Rotate if necessary, using slight pressure. Screw latch and faceplate to door.

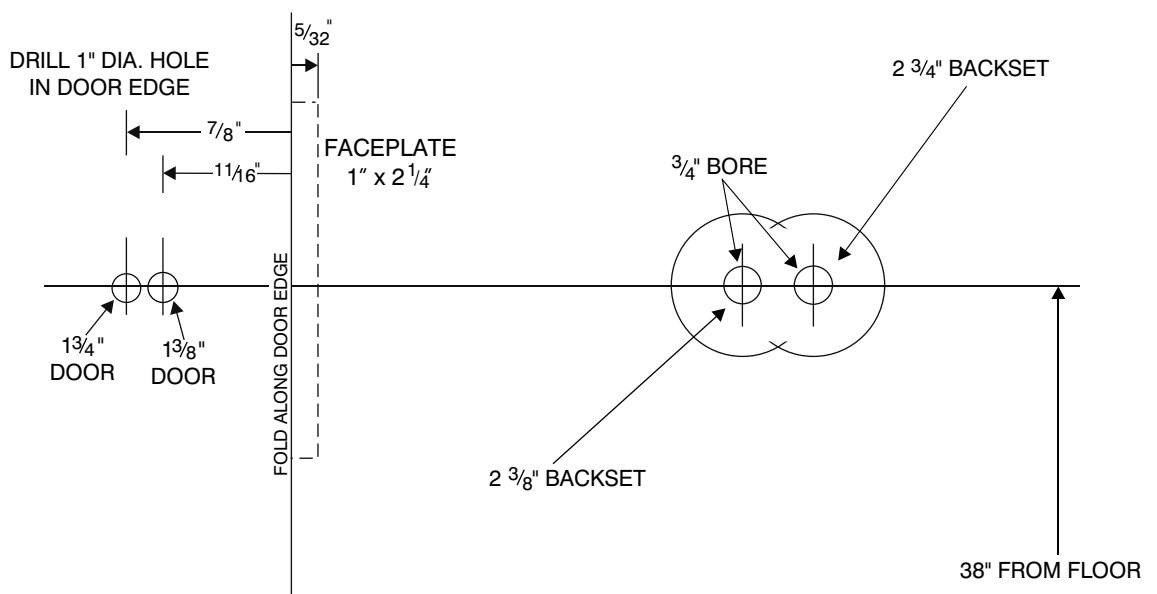
INSTALLING ROSES:

6. Insert spindle through latch hub with the slot of the spindle facing the hinges (for levers) or downwards (for knobs). Place sub-roses (3B) onto spindle (6) on both sides of the door. Slide levers/knobs onto the spindle (6). Mark each sub-rose for three screw holes with pencil, then drill pilot holes. Remove levers/knobs and fasten sub-rose to the door with wood screws (4). Apply cover roses (3A) on both sides of door.
7. Slide nylon washers (10) onto shank of levers/knobs. Slide levers/knobs onto roses until securely seated inside of roses. Insert the set screws (2) into the levers/knobs and fasten to the spindle.

Your OMNIA Dealer/Distributor can help you with any further questions or information on other OMNIA Products.

CAUTION: DOOR AND FRAME MANUFACTURERS
When door gasketing or silencers are used, proper allowances must be made for strike location to maintain a common centerline with lock and door so that the bolt will freely enter strike.

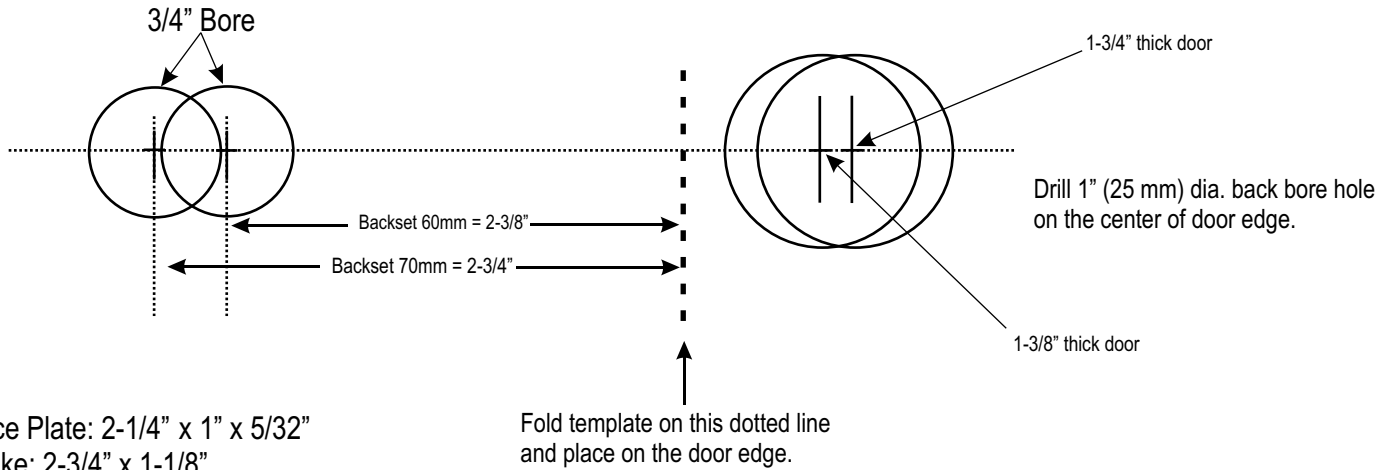
TUBULAR LATCH TEMPLATE



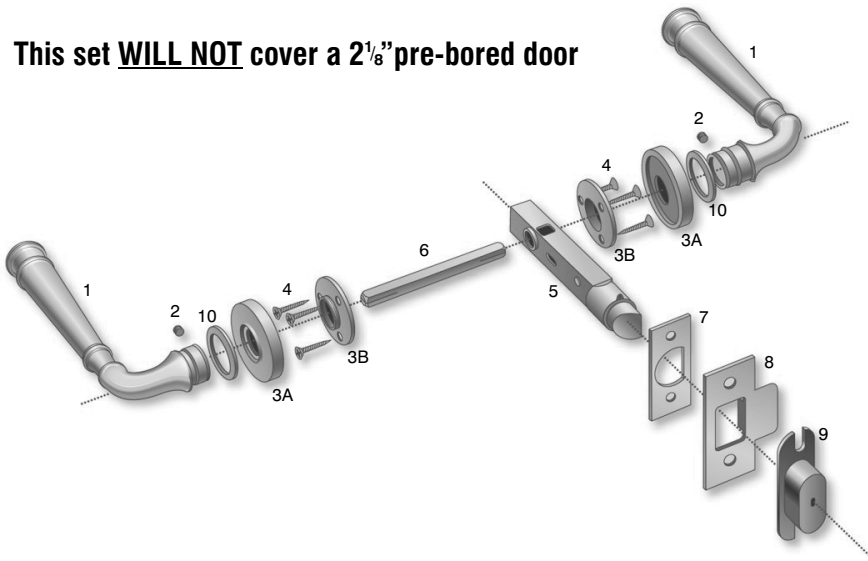
This set WILL NOT cover a 2 1/8" pre-bored door

NOTE: Template may not be true-to-size. Please use for reference purposes only. DO NOT drill until measurements are verified.

INSTALLATION OF SEPARATE PRIVACY BOLT



This set **WILL NOT** cover a 2 1/8" pre-bored door

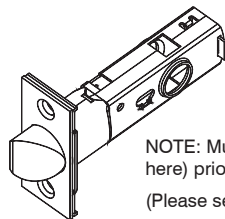
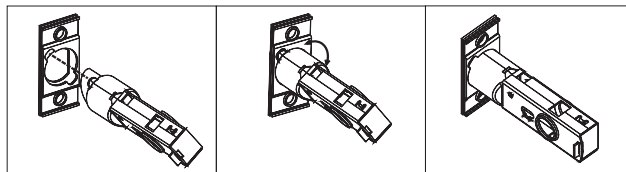


Latchset Component List

1. Door knob/lever (2)
2. Set screws (2)
- 3A. Finished rose (2)
- 3B. Unfinished brass sub-rose (2)
4. Wood screws (6)
5. Tubular latch
6. Spindle (teardrop groove positioned towards set screw)
7. Tubular latch faceplate
8. Tubular latch strike plate
9. Tubular latch dust box
10. Nylon washers (2)

ATTACHING LATCH TO FACEPLATE

Figure #1



NOTE: Must attach faceplate to latch (as shown here) prior to installing latch in door.
(Please see Figure #2 regarding privacy latch.)



CEDAR GROVE, NJ 07009



OMTRAD-TLC
02/10/2020