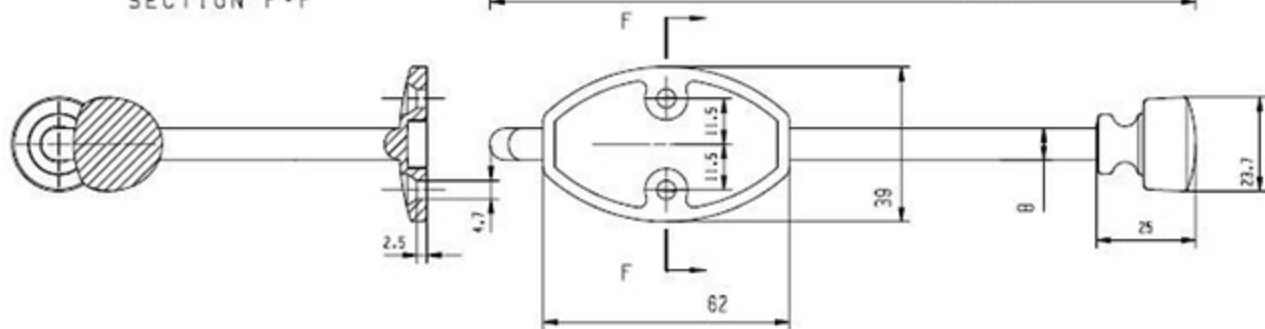
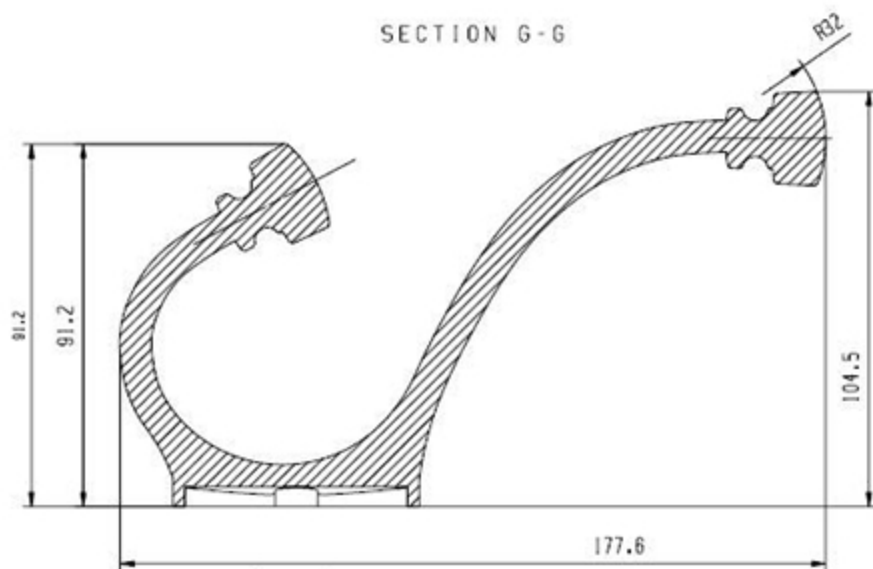


SECTION G-G



SECTION F-F



BP71134184