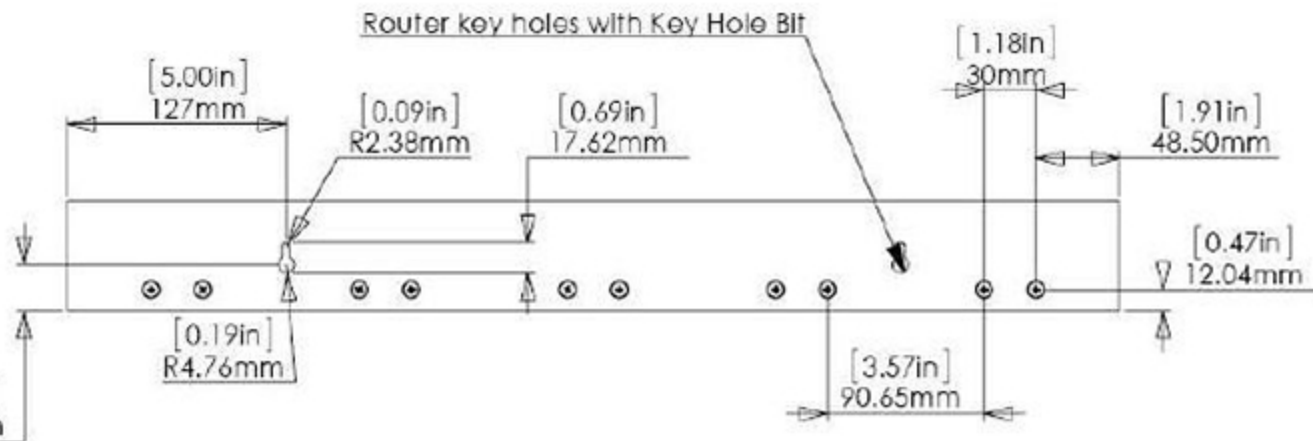


SECTION F-F
SCALE 1 : 1



$[1.04\text{in}]$
26.51mm

