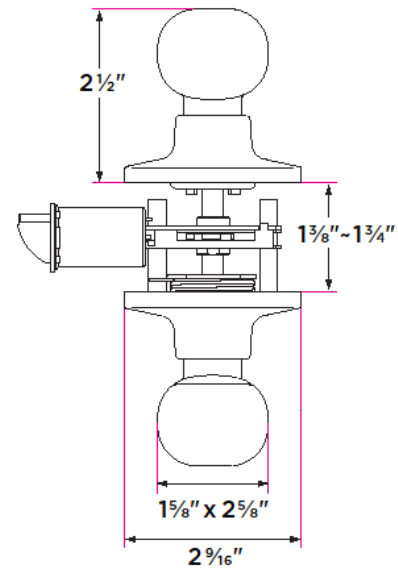


## Arapaho Knob



DESCRIPTION	PRODUCT CODE	CASE
Passage (hall/closet) Both sides always free	AR101	24
Privacy (bed/bath) Locked by finger turn. Unlocked by finger turn or coin slot from the outside	AR102	24
Entry-Locked/unlocked by inside finger turn or outside key	AR107	24
Entry and Deadbolt Combo	AR107/DB	12
Dummy (closet) Inactive, single-sided, mount with thru bolt	AR100	24
Handleset Interior Trim	AR100-H	24

### Finishes

- 15 Satin Nickel
- 15A Antique Nickel
- FBL Flat Black
- 11P Vintage Bronze

### Door Handing

Non-handed

### Door Thickness

1 3/8" to 1 3/4"

### Key Cylinder

- 5 Pin KW1
- 5 Pin SC1 option

### Strike Plate

2 1/4" x 1 3/4" full lip radius corner standard

### Latch

Adjustable 2 3/8" - 2 3/4" backset  
 1/2" throw bolt  
 2 1/4" x 1" radius corner faceplate or 4 way drive-in latch

### Door Prep

Crossbore 2 1/8"  
 Edgebore 1"

### Materials

Formed Brass  
 All metal parts