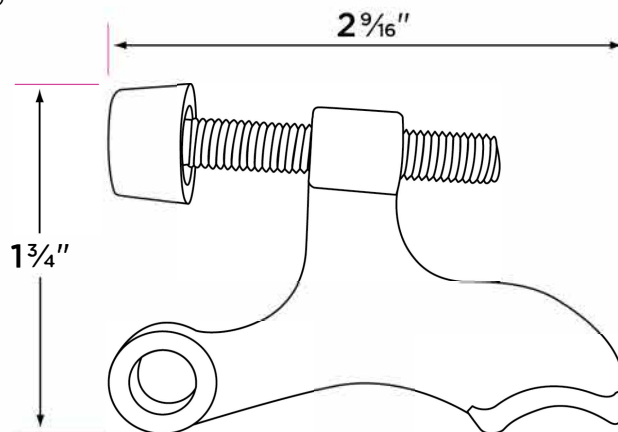


## Heavy Duty Hinge Pin Stop



DS10



DESCRIPTION

PRODUCT  
CODE

CASE/CARTON

Heavy Duty Hinge Pin Stop

DS10

100bx/500ctn

### Finishes

15 Satin Nickel

15A Antique Nickel

26 Polished Chrome

FBL Flat Black

SB Satin Brass

### Screws

Installation hardware included

### Material

Zinc