

## Lugano Series



### Materials

Pivot paper holder, solid brass towel ring, towel bar tube: brass

Paper holder, towel ring, towel bar posts, robe hook: zinc

### Specifications

2 3/4" extension from wall

2 1/4" base

Concealed screw mounting with straight standard head fixing screw

Plated steel mounting brackets with two screws each

Nylon drywall screws included

### Finishes

15 Satin Nickel

26 Polished Chrome

FBL Flat Black

SB Satin Brass

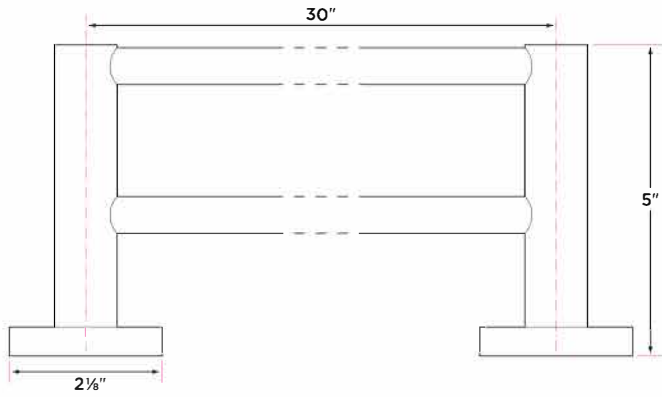
DESCRIPTION	PRODUCT CODE	CASE
<b>24" Towel Bar</b>	LG-TB24	20
<b>30" Towel Bar</b>	LG-TB30	20
<b>30" Double Towel Bar*</b>	LG-TB30-2	20
<b>Towel Ring</b>	LG-TR1	30
<b>Solid Brass Towel Ring</b>	LG-TR2	30
<b>Single Post Paper Holder</b>	LG-PH1	30
<b>Two Post Pivot Paper Holder</b>	LG-PH2PV	30
<b>Robe Hook</b>	LG-RH1	30

\*LG-TB30-2 available in 15 Satin Nickel only

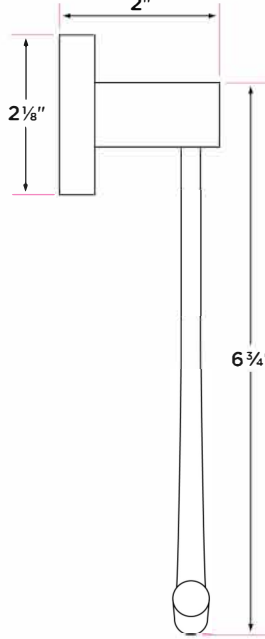


# Spec Sheet

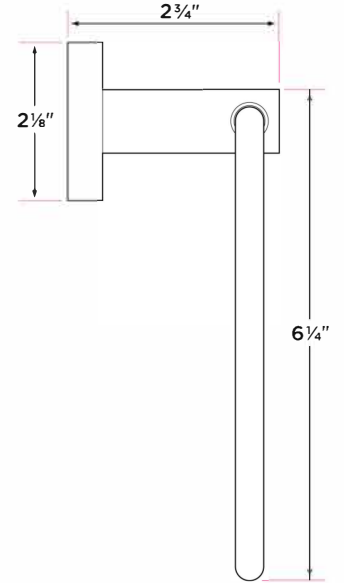
LG-TB30-2



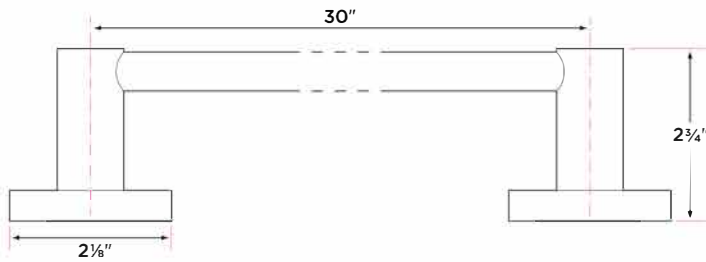
LG-TR2



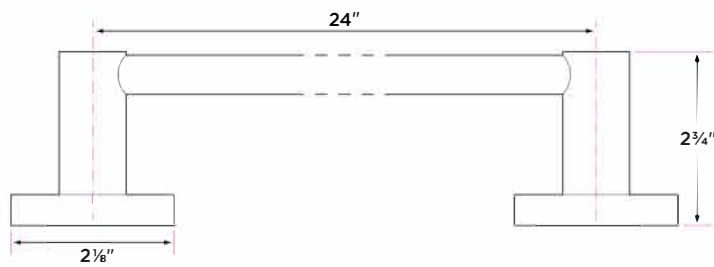
LG-TR1



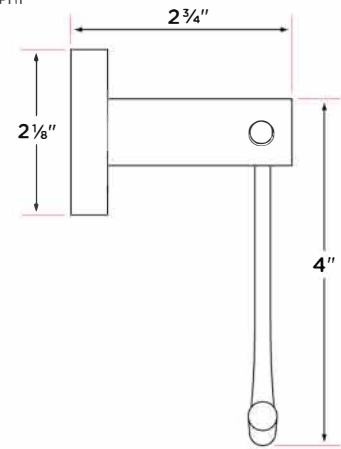
LG-TB30



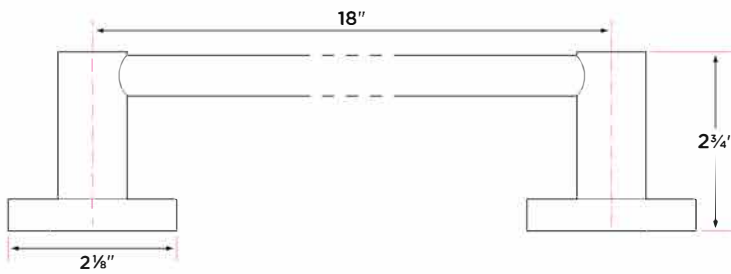
LG-TB24



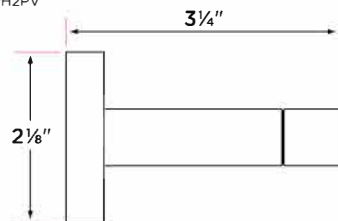
LG-PH1



LG-TB18



LG-PH2PV



LG-RH1

