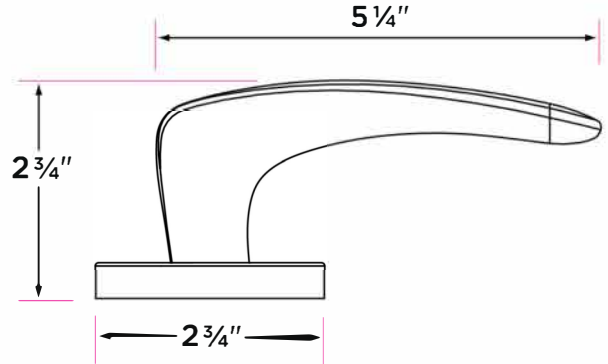


## Torino 28° Lever



DESCRIPTION	PRODUCT CODE	CASE
Passage (hall/closet) Both sides always free	TR101	12
Privacy (bed/bath) Locked by push pin. Unlocked by push pin, lever turn, or emergency pin outside	TR102	12
Dummy (closet) Inactive, single-sided, flush mount with two wood screws	TR100	12
Handleset Interior Trim	TR100-H	12

### Finishes

- 15 Satin Nickel
- 26 Polished Chrome

### Door Handing

Non-handed

### Door Thickness

1 3/8" to 2"

### Key Cylinder

No entry function

### Strike Plate

2 1/4" x 1 3/4" full-lip radius corner standard

### Latch

- 2 1/4" x 1" radius corner faceplate
- Non-adjustable 2 3/8" or 2 3/4"
- 28 degree turn radius
- 1/2" throw bolt
- Split Spindle - both sides operate independently

### Door Prep

- Crossbore 2 1/8"
- Edgebore 1"

### Materials

All metal parts