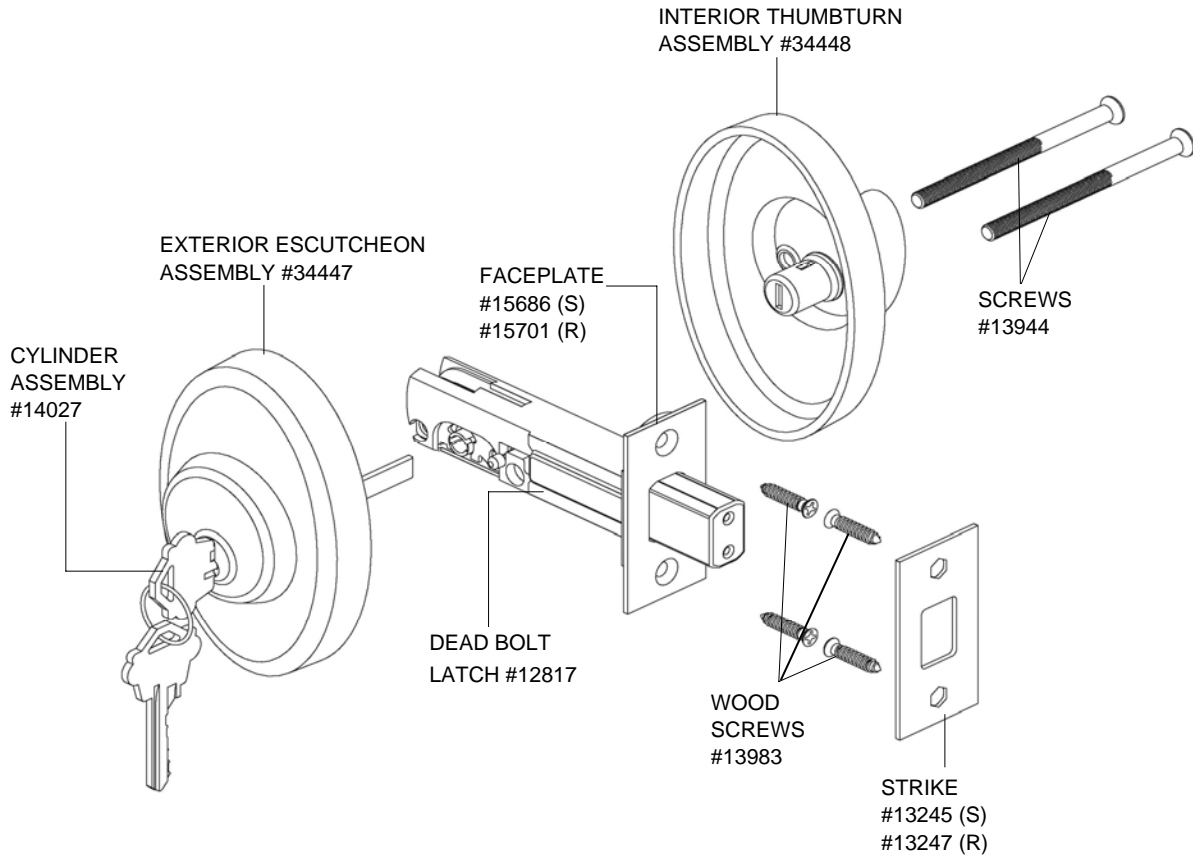


Oval

2771 Single Cylinder



Note: Assembly Screws accommodate standard door thickness 1 3/8" to 2" (35-51 mm)

* Finishes available: (N, 1, P)

Cylinder Assembly			Deadbolt Latch	
	Single	Double	Dummy	
Cylinder Assembly	14027	14746	N/A	1" Latch Throw
Cylinder Tailpiece	14568	14745	N/A	Convertible Backset 2 3/8" to 2 3/4" (60-70 mm)
Cylinder Retaining Screw	13910	13910	13910	
Cylinder Cap	14247	14247	14247	
Cylinder Pin Drive	14041	14041	14041	
				Latch & Strike Screws
				Wood Door & Jamb (8 Each) 13983
				Metal Door & Jamb (8 Each) 13903
				3" Wood Screw (2 Each) 13969