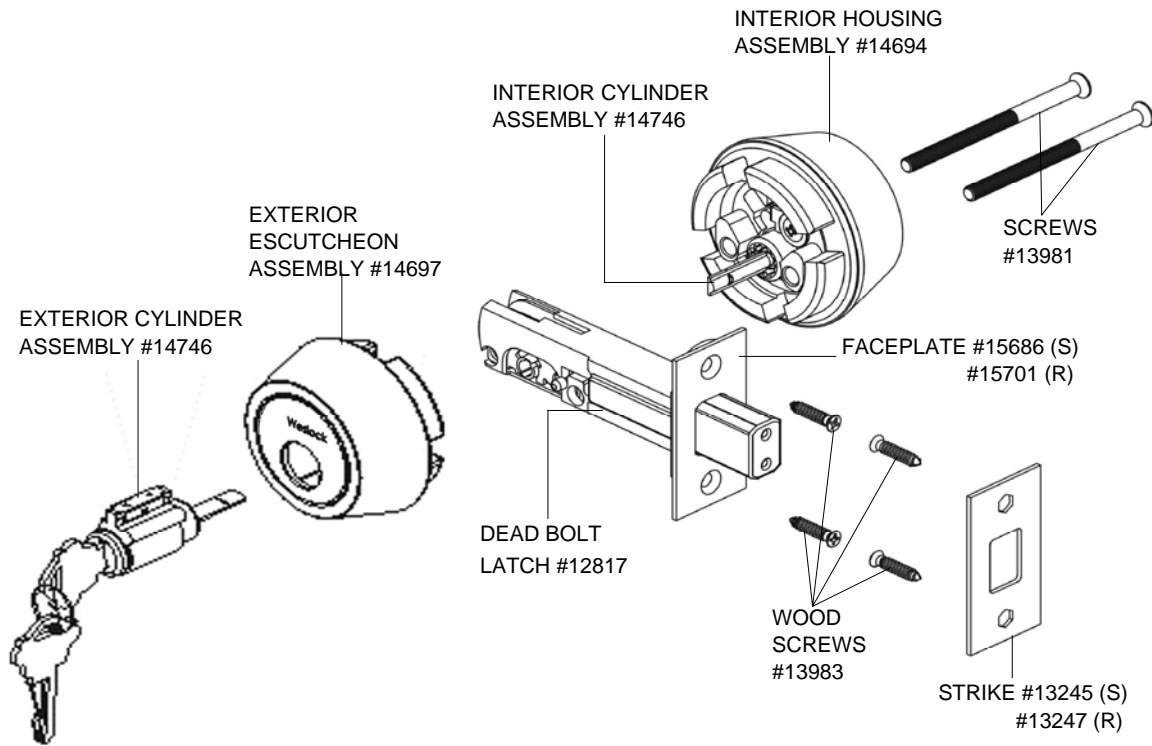


Heavy Duty

672

Double Cylinder



* Rotating Collar

* Finishes available: See Price Book

Note: Assembly Screws accommodate standard door thickness 1 3/8" to 2" (35-51 mm)

Deadbolt Latch	
1" Latch Throw	
Convertible Backset 2 3/8" to 2 3/4" (60-70 mm)	

Cylinder Assembly				Latch & Strike Screws	
	Single	Double	Dummy		
Cylinder Assembly	14027	14746	N/A	Wood Door & Jamb (8 Each)	13983
Cylinder Tailpiece	14568	14745	N/A	Metal Door & Jamb (8 Each)	13903
Cylinder Retaining Screw	13910	13910	13910		
Cylinder Cap	14247	14247	14247	3" Wood Screw (2 Each)	13969
Cylinder Pin Drive	14041	14041	14041		